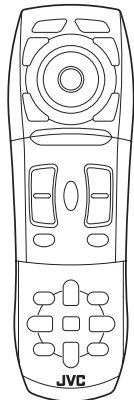


JVC

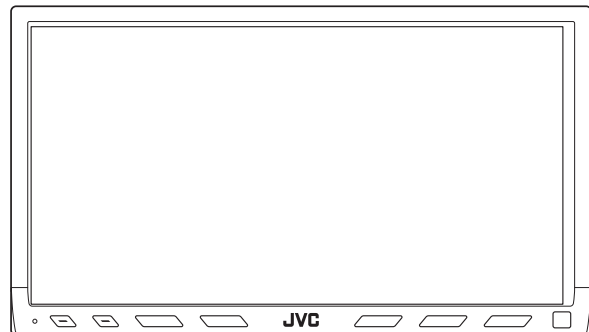
SERVICE MANUAL

DVD RECEIVER WITH MONITOR

KW-AVX800J, KW-AVX800E, KW-AVX800EU, KW-AVX800EE, KW-AVX800U, KW-AVX800UN, KW-AVX800A



EXAD



Lead free solder used in the board (material : Sn-Ag-Cu, melting point : 219 Centigrade)
Lead free solder used in the board (material : Sn-Cu, melting point : 230 Centigrade)

TABLE OF CONTENTS

1	PRECAUTION	1-5
2	SPECIFIC SERVICE INSTRUCTIONS	1-8
3	DISASSEMBLY	1-9
4	ADJUSTMENT	1-24
5	TROUBLESHOOTING	1-37

SPECIFICATION

KW-AVX800J

AMPLIFIER		
Power Output	20 W RMS × 4 Channels at 4 Ω and [$<$ or $=$] 1% THD+N	
Signal-to-Noise Ratio	80 dBA (reference: 1 W into 4 Ω)	
Load Impedance	4 Ω (4 Ω to 8 Ω allowance)	
Equalizer Control Range	Frequencies	60 Hz, 150 Hz, 400 Hz, 1 kHz, 2.5 kHz, 6.3 kHz, 15 kHz
	Level	±10 dB
Audio Output Level LINE OUT (FRONT/REAR)/CENTER OUT/SUBWOOFER	Line-Out Level/Impedance	5.0 V/20 kΩ load (full scale)
	Output Impedance	1 kΩ
Color System	NTSC	
Video Output (composite)	1 V _{p-p} /75 Ω	
Other Terminals	Input	LINE IN, VIDEO IN, CAMERA IN, USB input terminal, Antenna input
	Output	2nd AUDIO OUT, VIDEO OUT
	Others	CD changer, OE REMOTE
FM/AM TUNER		
Frequency Range	FM (with channel interval set to 100 kHz or 200 kHz)	87.5 MHz to 107.9 MHz
	FM (with channel interval set to 50 kHz)	87.5 MHz to 108.0 MHz
	AM (with channel interval set to 10 kHz)	530 kHz to 1 710 kHz
	AM (with channel interval set to 9 kHz)	531 kHz to 1 602 kHz
FM Tuner	Usable Sensitivity	11.3 dBf (1.0 μV/75 Ω)
	50 dB Quieting Sensitivity	16.3 dBf (1.8 μV/75 Ω)
	Alternate Channel Selectivity (400 kHz)	65 dB
	Frequency Response	40 Hz to 15 000 Hz
	Stereo Separation	35 dB
AM Tuner	Sensitivity/Selectivity	20 μV/35 dB
DVD/CD		
Signal Detection System	Non-contact optical pickup (semiconductor laser)	
Frequency Response	DVD, fs=48 kHz	16 Hz to 22 000 Hz
	DVD, fs=192 kHz	16 Hz to 88 000 Hz
	VCD/CD	16 Hz to 20 000 Hz
Dynamic Range	93 dB	
Signal-to-Noise Ratio	95 dB	
Wow and Flutter	Less than measurable limit	
SD		
Compatible File System	FAT 32/16/12	
Capacity	8 Mbytes to 2 Gbytes	
Data Transfer Rate	Maximum 10 Mbps	
USB		
USB Standards	USB 1.1	
Data Transfer Rate	Full Speed	Maximum 12 Mbytes
	Low Speed	Maximum 1.5 Mbytes
Compatible Device	Mass storage class	
Compatible File System	FAT 32/16/12	
Max. Current	Less than 500 mA/5V	
MONITOR		
Screen Size	7 inch wide liquid crystal display	
Number of Pixel	336 960 pixels: 480 × 3 (horizontal) × 234 (vertical)	
Drive Method	TFT (Thin Film Transistor) active matrix format	
Color System	NTSC/PAL	
Aspect Ratio	16:9 (wide)	
GENERAL		
Power Requirement	Operating Voltage	DC 14.4 V (11 V to 16 V allowance)
Grounding System	Negative ground	
Allowable Storage Temperature	-10°C to +60°C (14°F to 140°F)	
Allowable Operating Temperature	0°C to +40°C (32°F to 104°F)	
Dimensions (W × H × D) With trim plate and sleeve attached	Installation Size (approx.)	182 mm × 111 mm × 160 mm (7-3/16" × 4-3/8" × 6-5/16")
	Panel Size (approx.)	188 mm × 117 mm × 10 mm (7-7/16" × 4-5/8" × 7/16")
Mass (approx.)	3 kg (6.7 lbs) (including trims and sleeve)	

Design and specifications are subject to change without notice.

KW-AVX800E, KW-AVX800EU, KW-AVX800EE

AMPLIFIER		
Maximum Power Output	Front/Rear	50 W per channel
Continuous Power Output (RMS)	Front/Rear	20 W per channel into 4 Ω , 40 Hz to 20 000 Hz at no more than 0.8% total harmonic distortion
Load Impedance		4 Ω (4 Ω to 8 Ω allowance)
Equalizer Control Range	Frequencies	60 Hz, 150 Hz, 400 Hz, 1 kHz, 2.5 kHz, 6.3 kHz, 15 kHz
	Level	± 10 dB
Signal-to-Noise Ratio		70 dB
Audio Output Level LINE OUT (FRONT/REAR)/CENTER OUT/ SUBWOOFER	Line-Out Level/Impedance	5.0 V/20 k Ω load (full scale)
	Output Impedance	1 k Ω
Color System		PAL
Video Output (composite)		1 V _{p-p} /75 Ω
Other Terminals	Input	LINE IN, VIDEO IN, CAMERA IN, USB input terminal, Aerial input
	Output	2nd AUDIO OUT, VIDEO OUT
	Others	CD changer, OE REMOTE
FM/AM TUNER		
Frequency Range	FM	87.5 MHz to 108.0 MHz
	AM	(MW) 522 kHz to 1 620 kHz (LW) 144 kHz to 279 kHz
FM Tuner	Usable Sensitivity	11.3 dBf (1.0 μ V/75 Ω)
	50 dB Quieting Sensitivity	16.3 dBf (1.8 μ V/75 Ω)
	Alternate Channel Selectivity (400 kHz)	65 dB
	Frequency Response	40 Hz to 15 000 Hz
	Stereo Separation	35 dB
MW Tuner	Sensitivity/Selectivity	20 μ V/35 dB
LW Tuner	Sensitivity	50 μ V
DVD/CD		
Signal Detection System		Non-contact optical pickup (semiconductor laser)
Frequency Response	DVD, fs=48 kHz	16 Hz to 22 000 Hz
	DVD, fs=192 kHz	16 Hz to 88 000 Hz
	VCD/CD	16 Hz to 20 000 Hz
Dynamic Range		93 dB
Signal-to-Noise Ratio		95 dB
Wow and Flutter		Less than measurable limit
SD		
Compatible File System		FAT 32/16/12
Capacity		8 Mbytes to 2 Gbytes
Data Transfer Rate		Maximum 10 Mbps
USB		
USB Standards		USB 1.1
Data Transfer Rate	Full Speed	Maximum 12 Mbytes
	Low Speed	Maximum 1.5 Mbytes
Compatible Device		Mass storage class
Compatible File System		FAT 32/16/12
Max. Current		Less than 500 mA/5V
MONITOR		
Screen Size		7 inch wide liquid crystal display
Number of Pixel		336 960 pixels: 480 \times 3 (horizontal) \times 234 (vertical)
Drive Method		TFT (Thin Film Transistor) active matrix format
Color System		NTSC/PAL
Aspect Ratio		16:9 (wide)
GENERAL		
Power Requirement	Operating Voltage	DC 14.4 V (11 V to 16 V allowance)
Grounding System		Negative ground
Allowable Storage Temperature		-10°C to +60°C
Allowable Operating Temperature		0°C to +40°C
Dimensions (W \times H \times D) With trim plate and sleeve attached	Installation Size (approx.)	182 mm \times 111 mm \times 160 mm
	Panel Size (approx.)	188 mm \times 117 mm \times 10 mm
Mass (approx.)		3 kg (including trims and sleeve)

Design and specifications are subject to change without notice.


KW-AVX800U, KW-AVX800UN, KW-AVX800A


AMPLIFIER		
Maximum Power Output	Front/Rear	50 W per channel
Continuous Power Output (RMS)	Front/Rear	20 W per channel into 4 Ω , 40 Hz to 20 000 Hz at no more than 0.8% total harmonic distortion
Load Impedance		4 Ω (4 Ω to 8 Ω allowance)
Equalizer Control Range	Frequencies	60 Hz, 150 Hz, 400 Hz, 1 kHz, 2.5 kHz, 6.3 kHz, 15 kHz
	Level	\pm 10 dB
Signal-to-Noise Ratio		70 dB
Audio Output Level LINE OUT (FRONT/REAR)/CENTER OUT/ SUBWOOFER	Line-Out Level/Impedance	5.0 V/20 k Ω load (full scale)
	Output Impedance	1 k Ω
Color System		NTSC/PAL
Video Output (composite)		1 V _{p-p} /75 Ω
Other Terminals	Input	LINE IN, VIDEO IN, CAMERA IN, USB input terminal, Antenna input
	Output	2nd AUDIO OUT, VIDEO OUT
	Others	CD changer
FM/AM TUNER		
Frequency Range	FM	87.5 MHz to 108.0 MHz
	AM	531 kHz to 1 602 kHz
FM Tuner	Usable Sensitivity	11.3 dBf (1.0 μ V/75 Ω)
	50 dB Quieting Sensitivity	16.3 dBf (1.8 μ V/75 Ω)
	Alternate Channel Selectivity (400 kHz)	65 dB
	Frequency Response	40 Hz to 15 000 Hz
	Stereo Separation	35 dB
AM Tuner	Sensitivity/Selectivity	20 μ V/35 dB
DVD/CD		
Signal Detection System		Non-contact optical pickup (semiconductor laser)
Frequency Response	DVD, fs=48 kHz	16 Hz to 22 000 Hz
	DVD, fs=192 kHz	16 Hz to 88 000 Hz
	VCD/CD	16 Hz to 20 000 Hz
Dynamic Range		93 dB
Signal-to-Noise Ratio		95 dB
Wow and Flutter		Less than measurable limit
SD		
Compatible File System		FAT 32/16/12
Capacity		8 Mbytes to 2 Gbytes
Data Transfer Rate		Maximum 10 Mbps
USB		
USB Standards		USB 1.1
Data Transfer Rate	Full Speed	Maximum 12 Mbytes
	Low Speed	Maximum 1.5 Mbytes
Compatible Device		Mass storage class
Compatible File System		FAT 32/16/12
Max. Current		Less than 500 mA/5V
MONITOR		
Screen Size		7 inch wide liquid crystal display
Number of Pixel		336 960 pixels: 480 \times 3 (horizontal) \times 234 (vertical)
Drive Method		TFT (Thin Film Transistor) active matrix format
Color System		NTSC/PAL
Aspect Ratio		16:9 (wide)
GENERAL		
Power Requirement	Operating Voltage	DC 14.4 V (11 V to 16 V allowance)
Grounding System		Negative ground
Allowable Storage Temperature		-10°C to +60°C
Allowable Operating Temperature		0°C to +40°C
Dimensions (W \times H \times D)	Installation Size (approx.)	178 mm \times 100 mm \times 160 mm
	Panel Size (approx.)	171 mm \times 97 mm \times 21 mm
Mass (approx.)		2.7 kg (including trims and sleeve)

Design and specifications are subject to change without notice.

SECTION 1 PRECAUTION

1.1 Safety Precautions

 **CAUTION** Burrs formed during molding may be left over on some parts of the chassis. Therefore, pay attention to such burrs in the case of performing repair of this system.

 **CAUTION** Please use enough caution not to see the beam directly or touch it in case of an adjustment or operation check.

1.2 Preventing static electricity

Electrostatic discharge (ESD), which occurs when static electricity stored in the body, fabric, etc. is discharged, can destroy the laser diode in the traverse unit (optical pickup). Take care to prevent this when performing repairs.

1.2.1 Grounding to prevent damage by static electricity

Static electricity in the work area can destroy the optical pickup (laser diode) in devices such as laser products.

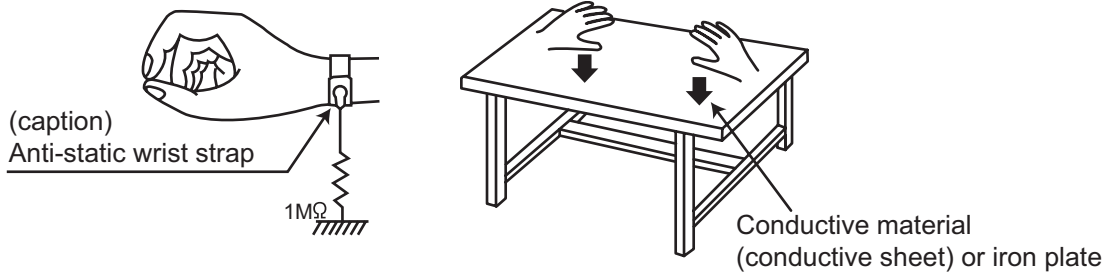
Be careful to use proper grounding in the area where repairs are being performed.

(1) Ground the workbench

Ground the workbench by laying conductive material (such as a conductive sheet) or an iron plate over it before placing the traverse unit (optical pickup) on it.

(2) Ground yourself

Use an anti-static wrist strap to release any static electricity built up in your body.



(3) Handling the optical pickup

- In order to maintain quality during transport and before installation, both sides of the laser diode on the replacement optical pickup are shorted. After replacement, return the shorted parts to their original condition. (Refer to the text.)
- Do not use a tester to check the condition of the laser diode in the optical pickup. The tester's internal power source can easily destroy the laser diode.

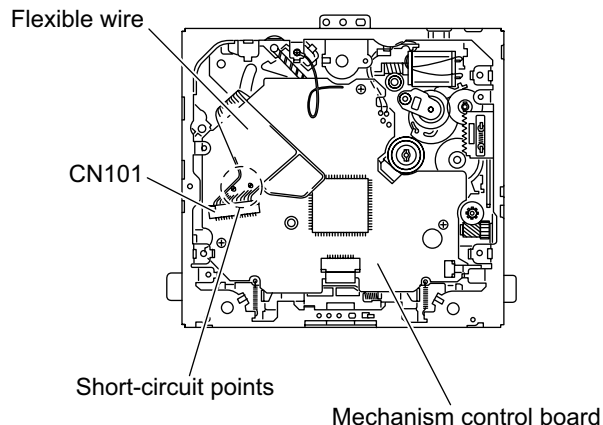
1.3 Handling the traverse unit (optical pickup)

- (1) Do not subject the traverse unit (optical pickup) to strong shocks, as it is a sensitive, complex unit.
- (2) Cut off the shorted part of the flexible cable using nippers, etc. after replacing the optical pickup. For specific details, refer to the replacement procedure in the text. Remove the anti-static pin when replacing the traverse unit. Be careful not to take too long a time when attaching it to the connector.
- (3) Handle the flexible cable carefully as it may break when subjected to strong force.
- (4) It is not possible to adjust the semi-fixed resistor that adjusts the laser power. Do not turn it.

1.4 Attention when traverse unit is decomposed

***Please refer to "Disassembly method" in the text for the pickup unit.**

- Apply solder to the short land before the card wire is disconnected from the connector on the pickup unit. (If the card wire is disconnected without applying solder, the pickup may be destroyed by static electricity.)
- In the assembly, be sure to remove solder from the short land after connecting the card wire.



1.5 Important for laser products

1. CLASS 1 LASER PRODUCT

2. CAUTION :

(For U.S.A.) Visible and/or invisible class II laser radiation when open. Do not stare into beam.
(Others) Visible and/or invisible class 1M laser radiation when open. Do not view directly with optical instruments.

3. CAUTION : Visible and/or invisible laser radiation when open and inter lock failed or defeated. Avoid direct exposure to beam.

4. CAUTION : This laser product uses visible and/or invisible laser radiation and is equipped with safety switches which prevent emission of radiation when the drawer is open and the safety interlocks have failed or are defeated. It is dangerous to defeat the safety switches.

(For U.S.A.)

CAUTION : Visible and/or invisible class II laser radiation when open. Do not stare into beam.

(Others)

CAUTION : Visible and/or invisible class 1M laser radiation when open. Do not view directly with optical instruments

ACHTUNG: Sichtbare und/oder unsichtbare Laserstrahlung der Klasse 1M bei offenen Abdeckungen. Nicht direkt mit optischen Instrumenten betrachten.

ATTENTION: Rayonnement laser visible et/ou invisible de classe 1M une fois ouvert. Ne pas regarder directement avec des instruments optiques.

VOORZICHTIG: Zichtbare en/of onzichtbare klasse 1M laserstralen indien geopend. Bekijk niet direct met optische instrumenten.

ATTENZIONE: Radiazione laser in classe 1M visibile e/o invisibile quando aperto. Non osservare direttamente con strumenti ottici.

WARNING: Synlig och/eller osynlig laserstrålning, klass 1M, när denna del är öppnad. Betrakta ej strålen med optiska instrument.

VARO! Avattaessa olet alttiina näkyvälle ja/tai näkymättömälle luokan 1M lasersäteilylle. Älä tarkastele sitä optisen laitteen läpi.

ADVARSEL: Synlig og/eller usynlig klasse 1M-laserstråling ved åbning. Se ikke direkte med optiske instrumenter.

AVISO: Radiación láser de clase 1M visible y/o invisible cuando está abierto. No mirar directamente con instrumental óptico.

PRECAUÇÃO: Radiação laser de classe 1M visível e/ou invisível quando aberto. Não olhe diretamente com instrumentos ópticos.

5. CAUTION : If safety switches malfunction, the laser is able to function.

6. CAUTION : Use of controls, adjustments or performance of procedures other than those specified here in may result in hazardous radiation exposure.



CAUTION Please use enough caution not to see the beam directly or touch it in case of an adjustment or operation check.

PRECAUÇÃO: Radiação laser de classe 1M visível e/ou invisível quando aberto. Não olhe diretamente com instrumentos ópticos.

ПРЕДУПРЕЖДЕНИЕ: В открытом состоянии происходит видимое и/или невидимое излучение лазера класса 1M. Не смотрите непосредственно в оптические инструменты.

UWAGA: Otwarcie spowoduje narażenie na widzialne i/lub niewidzialne promieniowanie lasera klasy 1M. Nie patrzeć bezpośrednio w przyrządy optyczne.

UPOZORNĚNÍ: Při otevření vydává viditelné popř. neviditelné laserové ozáření třídy 1M. Nedívejte se do otvoru přímo s optickými nástroji.

FIGYELMEZTETÉS: Látható és/vagy láthatatlan 1M osztályú sugárzás nyitott állapotban. Ne nézze közvetlenül optikai műszerekkel.

注意：打開蓋板可能會產生可見或不可見的 1M 級鐳射。不要使用光學儀器直接進行窺視。

注意：打开盖板可能会产生可见或不可见的 1M 级辐射。不要使用光学仪器直接进行窥视。

تنبيه: يوجد إشعاع ليزري مرئي و/أو غير مرئي من الفئة 1M عندما يكون الجهاز مفتوحاً. تجنب النظر مباشرة داخل الجهاز باستخدام أدوات بصرية.

احتياط: هنگامی که باز گردد، تشعشع مرئی و یا نامرئی کلاس 1M لیزر وجود دارد. با لوازم چشمی مستقیماً به آن نگاه نکنید.

주의: 개방하면 가지 및/또는 비가시 클래스 1M 레이저 방사선이 나옵니다. 광학 기구로 직접 들여다보지 마십시오.

REPRODUCTION AND POSITION OF LABELS and PRINT WARNING LABEL and PRINT



CAUTION VISIBLE AND/OR INVISIBLE CLASS 1M LASER RADIATION WHEN OPEN. DO NOT VIEW DIRECTLY WITH OPTICAL INSTRUMENTS. IEC30825-1:2001 (ENG)	ATTENTION RAYONNEMENT LASER VISIBLE ET/OU INVISIBLE DE CLASSE 1M UNE FOIS OUVERT. NE PAS REGARDER DIRECTEMENT AVEC DES INSTRUMENTS OPTIQUES. (FRA)	AVISO RADIACIÓN LÁSER DE CLASE 1M VISIBLE Y/O INVISIBLE CUANDO ESTA ABIERTO. NO MIRAR DIRECTAMENTE CON INSTRUMENTAL ÓPTICO. (ESP)	WARNING SYNLIG OCH/ELLER OSYNLIG LASERSTRÅLNING, KLASS 1M, NÄR DENNA DEL ÄR ÖPPNAD. BETRAKTA EJ STRÅLEN MED OPTISKA INSTRUMENT. (SWE)	注意 ここに書くと可視 及び/または不可視 のクラス1M レーザー放射が 出ます。 光学装置で直接 見ないでください。 (JPN)	CAUTION VISIBLE AND/OR INVISIBLE CLASS 1 LASER RADIATION WHEN OPEN. DO NOT STARE INTO BEAM. FDA 21 CFR (ENG) LV44803-003A
--	--	---	---	--	--

SECTION 2
SPECIFIC SERVICE INSTRUCTIONS

This service manual does not describe SPECIFIC SERVICE INSTRUCTIONS.

SECTION 3 DISASSEMBLY

3.1 Main body

3.1.1 Removing the FRONT PANEL assembly (See Fig.1 to 4)

- (1) From the bottom side of main body, insert the screwdriver to hole of the third gear from hole a of the bottom chassis, and then turn the gear to clockwise until FRONT PANEL assembly comes up. (See Fig.1)
- (2) Remove the two screws **A** attaching the both side of the FRONT PANEL assembly. (See Fig.2)
- (3) Remove the four screws **B** attaching the both side of the FRONT PANEL assembly. (See Fig.2)
- (4) Remove the one screw **C** attaching the FPC GUIDE. (See Fig.3)
- (5) Remove the one screw **D** attaching the FRONT CHASSIS. (See Fig.3)
- (6) Disconnect the card wire from MONITOR assembly connected to connector **CN401** of the PANEL BOARD assembly. (See Fig.4)
- (7) Disengage two hooks **a** engaged FRONT CHASSIS. (See Fig.2)

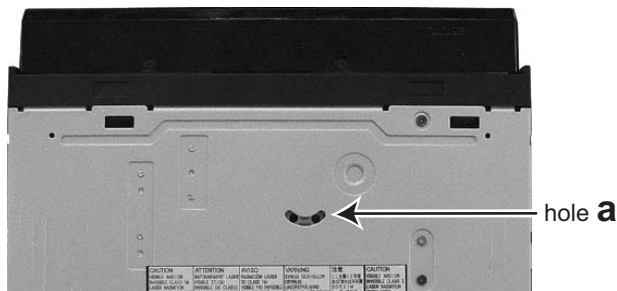


Fig.1

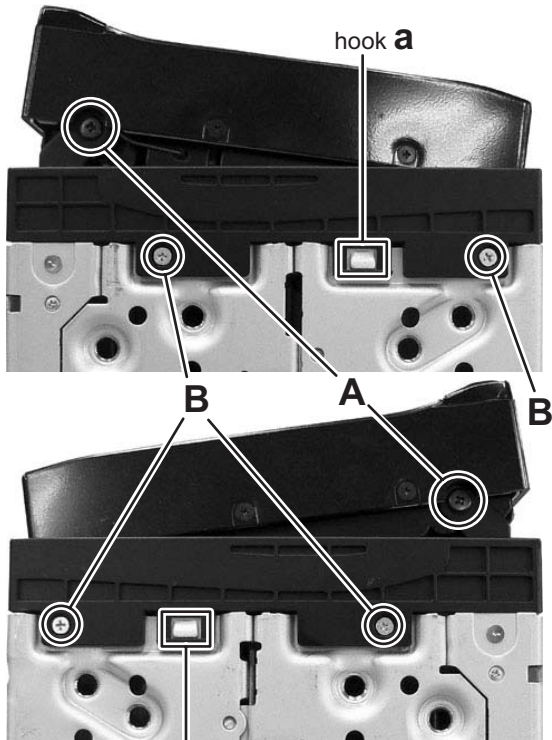


Fig.2



Fig.3



Fig.4

3.1.2 Removing the HEAT SINK (See Fig.5)

- (1) Remove the four screws **E** and two screws **F** attaching the HEAT SINK.

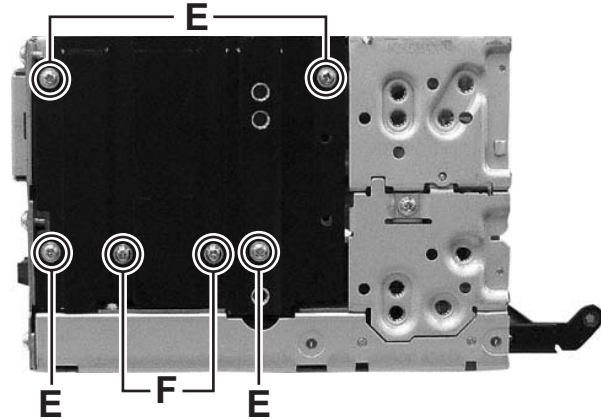


Fig.5

3.1.3 Removing the REAR BRACKET (See Fig.6, 7)

- (1) Remove the three screws **G** attaching the REAR HEAT SINK. (See Fig.6)
- (2) Remove the eleven screws **H** attaching the REAR BRACKET. (See Fig.6)
- (3) Disconnect the connector wire from FAN connected to connector [CN906](#) of the SUB BOARD assembly. (See Fig.7)

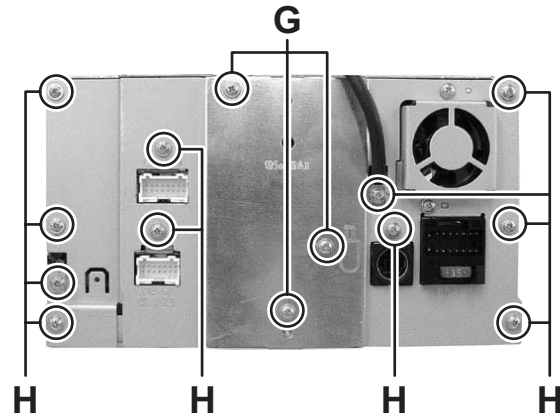


Fig.6

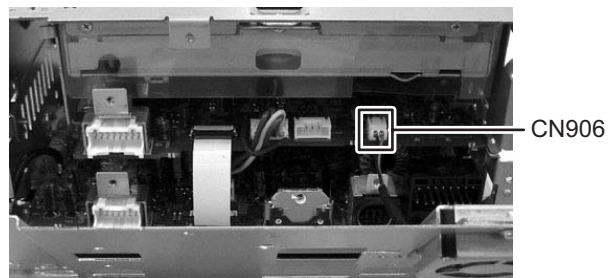


Fig.7

3.1.4 Removing the TOP CHASSIS assembly (See Fig.8 to 11)

- (1) Disconnect the card wire from TOP CHASSIS assembly connected to connector [CN702](#) of the MAIN BOARD assembly. (See Fig.8)
- (2) Remove the two screws **J** attaching the FRONT BOARD assembly. (See Fig.8)
- (3) Disconnect the connector wire from MAIN BOARD assembly connected to connector [CN902](#) of the SUB BOARD assembly. (See Fig.9)
- (4) Disconnect the card wire from MAIN BOARD assembly connected to connector [CN904](#) of the SUB BOARD assembly. (See Fig.9)
- (5) From left side of MAIN BODY, remove the two screws **K** attaching the TOP CHASSIS assembly. (See Fig.10)
- (6) From right side of MAIN BODY, remove the two screws **L** attaching the TOP CHASSIS assembly. (See Fig.11)

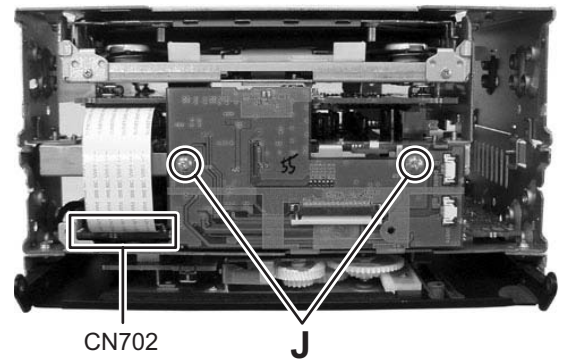


Fig.8

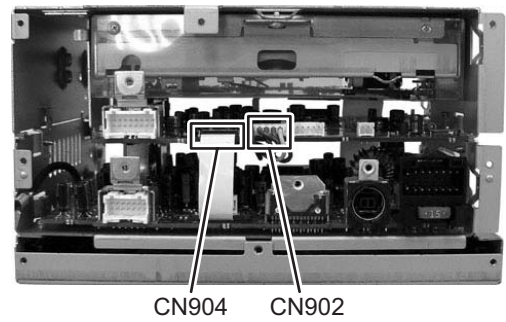


Fig.9

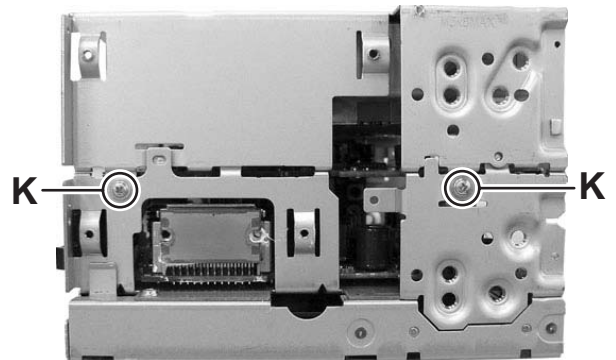


Fig.10

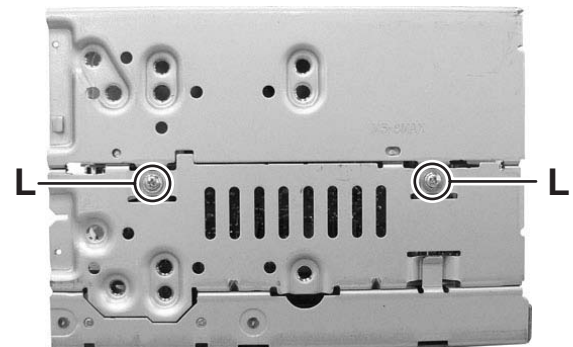


Fig.11

3.1.5 Removing the MAIN BOARD assembly (See Fig.12)

- (1) Disconnect the connector wire from the MECHA SWITCH BOARD assembly connected to connector [CN764](#) of the MAIN BOARD assembly.
- (2) Remove the four screws **M** attaching the MAIN BOARD assembly.

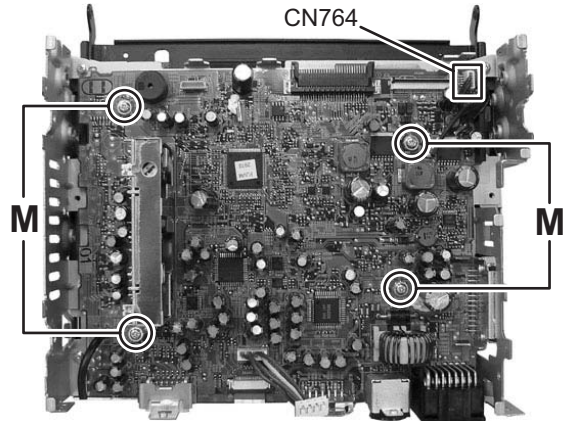


Fig.12

3.1.6 Removing the MID CHASSIS (See Fig.13)

- (1) Remove the four screws **N** attaching the MID CHASSIS.

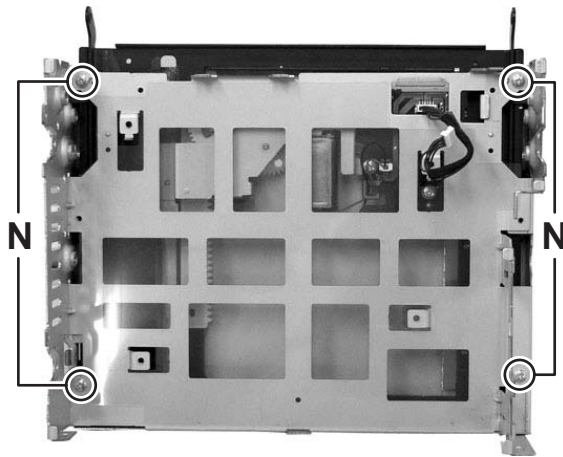
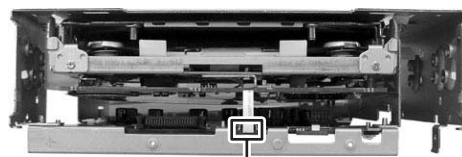


Fig.13

3.1.7 Removing the SUB BOARD assembly (See Fig.14, 15)

- (1) Disconnect the card wire from CONNECTION BOARD assembly connected to connector [CN907](#) of the SUB BOARD assembly. (See Fig.14)
- (2) Remove the five screws **P** attaching the SUB BOARD assembly. (See Fig.15)



CN907
Fig.14

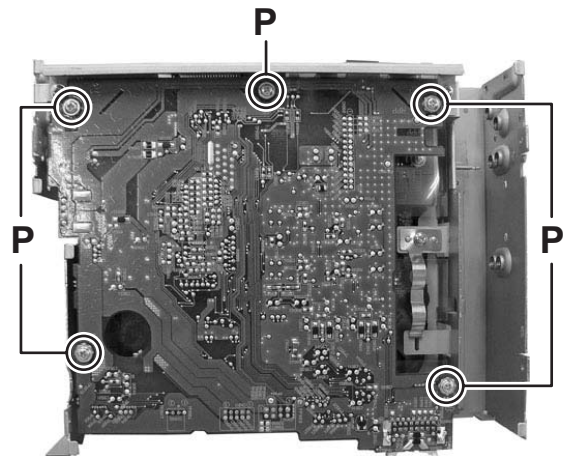


Fig.15

3.1.8 Removing the DVD MECHANISM assembly (See Fig.16 to 18)

- (1) Remove the two screws **Q** attaching the FRONT PCB BRACKET. (See Fig.16)
- (2) Remove the three screws **R** attaching the SUB PCB BRACKET. (See Fig.17)
- (3) Remove the three screws **S** attaching the DVD MECHANISM assembly. (See Fig.18)



Fig.16

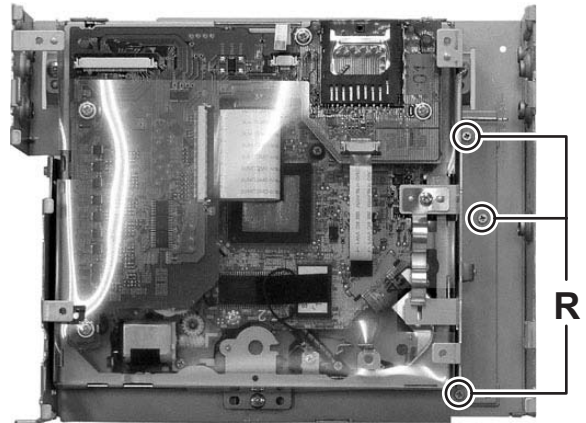


Fig.17

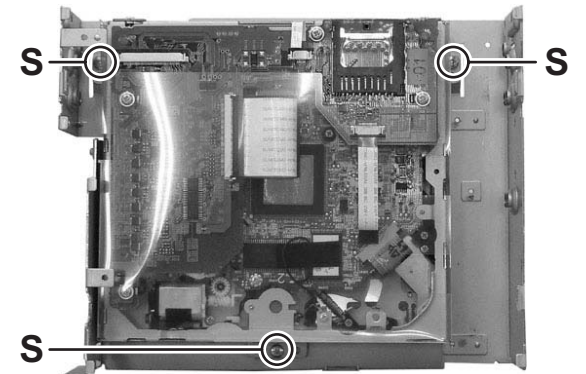


Fig.18

3.1.9 Removing the CONNECTION BOARD assembly (See Fig.19)

- (1) Takeout the INSULATOR.
- (2) Disconnect the card wire from FRONTEND BOARD assembly connected to connector [CN301](#) and [CN303](#) of the CONNECTION BOARD assembly.
- (3) Remove the four screws **T** attaching the CONNECTION BOARD assembly.

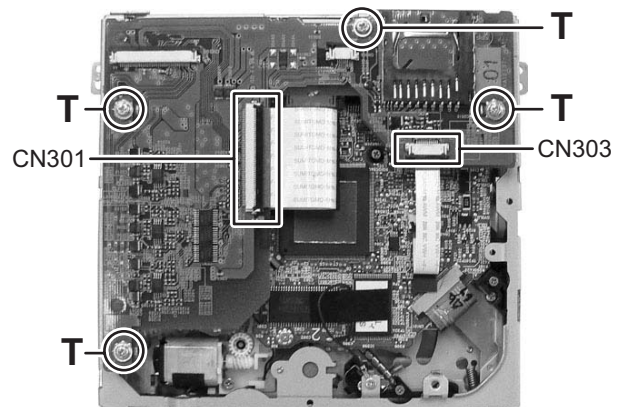


Fig.19

3.2 Monitor section

3.2.1 Removing the FRONT BRACKET assembly (See Fig.1)

- (1) Remove the two screws **A** attaching the FPC COVER.
- (2) Remove the four screws **B** attaching the FRONT BRACKET assembly.
- (3) Remove the two screws **C** attaching the FRONT BRACKET assembly.

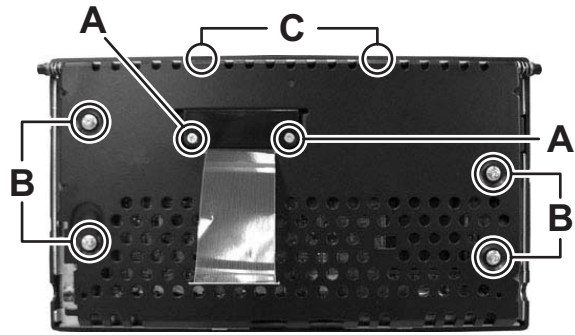


Fig.1

3.2.2 Removing the PANEL BOARD assembly (See Fig.2)

- (1) Disconnect the connector wire from LCD module connected to connector [CN471](#) of the PANEL BOARD assembly.
- (2) Disconnect the card wire from SWITCH BOARD assembly connected to connector [CN431](#), [CN511](#) and [CN591](#) of the PANEL BOARD assembly.
- (3) Remove the four screws **D** attaching the PANEL BOARD assembly.

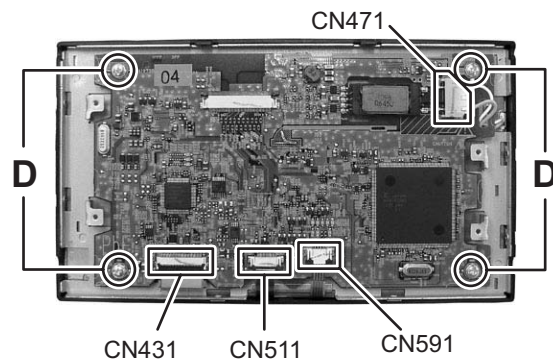


Fig.2

3.2.3 Removing the LCD module (See Fig.3)

- (1) Remove the six screws **E** attaching the PANEL BRACKET assembly. (See Fig.3)
- (2) Disengage seven hook **a** engaged PANEL BRACKET.

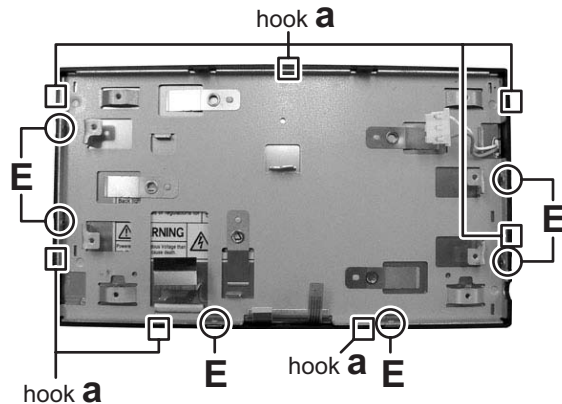


Fig.3

3.3 DVD mechanism assembly

3.3.1 Removing the mechanism control board (See Fig.1)

Caution:

Before disconnecting the flexible wire extending from the DVD pickup, solder the short-circuit point on the flexible wire using a grounding soldering iron. If you do not follow this instruction, the DVD pickup may be damaged.

- (1) Turn over the body, and solder the short-circuit points on the flexible wire extending from the DVD pickup.
- (2) Disconnect the flexible wire from connector [CN101](#) on the mechanism control board.
- (3) Disconnect the card wire from connector [CN201](#) on the mechanism control board.
- (4) Disconnect the flexible wire from connector [CN202](#) on the mechanism control board.
- (5) Unsolder two soldered points **a** on the mechanism control board and remove the wire extending from the feed motor.
- (6) Remove the screw **A** attaching the lug wire.
- (7) Remove the two screws **B** and screw **C** attaching the mechanism control board.

Caution:

- As the flexible wire to be connected to [CN101](#), make sure to attach it to the mechanism control board using a double tape.
- After reassembling, unsolder the short-circuit points.

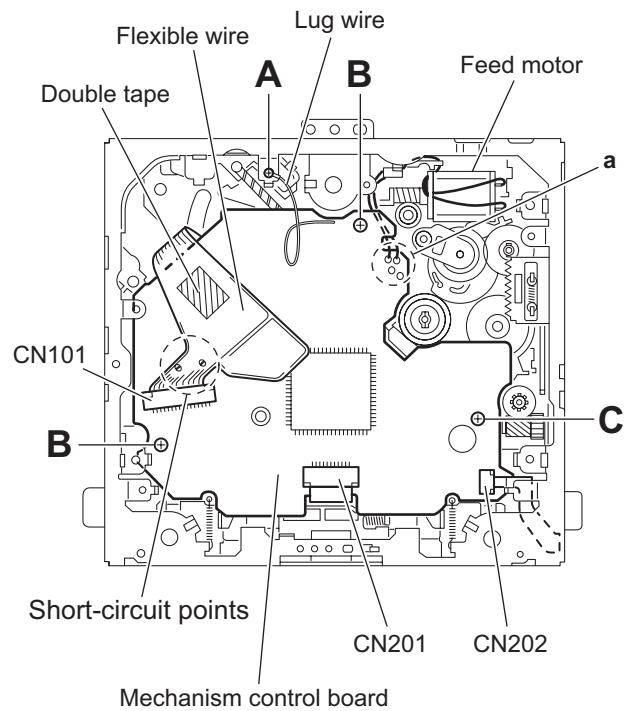


Fig.1

3.3.2 Removing the top cover (See Fig.2)

- (1) Remove the two screws **D** attaching the top cover on the back of the body.
- (2) Remove the top cover upward.

Reference:

When reassembling, set part **b** of the top cover under the bending part **c** of the chassis frame.

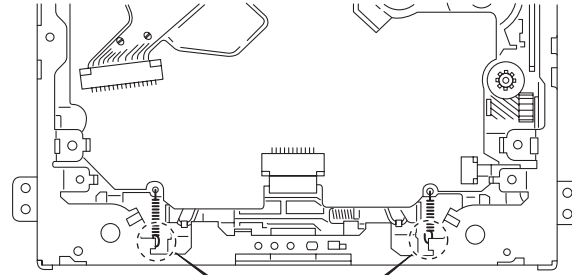
3.3.3 Removing the mechanism section (See Fig.2 to 4)

- Remove the top cover.
 - (1) From the bottom of the body, remove the screw **E** attaching the lug wire. (See Fig.2.)
 - (2) Remove the two screws **F** attaching the right and left stoppers on the front side. (See Fig.2.)
 - (3) Remove the two floating springs on the bottom of the body. (See Fig.3.)
 - (4) Move the mechanism section upward and remove from the chassis frame.

The three damper springs come off from the dampers.
(See Fig.4.)

Caution:

- When reassembling, reattach the damper spring to the damper respectively and insert the three shafts on the bottom of the mechanism to the dampers.
- Before inserting the shaft to the dampers, apply IPA to the hole of damper.



Floating spring

Fig.3

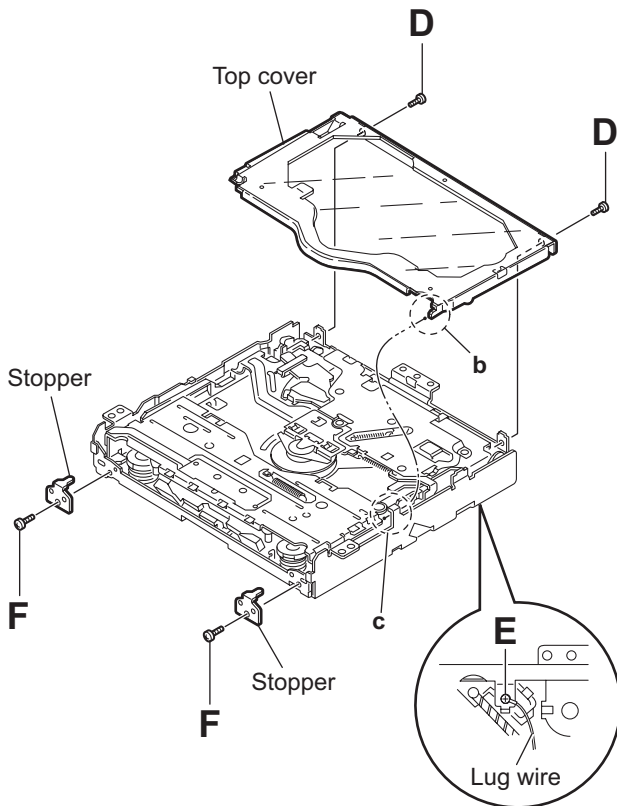


Fig.2

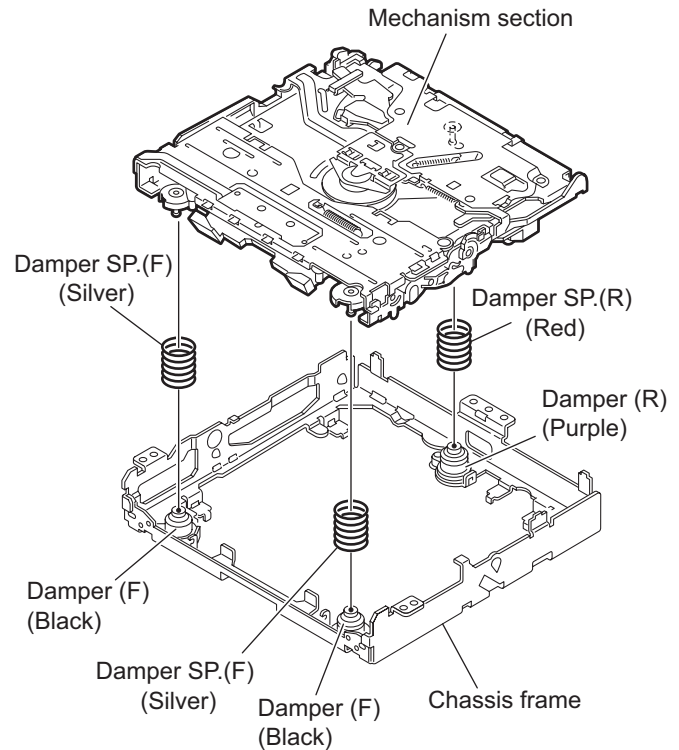


Fig.4

**3.3.4 Removing the clamber unit
(See Fig.5 to 7)**

- Remove the top cover and the mechanism section.
 - (1) Remove the clamber2 spring on the bottom of the mechanism section. (See Figs.5.and 6.)
 - (2) Release the part **d** of the clamber spring from the bending part of the chassis base assembly. (See Fig.7.)
 - (3) Move the clamber unit in the direction of the arrow and turn. Release the two joints **e** and **f**, then remove the clamber unit upward. (See Fig.6.)

**3.3.5 Reattaching the clamber unit
(See Fig.5 to 9)**

- (1) Attach the clamber spring to the clamber unit. (See Fig.8.)
- (2) Move the clamber unit to set the side joints **e** and **f** to each boss of the chassis base assembly. Make sure that part **g** is inserted to the notch of the chassis base assembly. (See Figs.5 and 9.)
- (3) Move the part **d** of the clamber spring to the outside of the bending part of the chassis base assembly. (See Fig.7.)
- (4) Attach the clamber2 spring to the chassis base assembly. (See Figs.5 and 6.)

Caution:

When reattaching, temporarily hook the end of the clamber spring as shown in the figure to make the work easy. (See Fig.8.)

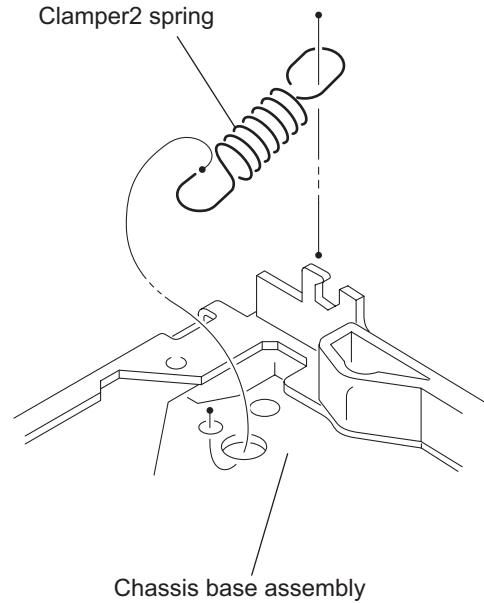


Fig.6

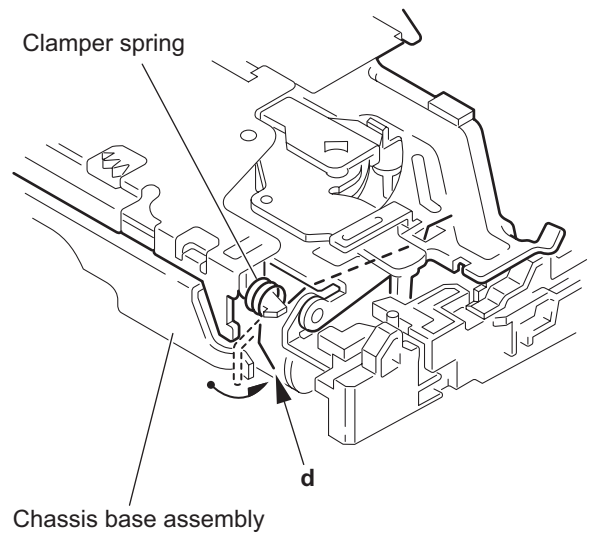


Fig.7

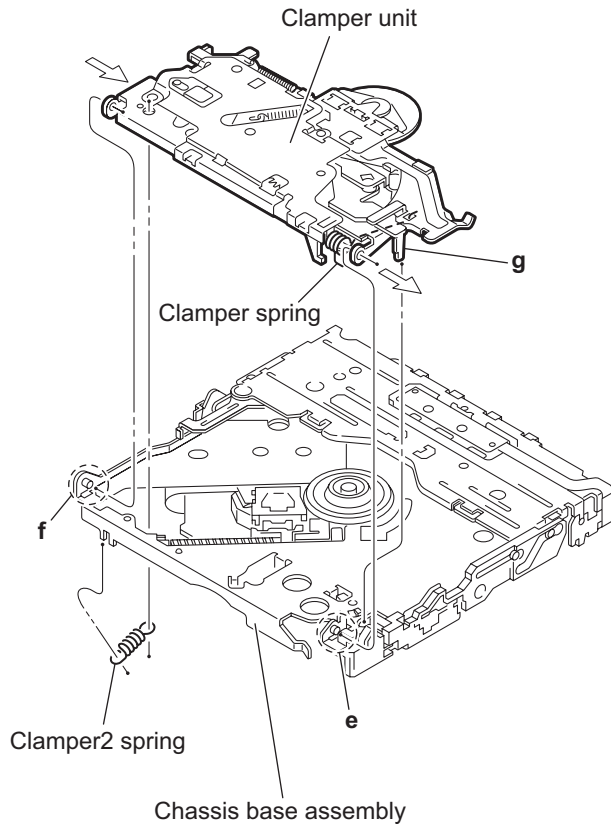


Fig.5

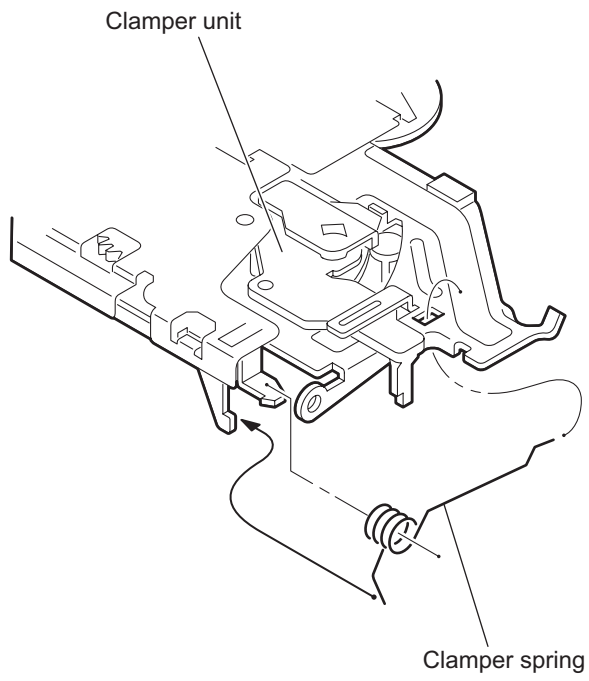


Fig.8

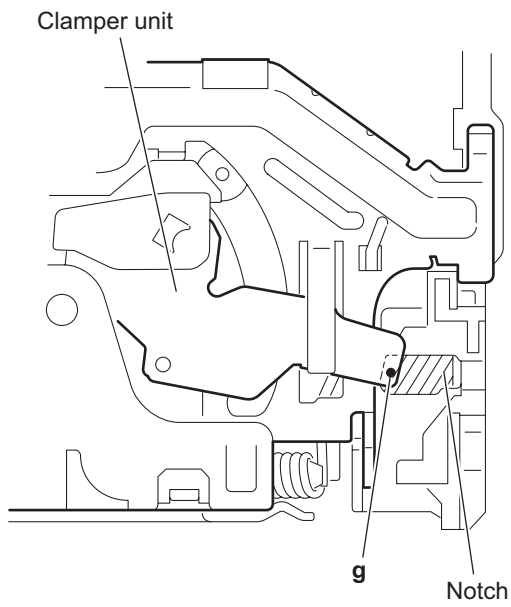


Fig.9

3.3.6 Removing the front unit (See Fig.10 to 12)

- Remove the top cover and the mechanism section.
 - (1) Disconnect the flexible wire from connector [CN202](#) on the mechanism control board at the bottom of the body. (See Fig.10.)
 - (2) Remove the screw **G** attaching the front unit on the top of the body. (See Fig.11.)
 - (3) Move the front unit toward the front to release joint **h**, and release two joints **i** and **j** on the right side of the chassis base assembly. Then remove the front unit upward. (See Figs.11 and 12.)
 - (4) Remove the two screws **H** attaching the switch board. (See Fig.12.)

Reference:

You can remove the switch board only without removing the front unit.

Caution:

When reassembling, attach the flexible wire extending from the switch board using the double tape. (See Figs.10 and 12.)

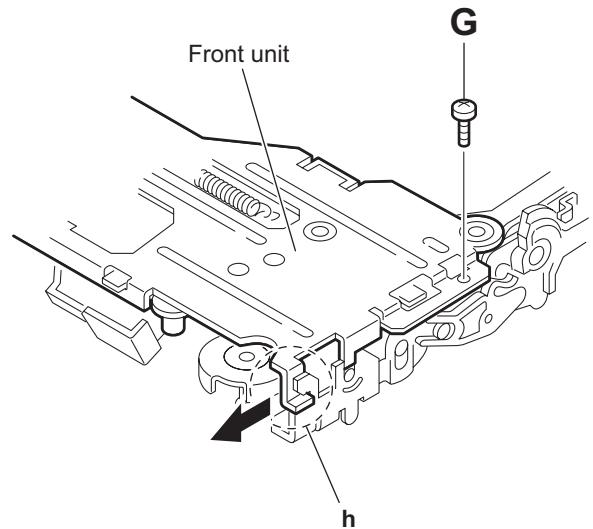


Fig.11

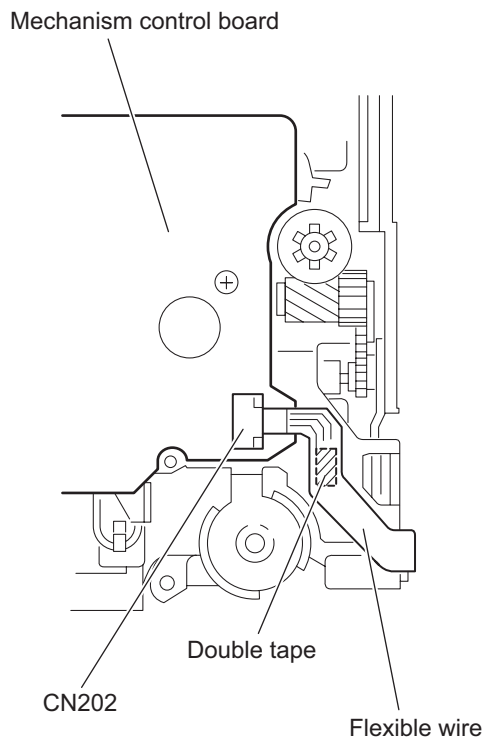


Fig.10

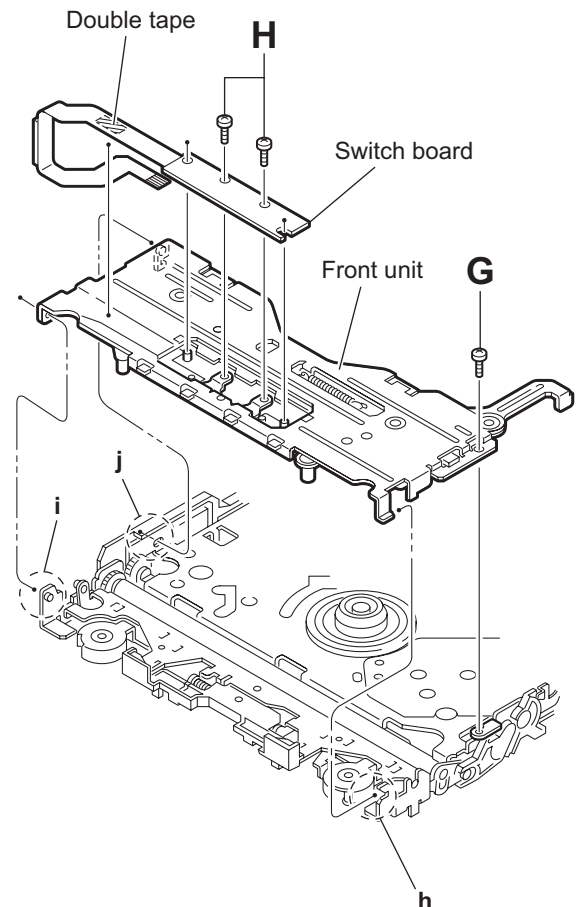


Fig.12

3.3.7 Removing the loading arm assembly (See Fig.13 , 14)

- Remove the top cover, the mechanism section and the front unit.
 - From the top of the body, move the loading arm assembly from the front side upward, and release the bosses from the right and left joints **k** and **m** of the chassis base assembly.
 - Release the boss from notch **n** of the connect arm on the right side of the body, and release the boss from notch **p** of the side cam assembly on the left side.

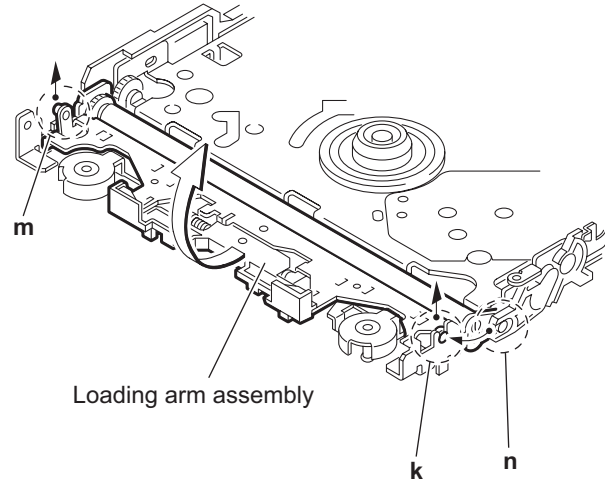


Fig.13

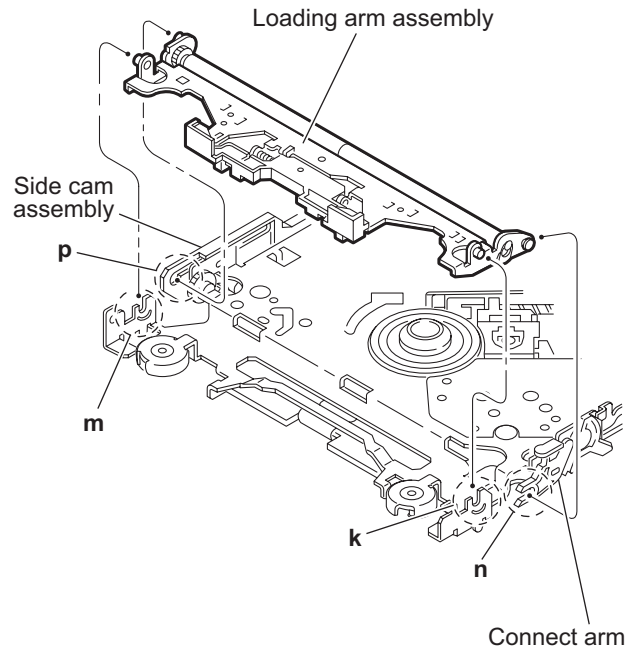


Fig.14

3.3.8 Removing the rod (L)(R)/roller assembly (See Fig.15 and 16)

- Remove the top cover, the mechanism section, the front unit and the loading arm assembly.
 - Release the rod (L) and (R) from the joints **q** at the bottom of the loading arm assembly (See Fig.15.)
 - Remove the roller assembly from the loading arm assembly. (See Fig.16.)
 - Remove the two collars and washer from the roller assembly. (See Fig.16.)

Caution:

After attaching the loading arm assembly to the roller assembly, attach the rod (L) and (R). Attach the rods to the right and left collars of the roller. (See Fig.15.)
When reattaching the rod (L) and (R) to the loading arm assembly, engage each joint as shown in Fig.15. As joints **q** of the rod (L), let the rod through **q** before reattaching it.

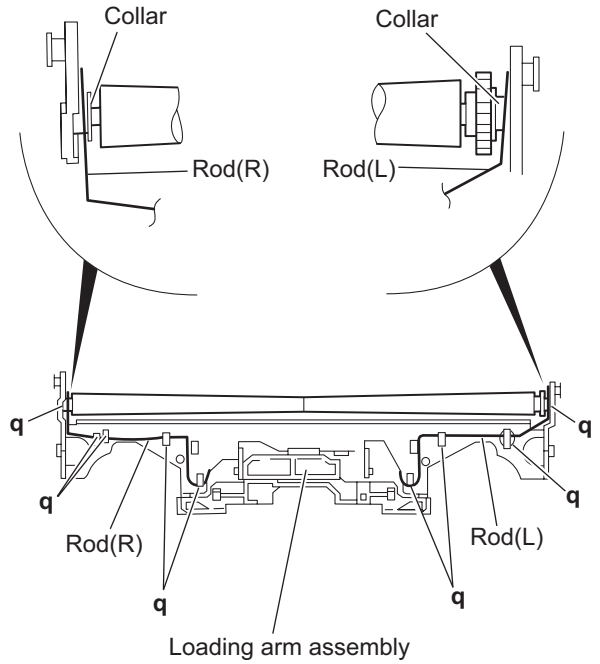


Fig.15

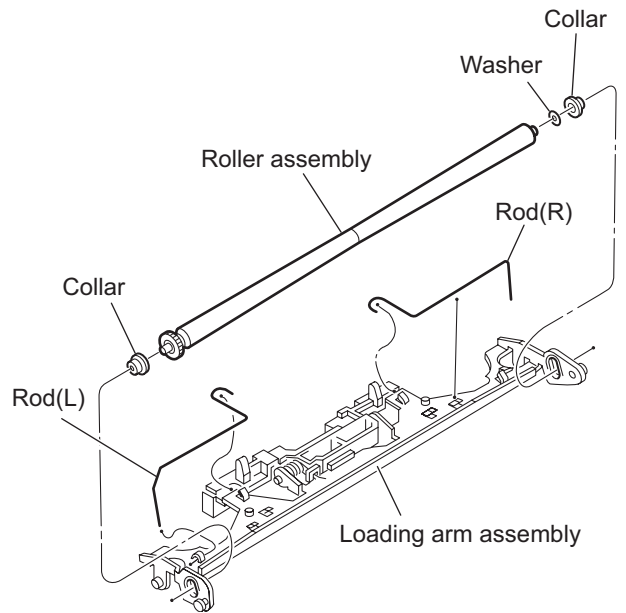


Fig.16

3.3.9 Removing the DVD pickup assembly (See Fig.17 to 19)

- Remove the mechanism control board.
 - (1) From the bottom of the body, turn the feed gear in the direction of the arrow to move the DVD pickup outwards. (See Fig.17.)
 - (2) Remove the screw **J** attaching the thrust spring. (See Fig.17.)
 - (3) Remove the DVD pickup assembly upward on the L.S.gear side and release from sub shaft at joint **r**. Move the lead screw of the DVD pickup assembly in the direction of the arrow to release from joint **s**. (See Fig.18.)

Caution:

- When releasing the lead screw at joint **s**, the L.S.collar comes off at the end of the lead screw. When reassembling, reattach the L.S.collar to the lead screw and engage joint **s**. (See Fig.18.)
 - When reattaching the L.S.collar, reattach it to the point **s** of the lead screw, and to the rod (M). Make sure that the L.S.collar is set on the rod (M) spring. (See Fig.18.)
- (4) Remove the screw **K** attaching the rack spring/ rack plate on the DVD pickup. (See Fig.19.)
 - (5) Pull out the lead screw. (See Fig.19.)

Caution:

Perform adjustment after replacing the pickup.

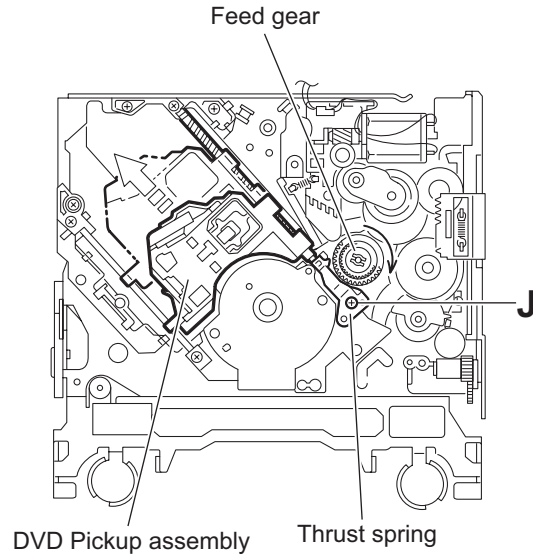


Fig.17

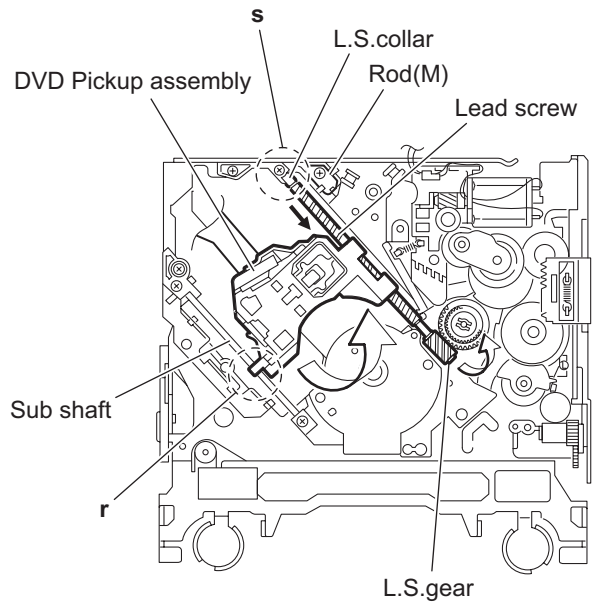


Fig.18

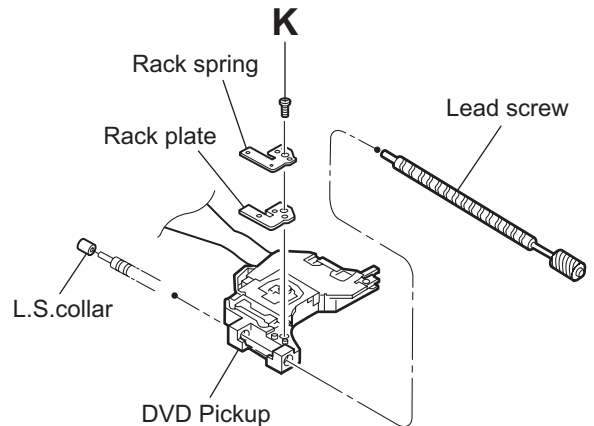


Fig.19

3.3.10 Removing the spindle motor (See Fig.20)

- Remove the mechanism control board.
Remove the two screws **L** attaching the spindle motor on the bottom of the body.

Caution:

Perform adjustment when reattaching the spindle motor.

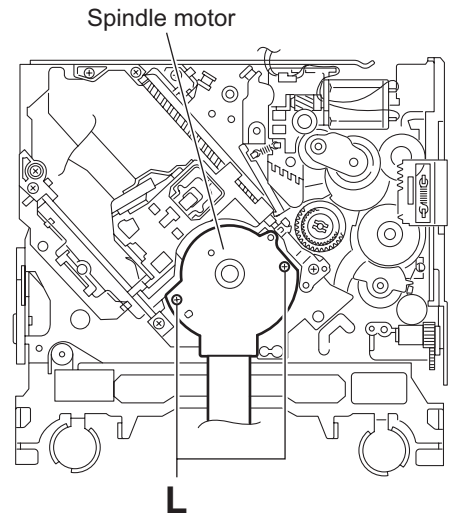


Fig.20

3.3.11 Removing the feed motor assembly (See Fig.21 and 22)

- Remove the mechanism control board.
 - Remove the feed TRI. spring on the bottom of the body. (See Fig.21.)
 - Remove the two screws **M** attaching the feed motor assembly. (See Fig.21.)
 - Remove the slit washer from the motor H. assembly and pull out the worm wheel. (See Fig.22.)

Remove the two screws **N** attaching the feed motor. (See Fig.22.)

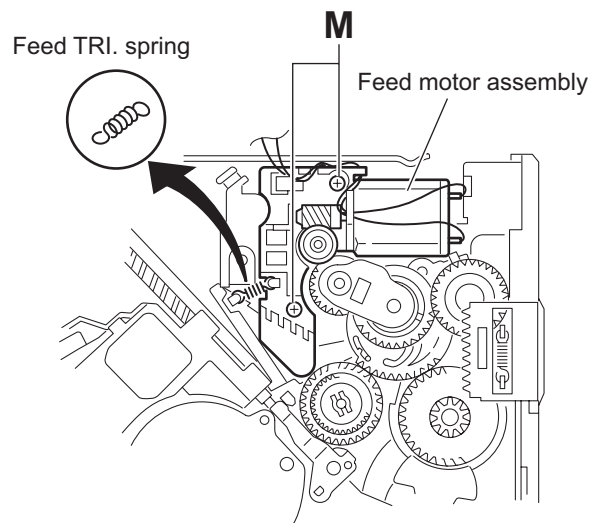


Fig.21

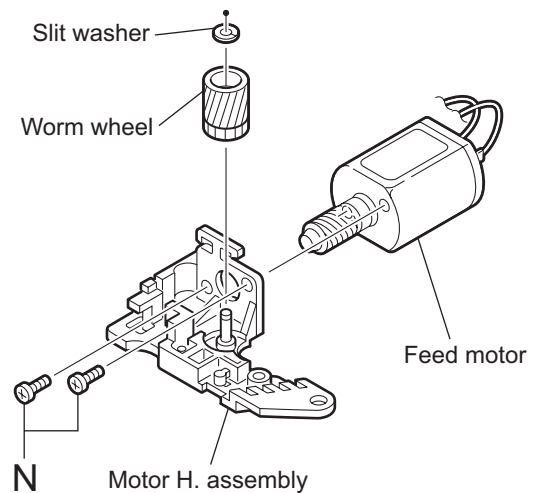


Fig.22

SECTION 4 ADJUSTMENT

4.1 Test instruments required for adjustment

- (1) Digital oscilloscope (100MHz)
- (2) Jitter meter
- (3) Digital tester
- (4) Electric voltmeter
- (5) Tracking offset meter
- (6) Test Disc : VT501 or VT502
- (7) Extension studs : STDV001-3P
- (8) Extension cable :
 - EXTJD001-60PF(CN401-CN301)
 - EXTJD001-14PF(CN404-CN303)
 - EXTDV002-44PF(CN305-CN702)
 - EXTDV002-7PF(CN302-CN907)
 - EXTXC004-20P(CN375-CN903)
 - EXTFP001-26P(CN376-CN701)
 - EXTCN001-6P(CN764-CN381)
 - EXTLX001-4P(CN703-CN902)
 - EXTDV001-23PF(CN705-CN904)

4.2 Standard measuring conditions

Power supply voltage : DC14.4V(11 to 16V)
 Load impedance : 4 Ω (2 Speakers connection)
 Line Output : 20KΩ

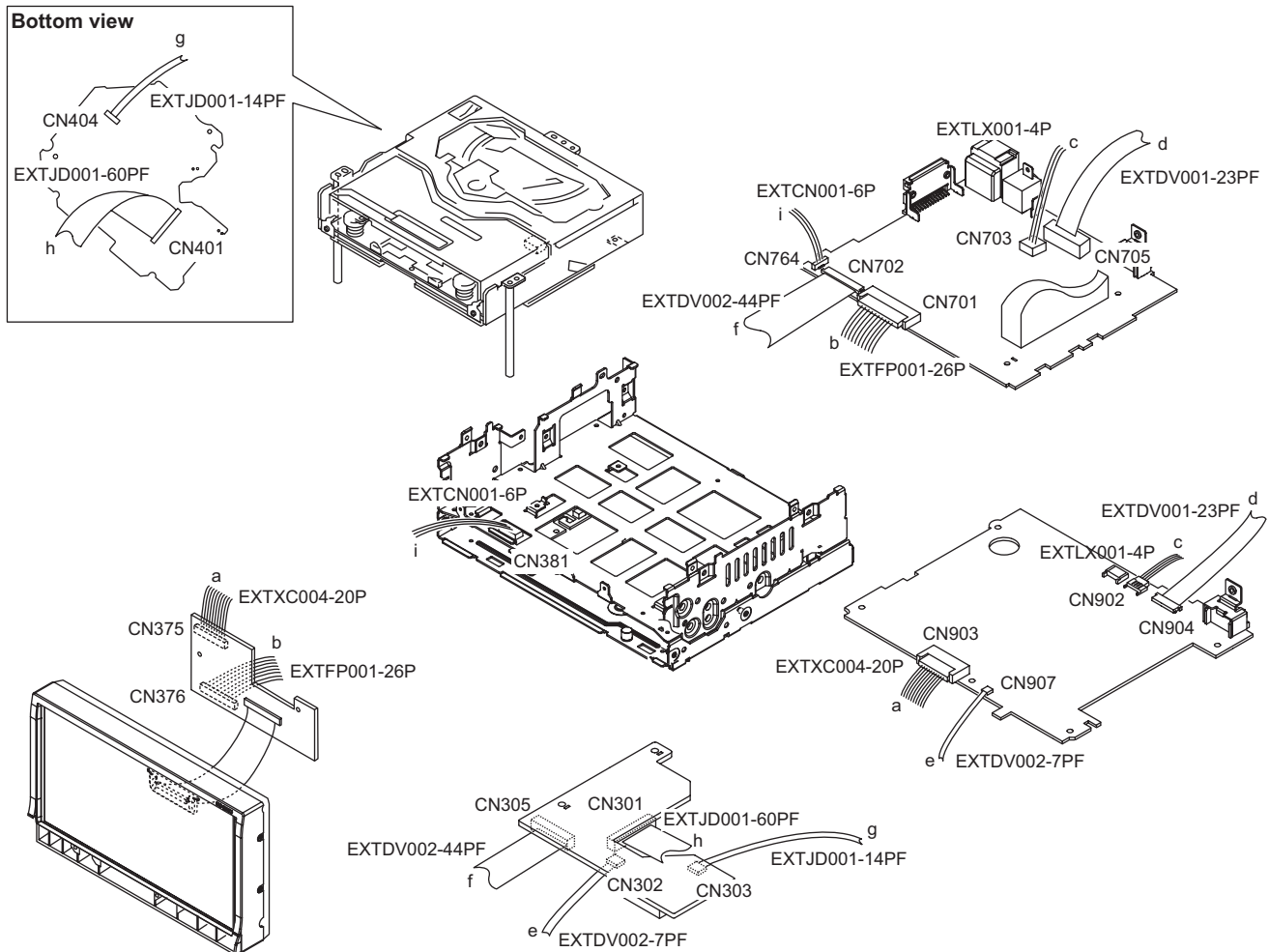
Caution:

Be sure to attach the heat sink and rear bracket onto the power amplifier IC and regulator IC respectively, before supply the power. If voltage is applied without attaching these parts, the power amplifier IC and regulator IC will be destroyed by heat.

4.3 Connection method

Connection procedure

- (1) Attach the front chassis assembly to the main board.
- (2) Attach the heat sink and rear bracket to the main board.
- (3) Attach the extension studs to the DVD mechanism assembly.
- (4) Connect the DVD mechanism assembly and the main board with a extension cable.



4.4 Adjustment method for jitter

After replacing the pickup, set the unit in the service mode to display a jitter value on the LCD.

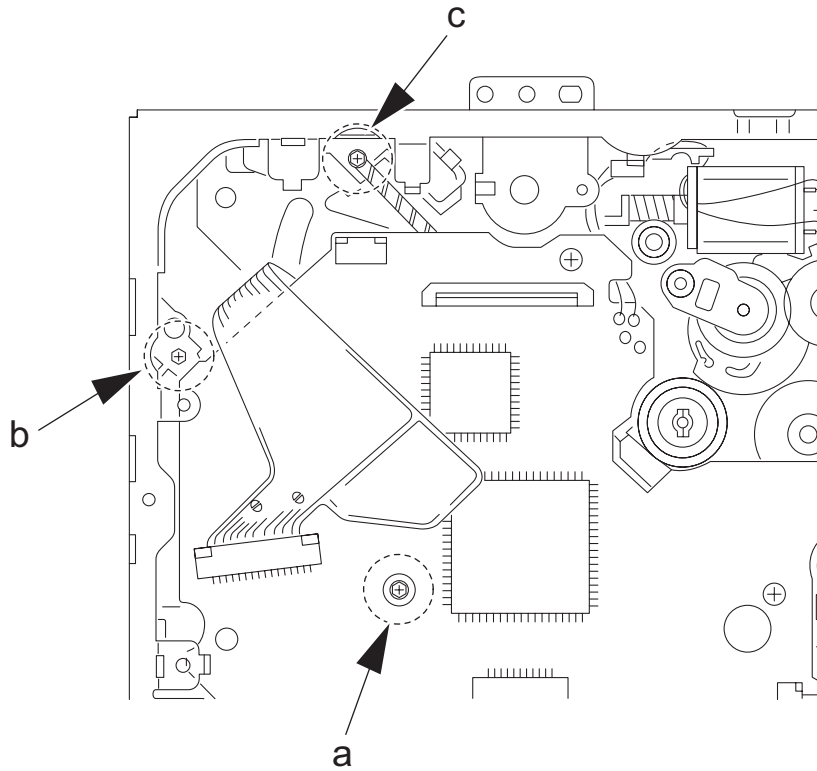
Confirm that the jitter value measured with a jitter meter is within 12% of the jitter value displayed on the LCD.

If it is within 12%, then adjustment is not necessary.

If the measured jitter value is outside the 12% tolerance range, perform the following adjustments.

4.4.1 Adjustment procedure

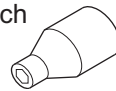
- (1) Set the unit to the service mode and display a jitter value (hex data) on the LCD.
- (2) Turn each of the screws a, b and c, by a half-turn per step, in the direction that reduces the jitter value in order to minimize it.
(Do not turn a screw more than a half turn at a time, but adjust the screws in the cycle of the same level is turned in the pair of b+c and the same level is turned in the pair of a+b.)
- (3) After completing the adjustment, secure the screws with screw lock paint.



Jitter value adjustment procedure (Pickup horizontal level adjustment relative to the DVD recording surface)

(For the adjustment tool use a 3 mm wrench and not a screwdriver, this procedure will make the adjustment easier.)

3 mm wrench



4.5 Jitter value conversion table

Load the test DVD and set the unit to the service mode. A jitter value converted to the hex value is displayed on the LCD.

Refer to the corresponding decimal notation value shown in the following Jitter Conversion Table.

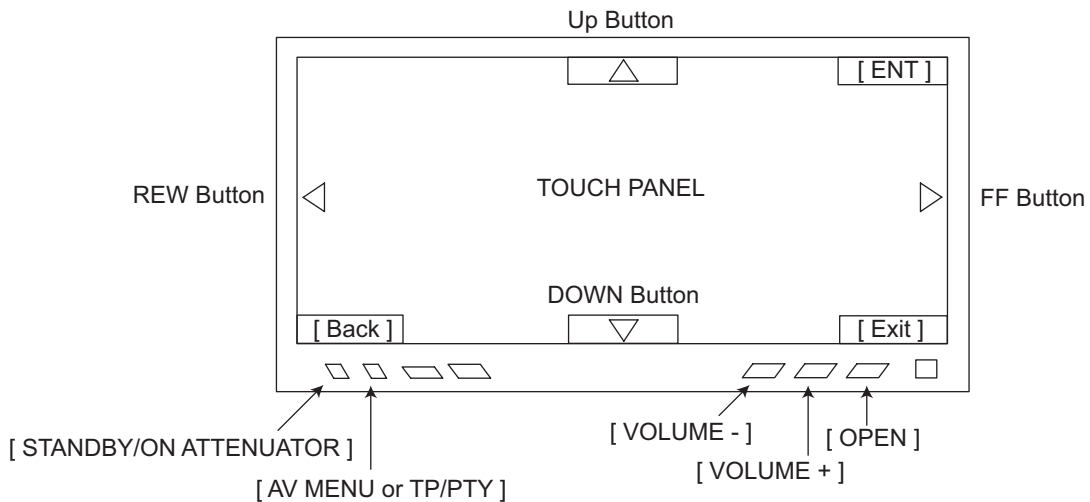
The adjustment is OK if the jitter value measured with a jitter meter is within 12% of the jitter value displayed on the LCD.

If the measured jitter value is outside the 12% tolerance range, adjust it to minimize the difference between the measured value and the displayed value.

Indicated on the LCD	Jitter value (%)	Indicated on the LCD	Jitter value (%)	Indicated on the LCD	Jitter value (%)
EF56	4.7	E79E	8.5	DFE6	12.3
EF22	4.8	E76A	8.6	DFB2	12.4
EEEE	4.9	E736	8.7	DF7E	12.5
EEBA	5.0	E702	8.8	DF4A	12.6
EE86	5.1	E6CE	8.9	DF16	12.7
EE52	5.2	E69A	9.0	DEE2	12.8
EE1E	5.3	E666	9.1	DEAE	12.9
EDEA	5.4	E632	9.2	DE7A	13.0
EDB6	5.5	E5FE	9.3	DE46	13.1
ED82	5.6	E5CA	9.4	DE12	13.2
ED4E	5.7	E596	9.5	DDDE	13.3
ED1A	5.8	E562	9.6	DDAA	13.4
ECE6	5.9	E52E	9.7	DD76	13.5
ECB2	6.0	E4FA	9.8	DD42	13.6
EC7E	6.1	E4C6	9.9	DD0E	13.7
EC4A	6.2	E492	10.0	DCDA	13.8
EC16	6.3	E45E	10.1	DCA6	13.9
EBE2	6.4	E42A	10.2	DC72	14.0
EBAE	6.5	E3F6	10.3	DC3E	14.1
EB7A	6.6	E3C2	10.4	DC0A	14.2
EB46	6.7	E38E	10.5	DBD6	14.3
EB12	6.8	E35A	10.6	DBA2	14.4
EADE	6.9	E326	10.7	DB6E	14.5
EAAA	7.0	E2F2	10.8	DB3A	14.6
EA76	7.1	E2BE	10.9	DB06	14.7
EA42	7.2	E28A	11.0	DAD2	14.8
EA0E	7.3	E256	11.1	DA9E	14.9
E9DA	7.4	E222	11.2	DA6A	15.0
E9A6	7.5	E1EE	11.3	DA36	15.1
E972	7.6	E1BA	11.4	DA02	15.2
E93E	7.7	E186	11.5	D9CE	15.3
E90A	7.8	E152	11.6	D99A	15.4
E8D6	7.9	E11E	11.7	D966	15.5
E8A2	8.0	E0EA	11.8	D932	15.6
E86E	8.1	E0B6	11.9	D8FE	15.7
E83A	8.2	E082	12.0	D8CA	15.8
E806	8.3	E04E	12.1	D896	15.9
E7D2	8.4	E01A	12.2	D862	16.0

Calculation	
Indicated on the LCD	Jitter (%)
E9A6	7.5

4.6 Service mode



4.6.1 Service mode 1 (Indication of a service mode 1 is nothing.)

Keep this state more 2 seconds while continuing pressing the [STANDBY/ON ATTENUATOR] button and [OPEN] button sequentially.

Screen indication ↓

NO EJECT?	*1
EMERGENCY EJECT?	*2

Exchanging it operate a menu of a service mode with the [UP] button and [DOWN] button. Operate choice of a menu with a [ENT] button.

*1 : When an [ENT] button is pushed in NO EJECT indication, it is set by an EJECT prohibition mode.

When an [ENT] button is pushed in EJECT OK indication, it is set by a normal mode.

*2 : Forced EJECT movement

A screen becomes normal indication after an ENT button was pushed.

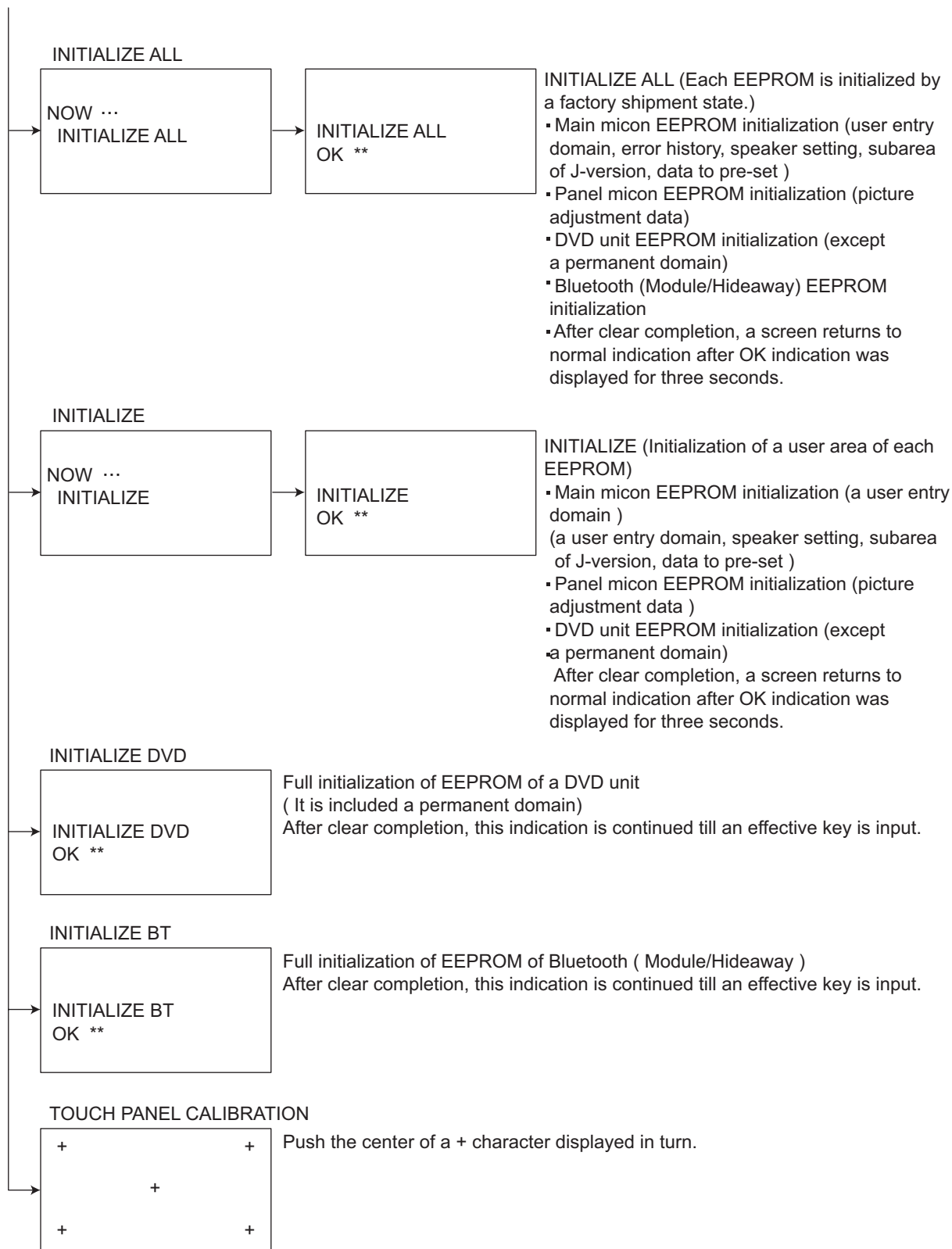
4.6.2 Service mode 2

Keep this state more 2 seconds while continuing pressing the [AV MENU or TP/PTY] button, [OPEN] button and TOUCH PANEL [UP] button sequentially.

Screen indication ↓

SERVICE MODE 2
INITIALIZE ALL
INITIALIZE
INITIALIZE DVD
INITIALIZE BT
TOUCH PANEL CALIBRATION

Exchanging it operate a menu of a service mode with the [UP] button and [DOWN] button. Operate choice of a menu with a [ENT] button.



4.6.3 Service mode 3

Keep this state more 2 seconds while continuing pressing the [AV MENU/TP PTY] button, [VOLUME -] button and TOUCH PANEL [DOWN] button sequentially.

Screen indication ↓

SERVICE MODE 3
SERVICE MODE
INITIALIZE ALL
RUNNING MODE

Exchanging it operate a menu of a service mode with the [UP] button and [DOWN] button. Operate choice of a menu with a [ENT] button.

SERVICE MODE
SERVICE MODE
VERSION
AREA/REGION
TEMPERATURE
MEMORY CHECK
DVD NTSC/PAL
DVD CHECK MODE

- Exchanging it operate a menu of a service mode with the [UP] button and [DOWN] button.
- Operate choice of a menu with a [ENT] button.
- Return to previous menu with a [BACK] button.

SERVICE MODE
ERROR READ
ERROR CLEAR
BT VERSION

VERSION
MAIN V**** [**]
JD9 ****
CH *****
PANEL V**** V*** [**]
P.ADJ **

- Micon version indication
- Main micon version and ROM correction version
- JD9 version
- CH version
- Panel micon version and ROM correction version
- 00 : Panel No adjustment (factory use)
- 01 : Complete Panel adjustment (factory use)

AREA/REGION
SYS-AREA : *
JD9-AREA : **
JD9-REGION : *
JD9-CPPM : Y ****

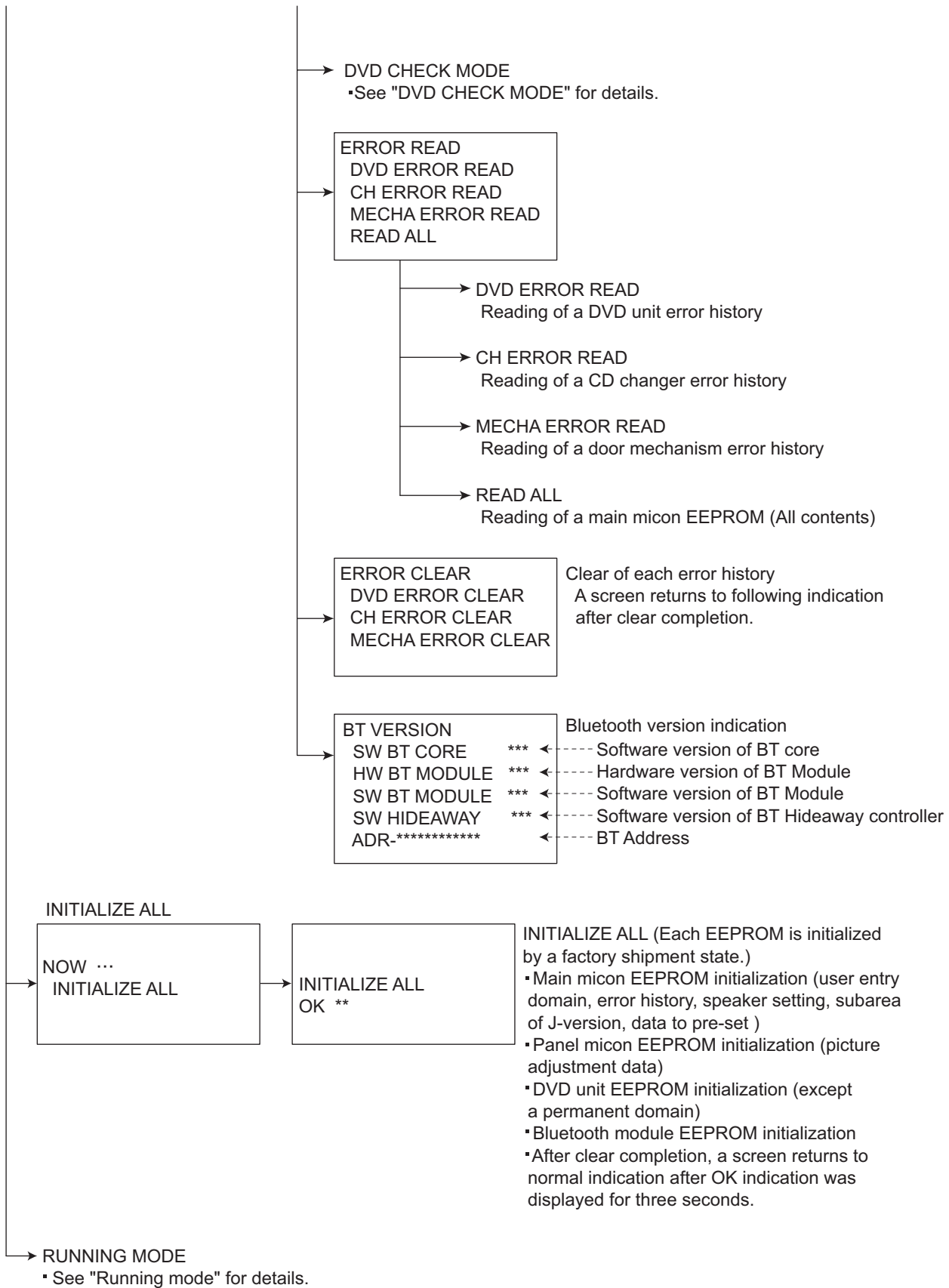
- Area and region indication
- Main micon area
- JD9 area
- JD9 region
- CPPM Y : Finished with a note
- N : Non-note
- **** : Check sum

TEMPERATURE Temperature data reading
▪ Temperature data by the temperature sensor in the main micon and JD9-PCB is read every 5 seconds and displayed in hex numbers.

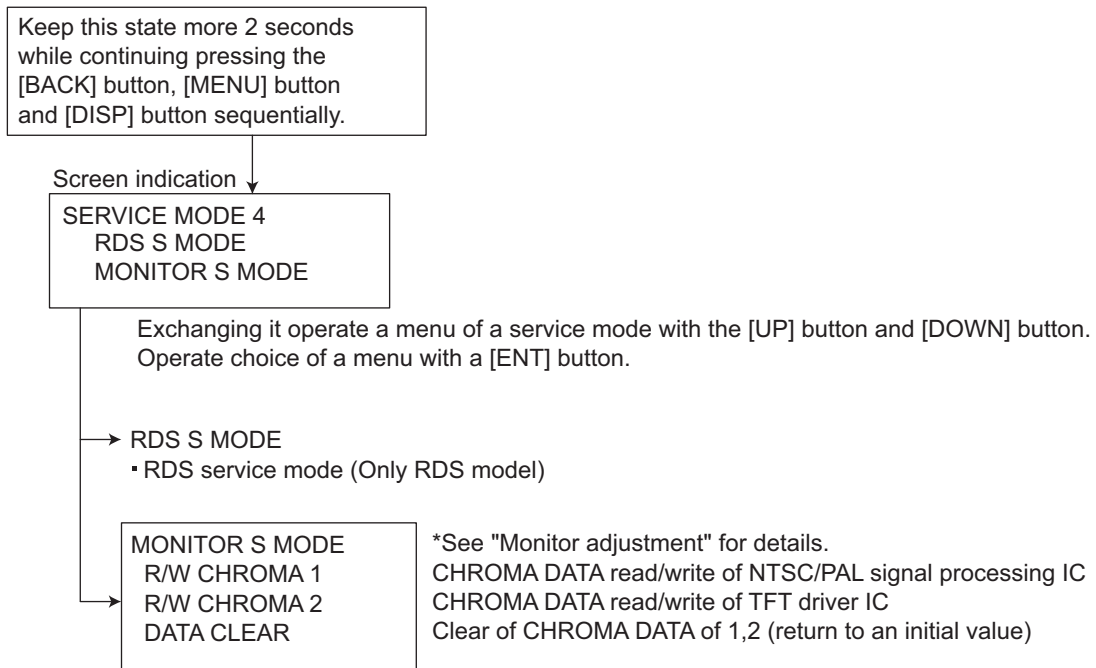
MEMORY CHECK (It is displayed only at the time of the disc insertion)
Memory residual quantity indication mode
▪ Data residual quantity of a disc is displayed by LCD.
▪ About the playback control-related key ([FSKIP], [BSKIP], [UP], [DOWN], [VOL]), only movement is effective.
Indication does not change as memory residual quantity indication.
▪ About cancellation of this mode, press the [STANDBY/ON ATTENUATOR] button.

DVD NTSC/PAL
NTSC
PAL

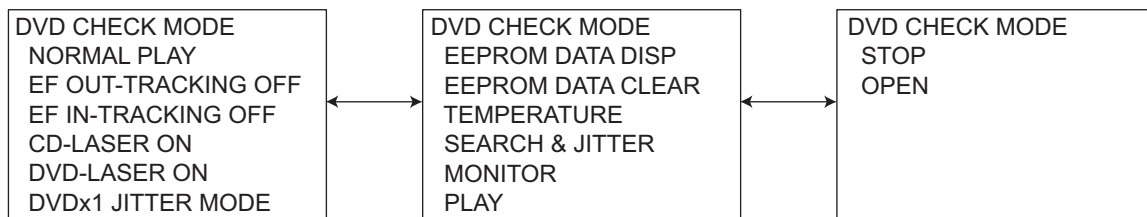
- DVD picture change
- JD9 output picture setting (NTSC)
- JD9 output picture setting (PAL)



4.6.4 Service mode 4



4.7 DVD check mode



Exchanging it operate a menu of a service mode with the [UP] button and [DOWN] button.
 Operate choice of a menu with a [ENT] button.

Command	Mechanism unit operation	Indication contents
NORMAL PLAY	Start at normal speed (After start, jitter is measured by an inner position.)	Laser current value, jitter value
EF OUT-TRACKING OFF	Tracking off the outermost position of CD	For EF phase error
EF IN-TRACKING OFF	Tracking off the innermost position of CD	For EF phase error
CD-LASER ON	CD_LD lights and laser current is displayed.	Laser current value, jitter value
DVD-LASER ON	DVD_LD lights and laser current is displayed	Laser current value, jitter value
DVDx1 JITTER MODE	DVD x1 jitter measuring mode (for use in mechanism adjustment)	Laser current value, jitter value
EEPROM DATA DISP	Contents of EEPROM is displayed.	EEPROM address EEPROM contents
EEPROM DATA CLEAR	Contents of EEPROM is initialized.	EEPROM address EEPROM contents
TEMPERATURE	Temperature indication	Temperature is displayed in hex numbers.
SEARCH & JITTER	The search and jitter measurement to an appointed position of DVD.	Position measured with VT-501 jitter value
MONITOR	Monitor terminal setting	
PLAY	DVD x1 stopped start (After start, jitter is measured by an inner position.)	Not displayed.
STOP	Disc stopped, LD-OFF	Not displayed.
OPEN	OPEN	Not displayed.

4.8 Error code tables






4.8.1 Mechanism error code

Error contents	Details	Error code	Detailed error code
Disc loading error			
① B1 time out		0x09	0x0011
② C1 time out		0x09	0x0012
③ D1 time out		0x09	0x0013
④ C2 time out		0x09	0x0014
⑤ B2 time out		0x09	0x0015
⑥ A2 time out		0x09	0x0016
⑦ F1 time out		0x09	0x0017
⑧ A0 (Switch state without existence)		0x09	0x0018
⑨ G1 time out		0x09	0x0019
⑩ G2 time out		0x09	0x0020
Eject error			
① F2 time out		0x01	0x0021
② A1 time out		0x01	0x0022
③ B1 time out		0x01	0x0023
④ C1 time out		0x01	0x0024
⑤ D1 time out		0x01	0x0025
⑥ C2 time out		0x01	0x0026
⑦ B2 time out		0x01	0x0027
⑧ A0 (Switch state without existence)		0x01	0x0028
Error in loading wait	Loading of a running mode Disc was pulled out in a wait.	0x09	0x0031
Loading re-execution → NG → Eject	Running mode error	0x09	0x0032
Eject re-execution → NG → Loading	Running mode error	0x01	0x0033

4.8.2 Disc error code

Error contents	Details	Error code	Detailed error code
TOC read error	TOC lead movement of a CD is not completed.	0x84	0x0059
First track access error	Even if TOC reading passes after the end with CD running mode for 30 seconds, the first track access is not finished.	0x80	0x0060
Last track access error	Even if first track passes after the end with CD running mode for 30 seconds, the last track access is not finished.	0x80	0x0061
T1 access error	Even if T1 access passes in a DVD running mode for 30 seconds, it is not finished.	0x80	0x0069
T12 access error	Even if T12 access passes in a DVD running mode for 30 seconds, it is not finished.	0x80	0x0070
T24 access error	Even if T24 access passes in a DVD running mode for 30 seconds, it is not finished.	0x80	0x0071
Read-in area read error	Read-in area read operation of DVD is not completed.	0x84	0x0072
DVD L1 layer adjustment error	Adjustment of L1 layer of DVD is not finished normally. (including focus jump failure)	0x80	0x0074
NO DISC judgment	Judgment without disc	0x80	0x0090
It is NO DISC by start failure	Start is impossible	0x80	0x0091
It is stopped by playback inability.	Stop in running mode playback	0x80	0x0093
Logic format NG	Logic format analysis inability or non-correspondence logic format	0x80	0x0094

4.8.3 Error codes of panel mechanism

PANEL ANGLE			
1	Panel	 Close	Main Body
2		 10 degrees	
3		 20 degrees	
4		 30 degrees	
Open		 Open	

Details	Error code (Service mode)
Open error 1. Time out error by OPEN position cannot detect.	0A0001
Close error (ANGLE 1 error) 1. Time out error by ANGLE 1 position cannot detect.	0B0006
Angle positioning error Moving to 10 degrees (ANGLE 2 error) 1. Time out error by ANGLE 2 position cannot detect at moving to open position. 2. Missing to ANGLE 1 and detected ANGLE 2 position at moving to open position. 3. Time out error by ANGLE 2 cannot detect at moving close position.	0D0021 0D0022 0D0023
Moving to 20 degrees (ANGLE 3 error) 1. Time out error by ANGLE 3 position cannot detect at moving to open position. 2. Missing to ANGLE 2 and detected ANGLE 3 position at moving to open position. 3. Time out error by ANGLE 3 cannot detect at moving close position.	0E0031 0E0032 0E0033
Moving to 30 degrees (ANGLE 4 error) 1. Time out error by ANGLE 4 position cannot detect at moving to open position. 2. Missing to ANGLE 3 and detected ANGLE 4 position at moving to open position. 3. Time out error by ANGLE 4 cannot detect at moving close position.	0F0041 0F0042 0F0043
Abnormal switch position at moving panel The Panel move to open and close position, detected abnormal switch position.	0A0000

4.9 Running mode

Indication	Explanation	Operation contents of 1 cycle	In mecha error	In disc error	
RUNNING1 MECHA	Door mecha running 1	Panel close→Panel open	-	-	
RUNNING2 MECHA	Door mecha running 2	Panel close→Panel open →Panel detach position →Panel angle 3 position	RETRY	Retry	-
		→Panel angle 1 position →Panel angle 2 position	NO RETRY	Stop	-
RUNNING3 DVD	DVD+Door mecha running1	Loading→Eject →Wait for 5 seconds+Door open/close	Stop	-	
RUNNING4 DVD	DVD+Door mecha running2	Loading→Eject →Wait for 5 seconds+Door open/close	Retry	-	
RUNNING5 DVD	DVD+Door mecha running3	Loading→Playback→Eject →Wait for 5 seconds+Door open/close	Stop	Stop	
RUNNING6 DVD	DVD+Door mecha running4	Loading→Playback→Eject →Wait for 5 seconds+Door open/close	Retry	Stop	
RUNNING7 DVD	DVD+Door mecha running5	Loading→Playback→Eject →Wait for 5 seconds+Door open/close	Stop	Retry	
RUNNING8 DVD	DVD+Door mecha running6	Loading→Playback→Eject →Wait for 5 seconds+Door open/close	Retry	Retry	

* Cancellation of running1,2 : Press the [EJECT] key

* In running 1,2 cancellation, a door does not stop at the position and moves to a panel position.

* Cancellation of running3 to 8 : Press the [POWER] key

* The number of count and an error cord are displayed in running.

Playback contents in a running mode

▪ CD

The first track is played for 30 seconds. → The last track is played for 30 seconds.

(The last track is played in the case of less than till the last for 30 seconds.)

▪ DVD

2layer disc (Pit disc)

Title 1 (the L0 layer internal circumference) is played for 30 seconds.

→ Title 12 (L0 layer circumference) is played for 30 seconds.

→ Title 24 (L1layer internal circumference) is played for 30 seconds.

2layer disc (Recordable disc)

Title 1 (the L0 layer internal circumference) is played for 30 seconds.

→ Title 13 (L0 layer circumference) is played for 30 seconds.

→ Title 24 (L1layer internal circumference) is played for 30 seconds.

1layer disc

First chapter of title 1 is played for 30 seconds. → The last chapter of title 1 is played for 30 seconds.

4.10 Monitor adjustment

* When adjusting, switch on the main unit and insert a test disc (VT-501). And play the test disc and pause it.
(Exit for VCO FREE-RUN adjustment)

1. Set the service mode 4.
2. Exchanging it operate a menu of a service mode with the [UP] button and [DOWN] button.
3. Change data with the [B.SKIP]/[F.SKIP] buttons.
4. Write data with a [ENT] button.

R/W CHROMA 1

Indication	Minimum value	Maximum value	Initial value	Reference register value		Detail
Contrast	00	7F	3F	48	Adjust	Contrast control
Color (NTSC)	00	7F	3F	39	Adjust	Color control
Color (PAL)	00	7F	3F	3C	Adjust	Color control
Color (SECAM)	00	7F	3F	3A	Adjust	Color control
Tint (NTSC)	00	7F	3F	40	Adjust	Tint control
Tint (PAL)	00	7F	3F	42	Adjust	Tint control
Tint (SECAM)	00	7F	3F	41	Adjust	Tint control
Sharpness	00	3F	20	24	Fix	Sharpness control
Brightness	00	FF	40	C7	Adjust	Brightness control
ABL off	00	01	01	01	Fix	Auto brightness limiter off
Sub Contrast	00	0F	05	06	Adjust	Controls the Y amplitude
White Lim	00	0F	F0	F0	Fix	White clipping voltage for RGB signal exceeding over white
Black Lim	00	0F	0F	0F	Fix	White clipping voltage for RGB signal exceeding over white
Gamma 1	00	FF	80	3E	Fix	Correction peak point
Gamma 2	00	FF	80	42	Fix	Boost gain correction peak point
Sub Brt R	00	0F	50	05	Adjust	Sub brightness control for R output signal
Sub Brt B	00	0F	05	04	Adjust	Sub brightness control for R output signal
Drive R (NTSC)	00	3F	2F	1C	Adjust	Gain control for RGB video signal
Drive R (PAL)	00	3F	2F	1C	Adjust	Gain control for RGB video signal
Drive R (SECAM)	00	3F	2F	24	Adjust	Gain control for RGB video signal
RY Gain	00	01	00	01	Fix	Relative amplitude of R-Y color difference signal
RY Phase (NTSC)	00	01	00	00	Fix	Relative phase of G-Y color difference signal
RY Phase (PAL)	00	01	00	00	Fix	Relative phase of G-Y color difference signal
RY Phase (SECAM)	00	01	00	00	Fix	Relative phase of G-Y color difference signal
Drive G (NTSC)	00	3F	2F	18	Adjust	Gain control for RGB video signal
Drive G (PAL)	00	3F	2F	18	Adjust	Gain control for RGB video signal
Drive G (SECAM)	00	3F	2F	20	Adjust	Gain control for RGB video signal
GY Gain	00	01	00	00	Fix	Relative amplitude of R-Y color difference signal
GY Phase (NTSC)	00	01	00	00	Fix	Relative phase of G-Y color difference signal
GY Phase (PAL)	00	01	00	00	Fix	Relative phase of G-Y color difference signal
GY Phase (SECAM)	00	01	00	00	Fix	Relative phase of G-Y color difference signal
Drive B (NTSC)	00	3F	2F	1C	Adjust	Gain control for RGB video signal
Drive B (PAL)	00	3F	2F	1C	Adjust	Gain control for RGB video signal
Drive B (SECAM)	00	3F	2F	2B	Adjust	Gain control for RGB video signal
Com Amp	00	FF	80	87	Adjust	Common pulse amplitude
Com DC	00	FF	80	82	Adjust	Reference DC output
AFC2 Phase	00	07	10	10	Fix	AFC2 phase control
DRVSEL	00	03	00	00	Fix	Driving ability of pulse output stage
Unknown 1	00	01	00	00	Fix	
Unknown 2	00	01	00	00	Fix	
LPF	00	01	10	10	Fix	LPF
Unknown 3	00	01	00	00	Fix	

Indication	Minimum value	Maximum value	Initial value	Reference register value		Detail
DOTCLK Freq. Range	00	07	00	07	Fix	DOTCLK adjustment
EXCHF1	00	03	00	00	Fix	VD phase phase
PLL offset (NTSC)	00	3F	2F	1E	Fix	DOTCLK adjustment
PLL offset (PAL)	00	3F	2F	2B	Fix	DOTCLK adjustment
PLL offset (SECAM)	00	3F	2F	2B	Fix	DOTCLK adjustment
VD Phase (NTSC)	00	07	00	04	Fix	VD out phase
HD Phase (NTSC)	00	1F	00	04	Fix	HD out phase
S GP Phase	00	03	00	00	Fix	SECAM gate pulse phase
S-ID Sense	00	01	00	00	Fix	SECAM ID sensitivity
S-ID M	00	01	00	00	Fix	SECAM ID mode
HP Boost	00	01	00	00	Fix	Enhance the higher side of SECAM bell filter
P/N ID S	00	01	00	00	Fix	PAL / NTSC ID sensitivity for digital comb filter
BPF/HPF	00	01	00	00	Fix	Select chroma BPF frequency response
SECAM R-Y Black Adj	00	0F	00	09	Fix	R-Y black level adjust for SECAM
SECAM B-Y Black Adj	00	0F	00	08	Fix	R-Y black level adjust for SECAM
Gamma2-R	00	03	00	00	Fix	
Gamma2-G	00	03	00	00	Fix	
Gamma2-B	00	03	00	00	Fix	
VD Phase (PAL)	00	07	00	03	Fix	VD out phase
VD Phase (SECAM)	00	07	00	03	Fix	VD out phase
HD Phase (PAL)	00	1F	00	05	Fix	HD out phase
HD Phase (SECAM)	00	1F	00	05	Fix	HD out phase

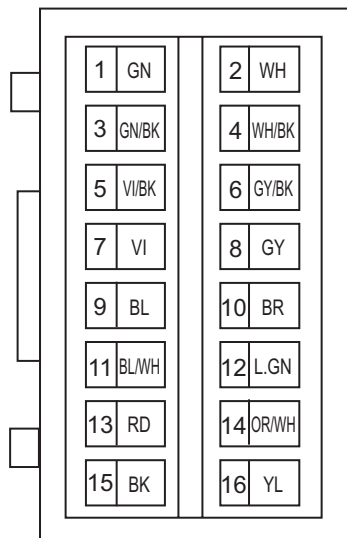
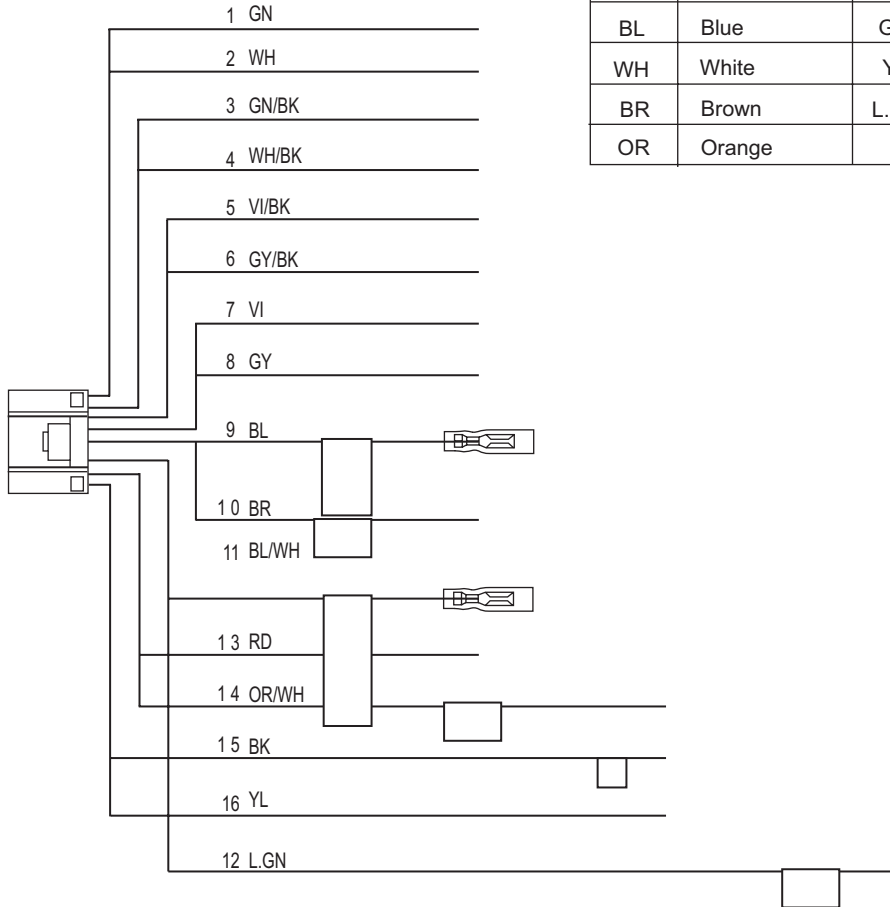
R/W CHROMA 2

Indication	Minimum value	Maximum value	Initial value	Reference register value		Detail
USER-BRIGHT	00	FF	FF	00	Fix	Brightness control
SUB-BRIGHT R	00	7F	3F	00	Fix	Sub brightness control for R output signal
SUB-BRIGHT B	00	7F	3F	00	Fix	Sub brightness control for R output signal
CONTRAST	00	FF	80	00	Fix	Contrast control
SUB-CONTRAST R	00	7F	3F	00	Fix	Controls the Y amplitude
SUB-CONTRAST B	00	7F	3F	00	Fix	Controls the Y amplitude
GAMMA 1	00	7F	3F	00	Fix	Correction peak point
GAMMA 2	00	7F	3F	00	Fix	Boost gain correction peak point
COM-LEVEL	00	7F	3F	00	Fix	COM-LEVEL
COM-DC (NTSC)	00	7F	3F	00	Fix	Reference DC output
VCO 11 (NTSC)	00	FF	80	00	Fix	VCO FREE-RUN adjustment (NTSC)
VCO 11 (PAL)	00	FF	80	00	Fix	VCO FREE-RUN adjustment (PAL)
LPF	00	07	00	00	Fix	LPF
TRAP	00	01	00	00	Fix	TRAP
SLCLP1	00	01	00	00	Fix	SLCLP1
SLCLP0	00	01	00	00	Fix	SLCLP0
H-POSITION (NTSC)	00	3F	3F	00	Fix	H-POSITION
S/H-POSITION	00	07	00	00	Fix	S / H POSITION
HDO-POSITION	00	1F	00	00	Fix	HDO-POSITION
SLPAIR	00	01	00	00	Fix	SLPAIR
BLK-POSITION	00	1F	00	00	Fix	BLK-POSITION
S/H-POSITION2	00	07	00	00	Fix	S / H POSITION2
H POSITION (NTSC)	00	0F	00	01	Fix	
H-POSITION (PAL)	00	3F	3F	01	Fix	H-POSITION
VCO 33 (NTSC)	00	FF	80	00	Fix	VCO FREE-RUN adjustment (NTSC)
VCO 33 (PAL)	00	FF	80	00	Fix	VCO FREE-RUN adjustment (PAL)
COM-DC (PAL)	00	7F	3F	00	Fix	Reference DC output
H POSITION (PAL)	00	0F	00	00	Fix	

SECTION 5 TROUBLESHOOTING

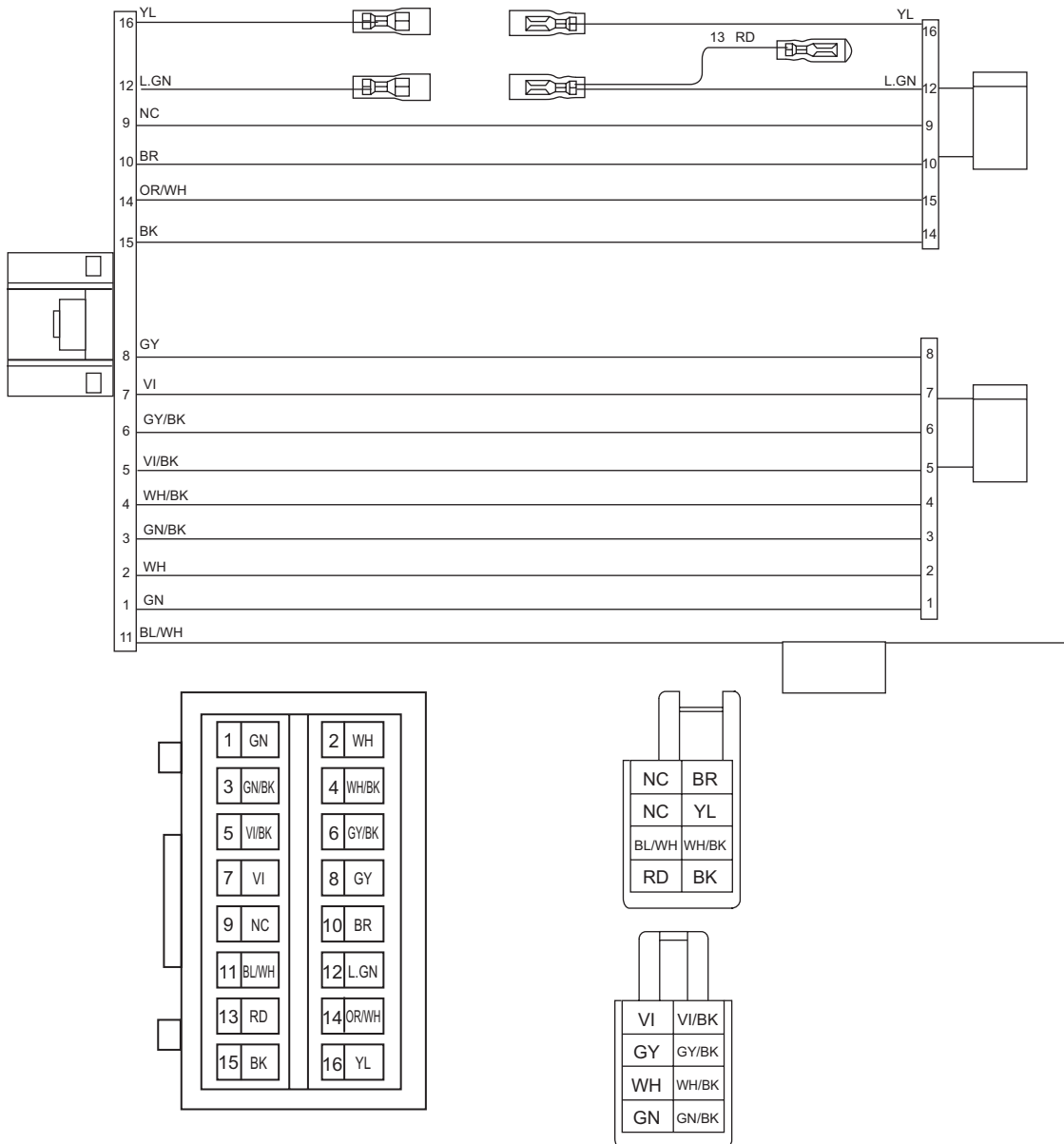
5.1 16 PIN CORD DIAGRAM (for Northern America)

BK	Black	GN	Green
RD	Red	VI	Violet
BL	Blue	GY	Gray
WH	White	YL	Yellow
BR	Brown	L.GN	LightGreen
OR	Orange		

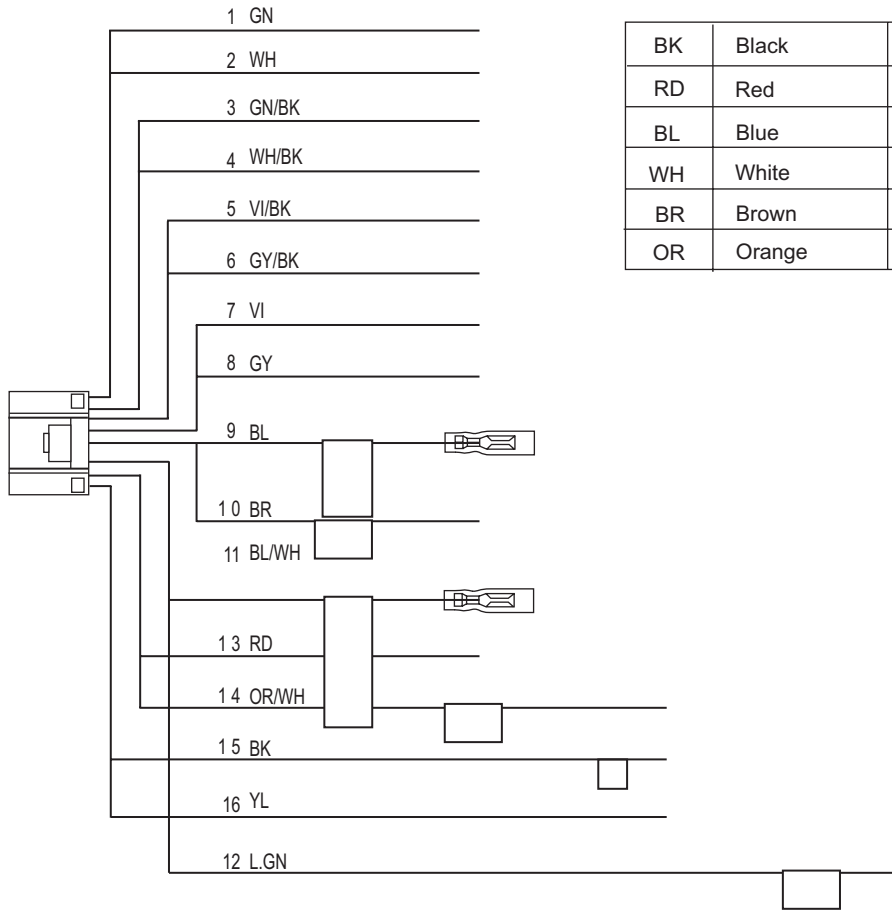


5.2 16 PIN CORD DIAGRAM (for Europe)

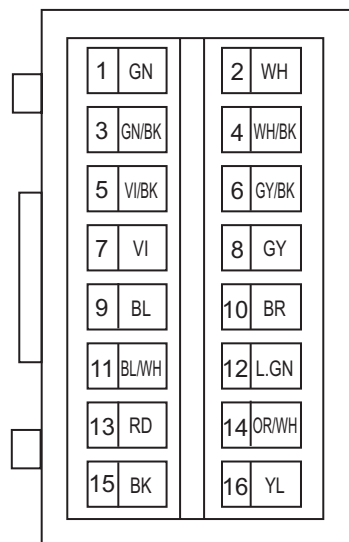
BK	Black	GN	Green
RD	Red	VI	Violet
BL	Blue	GY	Gray
WH	White	YL	Yellow
BR	Brown	OR	Orange
L.GN	LightGreen		



5.3 16 PIN CORD DIAGRAM (for Asia)



BK	Black	GN	Green
RD	Red	VI	Violet
BL	Blue	GY	Gray
WH	White	YL	Yellow
BR	Brown	L.GN	LightGreen
OR	Orange		





JVC

Victor company of Japan, Limited
Mobile Entertainment Business Group Mobile Entertainment Category 10-1,1chome,Ohwatari-machi,Maebashi-city,371-8543,Japan

(No.MA320)



Printed in Japan
VPT

PARTS LIST

KW-AVX800J, KW-AVX800E, KW-AVX800EU
KW-AVX800EE, KW-AVX800U, KW-AVX800UN
KW-AVX800A

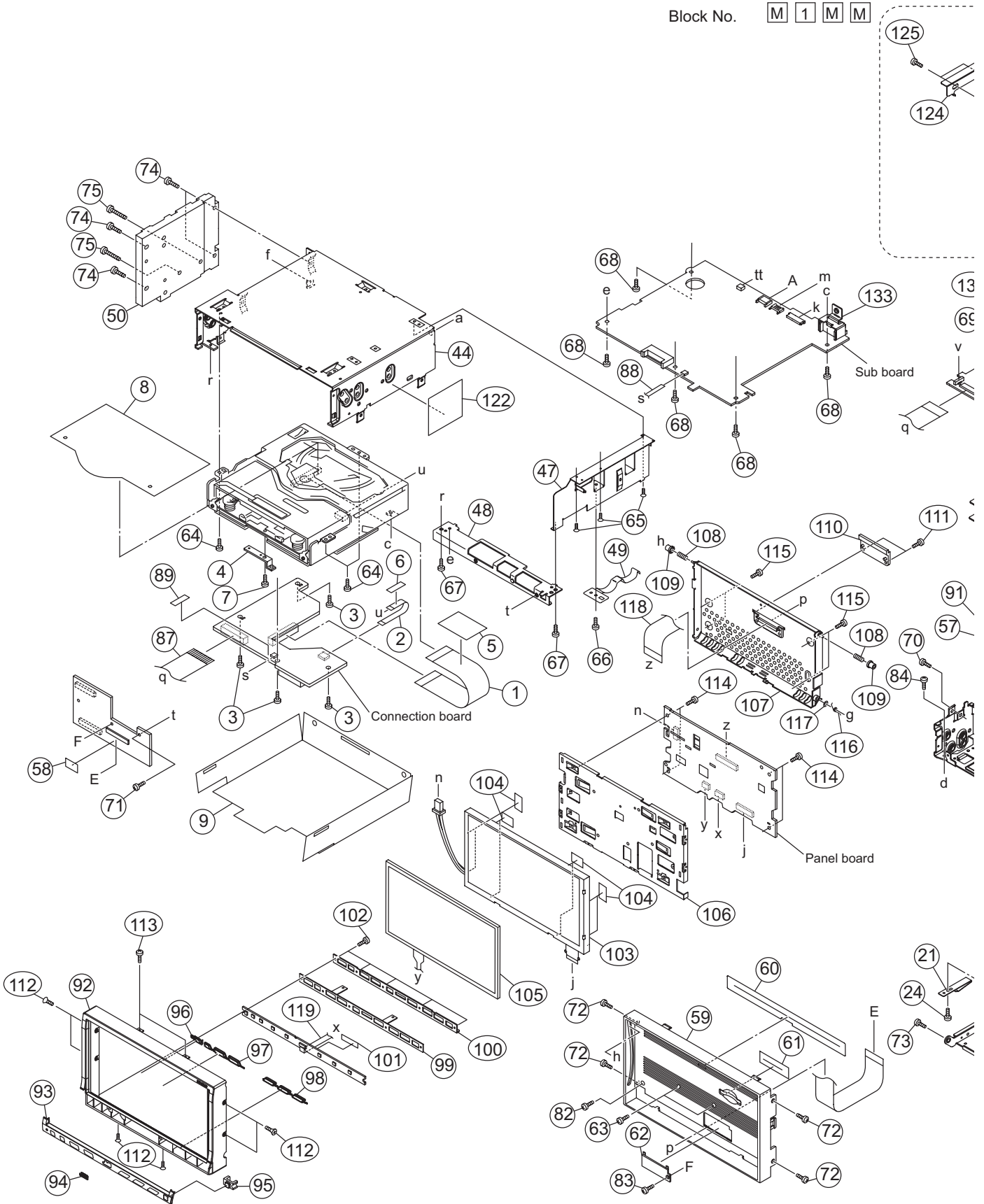
* All printed circuit boards and its assemblies are not available as service parts.

- Contents -

Exploded view of general assembly and parts list (Block No.M1)	3- 2
DVD mechanism assembly and parts list (Block No.MJ)	3- 6
Electrical parts list (Block No.01~05)	3- 9
Packing materials and accessories parts list (Block No.M3)	3-24

Exploded view of general assembly and parts list

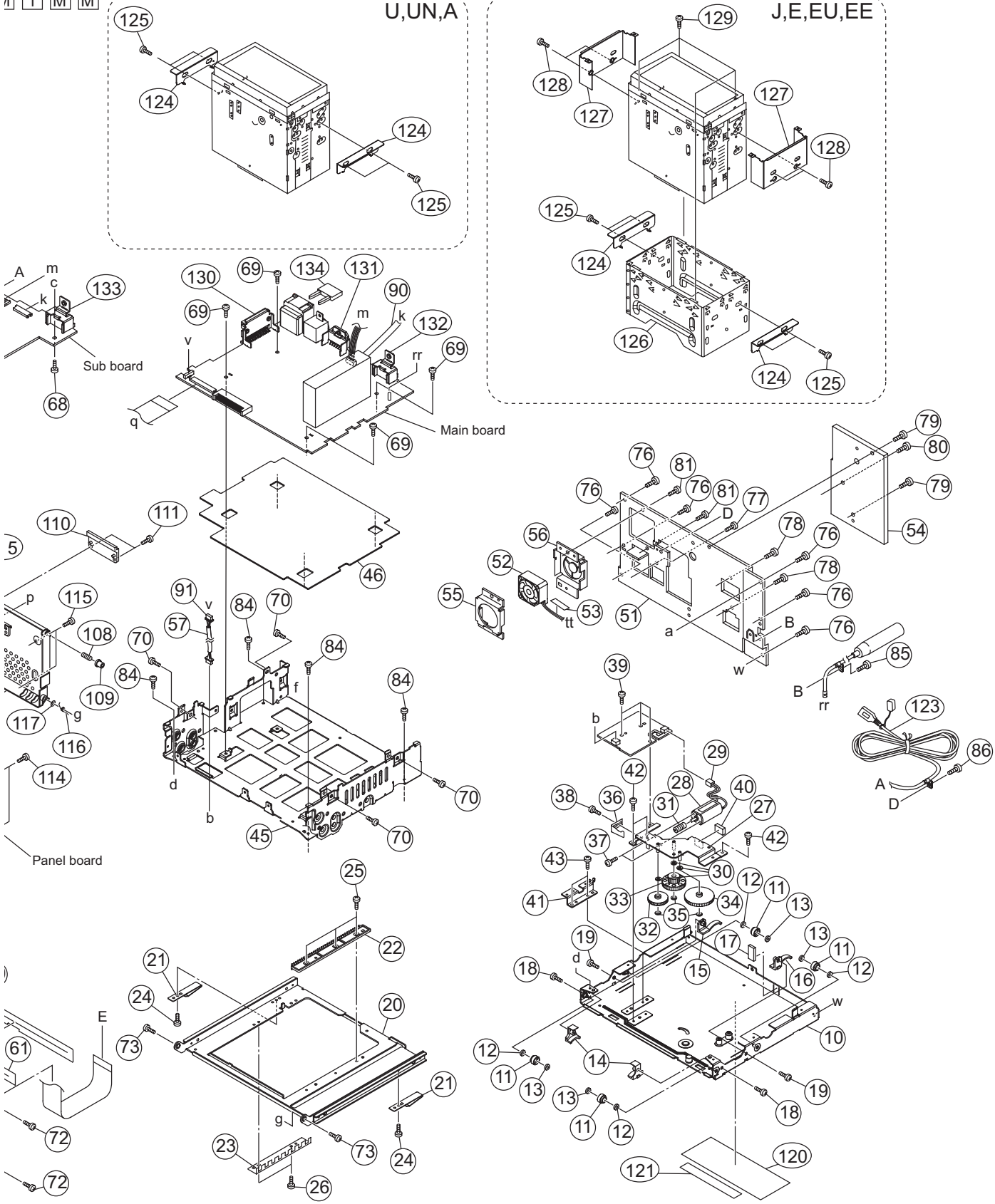
Block No. M 1 M M



1 1 M M

U,UN,A

J,E,EU,EE



General Assembly

Block No. [M][1][M][M]

△	Symbol No.	Part No.	Part Name	Description	Local
	1	QUQU05-6007BC-E	FFC WIRE	60pin 7cm	
	2	QUQU05-1406BC-E	FFC WIRE	14pin 6cm	
	3	LV41200-004A	SPECIAL SCREW	(x4)	
	4	LV36877-001A	MECHA BKT		
	5	LV44494-001A	PROTECT SHEET		
	6	LV44494-003A	PROTECT SHEET		
	7	QYSDST2004ZA	TAP SCREW	M2 x 4mm	
	8	LV34460-001A	INSULATOR		
	9	LV37567-001A	INSULATOR(DVD)		
	10	LV22458-001A	B.CHASSIS ASSY		
	11	LV44666-003A	ROLLER(SLD)	(x4)	
	12	QYWFM315013	WASHER	5mm/3.1mm x 0.13mm(x4)	
	13	QYWDL164035	SLIT WASHER	4mm/1.6mm x 0.35mm(x4)	
	14	LV36940-002A	RAIL GUIDE	(x2)	
	15	LV37308-001A	GUIDE SPRING(L)		
	16	LV37309-001A	GUIDE SPRING(R)		
	17	LV40846-053A	SPACER(F)		
	18	QYSPSFT1745ZA	TAP SCREW	M1.7 x 4.5mm(x2)	
	19	QYSPSFT1745ZA	TAP SCREW	M1.7 x 4.5mm(x2)	
	20	LV36514-007A	DRIVE PLATE ASS		
	21	LV44453-003A	FRICTION SPRING	(x2)	
	22	LV36516-001A	RACK GEAR		
	23	LV36517-002A	PHOTO PLATE		
	24	LV44159-004A	MINI SCREW	(x2)	
	25	LV44159-004A	MINI SCREW	(x3)	
	26	LV44159-004A	MINI SCREW	(x2)	
	27	LV36509-002A	D.CHASSIS ASSY		
	28	QAR0378-001	MOTOR		
	29	WJM0460-001A-E	E-SI C WIRE C-F		
	30	QYWFM265013	WASHER	5mm/2.6mm x 0.13mm(x3)	
	31	LV44451-001A	WORM GEAR		
	32	LV36511-001A	SECOND GEAR		
	33	LV36512-001A	THIRD GEAR		
	34	LV36513-001A	FORTH GEAR		
	35	QYWDM215025	SLIT WASHER	5mm/2.1mm x 0.25mm(x3)	
	36	LV44452-001A	SPRING(WORM)		
	37	QYSPSPT2020ZA	SCREW	M2 x 2mm(x2)	
	38	LV44159-004A	MINI SCREW		
	39	LV44615-001A	SCREW	(x3)	
	40	LV40846-057A	SPACER(F)		
	41	LV36545-001A	PCB BKT		
	42	LV44159-004A	MINI SCREW	(x3)	
	43	LV44159-004A	MINI SCREW	(x2)	
	44	LV11354-001A	TOP CHASSIS		
	45	LV11353-001A	MID CHASSIS		
	46	LV37302-002A	INSULATOR		
	47	LV22459-001A	SUB PCB BKT		
	48	LV22460-002A	FRONT PCB BKT		
	49	LV37303-001A	EARTH SP(TUNNER)		
	50	LV37304-002A	SIDE HEAT SINK		
	51	LV22461-001A	REAR BRACKET		
	52	QAR0455-001	COOLING FAN		
	53	LV40847-002A	SPACER		
	54	LV37305-001A	REAR HEAT SINK		
	55	LV37313-001A	FAN BKT(IN)		
	56	LV37314-002A	FAN BKT(OUT)		
	57	LV40847-016A	SPACER(H)		
	58	LV40848-079A	SPACER(P)		
	59	LV22462-004A	F.CHASSIS ASSY		J
	59	LV22462-003A	F.CHASSIS ASSY		E,EU,EE,U,UN,A
	60	GE40156-001A	BLIND		
	61	LV44761-001A	BLIND(SD)		
	62	LV37307-001A	FPC GUIDE		
	63	QYSDST2006MA	TAP SCREW	M2 x 6mm(x2)	
	64	QYSDST2604ZA	TAP SCREW	M2.6 x 4mm(x3)	
	65	LV44159-004A	MINI SCREW	(x3)	
	66	LV44615-001A	SCREW		
	67	LV41200-004A	SPECIAL SCREW	(x2)	
	68	LV41200-004A	SPECIAL SCREW	(x5)	
	69	LV41200-004A	SPECIAL SCREW	(x4)	
	70	LV41200-004A	SPECIAL SCREW	(x4)	
	71	LV44615-001A	SCREW		
	72	LV44159-004A	MINI SCREW	(x4)	
	73	LV44470-002A	SPECIAL SCREW	(x2)	

△	Symbol No.	Part No.	Part Name	Description	Local
	74	GE40377-003A	SPECIAL SCREW	(x4)	
	75	LV41200-007A	SPECIAL SCREW	(x2)	
	76	LV41200-004A	SPECIAL SCREW	(x6)	
	77	LV41200-004A	SPECIAL SCREW		
	78	LV41200-004A	SPECIAL SCREW	(x2)	
	79	GE40377-003A	SPECIAL SCREW	(x2)	
	80	GE40377-003A	SPECIAL SCREW		
	81	LV41200-004A	SPECIAL SCREW	(x2)	
	82	QYSDST2006MA	TAP SCREW	M2 x 6mm	
	83	QYSDST2006MA	TAP SCREW	M2 x 6mm	
	84	LV44615-001A	SCREW	(x4)	
	85	LV41200-004A	SPECIAL SCREW		
	86	LV41200-004A	SPECIAL SCREW		
	87	QUQU05-4407AJ-E	FFC WIRE	44pin 7cm	
	88	QUQU05-0704AC-E	FFC WIRE	7pin 4cm	
	89	LV40847-044A	SPACER(H)		
	90	QUQU05-2305BC-E	FFC WIRE	23pin 5cm	
	91	QJJ060-060801-E	SIN CR C-C W		
	92	LV11349-001A	FRONT PANEL		
	93	LV22453-003A	LOWER PANEL		J,U,UN,A
	93	LV22453-002A	LOWER PANEL		E
	93	LV22453-004A	LOWER PANEL		EU,EE
	94	GE40347-001A	JVC BADGE		
	95	LV37296-001A	REMOTE LENS		
	96	LV37297-004A	POWER BUTTON		J,EU,EE,U,UN,A
	96	LV37297-003A	POWER BUTTON		E
	97	LV22454-003A	BUTTON L		J,U,UN,A
	97	LV22454-002A	BUTTON L		E
	97	LV22454-004A	BUTTON L		EU,EE
	98	LV22455-004A	BUTTON R		J,EU,EE,U,UN,A
	98	LV22455-003A	BUTTON R		E
	99	LV22456-001A	EARTH BKT(KEY)		
	100	LV22457-001A	PCB COVER		
	101	LV40848-082A	SPACER(P)		
	102	LV44464-001A	SPECIAL SCREW	(x5)	
	103	QLD0500-001	LCD MODULE		
	104	LV40847-042A	SPACER(H)	(x8)	
	105	QAL0965-001	TOUCH PANEL		
	106	LV37298-001A	PANEL BKT ASSY		
	107	LV37301-001A	FRONT BKT ASSY		
	108	LV44468-001A	SPRING	(x2)	
	109	LV44469-001A	ROLLER	(x2)	
	110	LV37306-001A	FPC COVER		
	111	LV44159-004A	MINI SCREW	(x2)	
	112	LV43819-003A	SPECIAL SCREW	(x6)	
	113	LV43819-003A	SPECIAL SCREW	(x2)	
	114	LV44615-001A	SCREW	(x4)	
	115	LV44615-001A	SCREW	(x4)	
	116	LV44471-003A	TOR SPRING		
	117	QYWFM628050	WASHER	8mm/6.2mm x 0.5mm	
	118	QAL0937-001	FPC		
	119	QAL0938-001	FPC		
	120	LV37469-002A	NAME PLATE		J
	120	LV37470-002A	NAME PLATE		E,EU
	120	LV37472-002A	NAME PLATE		EE
	120	LV37476-001A	NAME PLATE		U,UN
	120	LV37474-001A	NAME PLATE		A
	121	LV44603-003A	LASER CAUTION		
	122	LV42940-002A	CAUTION LABEL		
	123	QAM0947-002	USB CABLE		
	124	LV37518-001A	TRANSPORT BKT	(x2)	J,E,EU,EE
	124	LV36544-001A	TRANSPORT BKT	(x2)	U,UN,A
	125	QYSDSP5008ZA	SCREW	M5 x 8mm(x4)	
	126	LV22425-006A	SLEEVE ASSY		J,E,EU,EE
	127	LV37151-002A	SUPPORT BKT	(x2)	J,E,EU,EE
	128	QYSSSP5008ZA	SCREW	M5 x 8mm(x4)	J,E,EU,EE
	129	QYSDSP2603ZA	SCREW	M2.6 x 3mm(x4)	J,E,EU,EE
	130	LV43967-001A	IC BRACKET		
	131	LV43373-002A	REGULATOR BKT		
	132	LV36554-002A	CONNECTOR BKT		
	133	LV36554-002A	CONNECTOR BKT		
△	134	QMFZ039-150-T	FUSE	15A	

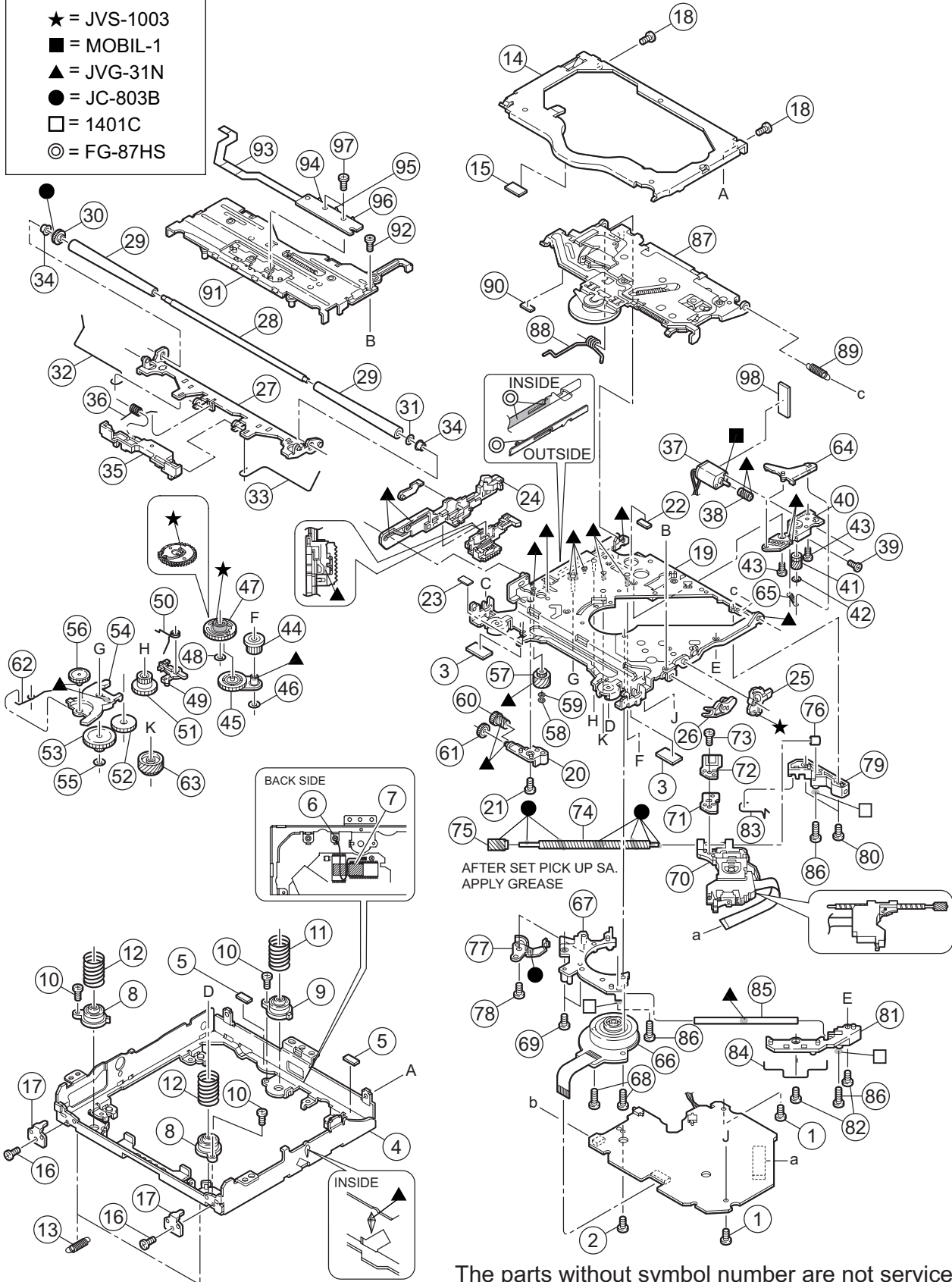
DVD mechanism assembly and parts list

FMU-JD9-21D

Block No. M J M M

Grease

- ★ = JVS-1003
- = MOBIL-1
- ▲ = JVG-31N
- = JC-803B
- = 1401C
- ◎ = FG-87HS



The parts without symbol number are not service.

DVD mechanism

Block No. [M][J][M][M]

△	Symbol No.	Part No.	Part Name	Description	Local
	1	VKZ4539-056	MINI SCREW	(x2)	
	2	QYSPSFT2040ZA	TAP SCREW	M2 x 4mm	
	3	LV43481-001A	COOLING RUBBER	(x2)	
	4	LV10674-001A	CHASSIS FRAME		
	5	LV30225-0J6A	SPACER	(x2)	
	6	VKZ4539-056	MINI SCREW		
	7	VYSA1R4-056	SPACER		
	8	LV35272-001A	DAMPER(F)	(x2)	
	9	LV35273-001A	DAMPER(R)		
	10	QYSDST2005ZA	TAP SCREW	M2 x 5mm(x3)	
	11	LV43039-001A	DAMPER SP.(R)		
	12	LV43849-001A	DAMPER SP(F2)	(x2)	
	13	LV43041-001A	FLOATING SPRING	(x2)	
	14	LV10675-002A	TOP COVER		
	15	LV30225-0J5A	SPACER		
	16	VKZ4539-056	MINI SCREW	(x2)	
	17	LV33669-001A	STOPPER	(x2)	
	18	VKZ4539-056	MINI SCREW	(x2)	
	19	LV21297-004A	CHAS. BASE ASSY		
	20	LV33608-003A	GEAR HOLDER		
	21	VKZ4539-056	MINI SCREW		
	22	LV43561-002A	ABSORBER		
	23	LV30225-0J5A	SPACER		
	24	LV36831-001A	SLIDE CAM ASSY2		
	25	LV33610-002A	FLOATING ARM		
	26	LV33611-001A	CONNECT ARM		
	27	LV33678-003A	LOADING A. ASSY		
	28	LV43049-001A	LOADING SHAFT		
	29	LV43052-003A	ROLLER	(x2)	
	30	LV33612-001A	LOADING GEAR		
	31	QYWFM124013	WASHER	4mm/1.2mm x 0.13mm	
	32	LV43053-002A	ROD(L)		
	33	LV43054-003A	ROD(R)		
	34	LV43001-001A	COLLAR	(x2)	
	35	LV21285-005A	PROTECTOR		
	36	LV43055-001A	PROTECTOR SP.		
	37	QAR0373-002	MOTOR		
	38	LV43002-002A	WORM GEAR		
	39	QYSPSPT2025MA	SCREW	M2 x 2.5mm(x2)	
	40	LV33679-002A	MOTOR H. ASSY		
	41	LV33614-003A	WORM WHEEL		
	42	QYWDL1230250	SLIT WASHER	3mm/1.2mm x 0.25mm	
	43	VKZ4539-056	MINI SCREW	(x2)	
	44	LV33615-001A	GEAR 2		
	45	LV43057-004A	IDLER ARM ASSY		
	46	QYWDL1635252	SLIT WASHER	3.5mm/1.6mm x 0.25mm	
	47	LV21286-001A	CONTROL CAM		
	48	QYWDL1230196	SLIT WASHER	3mm/1.2mm x 0.19mm	
	49	LV33616-003A	LOAD LOCK LEV		
	50	LV43060-001A	CAM SPRING		
	51	LV43005-001A	GEAR 4		
	52	LV43006-003A	GEAR 5		
	53	LV33617-003A	GEAR 6		
	54	LV33618-002A	LOADING G. ARM		
	55	QYWDL1635252	SLIT WASHER	3.5mm/1.6mm x 0.25mm	
	56	LV43007-003A	GEAR 7		
	57	LV33619-002A	GEAR 8		
	58	LV42132-001A	E RING		
	59	QYWFM215013	WASHER	5mm/2.1mm x 0.13mm	
	60	LV33620-001A	GEAR 9		
	61	LV43008-001A	GEAR10		
	62	LV43061-001A	LOAD SPRING		
	63	LV33621-001A	FEED GEAR		
	64	LV33622-003A	TRIGGER ARM		
	65	LV43062-001A	FEED TRI.SPRING		
	66	QAR0240-002	SPINDEL MOTOR		
	67	LV21287-003A	SPINDLE BASE		
	68	LV44169-001A	SPECIAL SCREW	(x2)	
	69	VKZ4539-056	MINI SCREW	(x2)	
	70	QAL0742-001	DVD PICK UP		
	71	LV34583-002A	CD RACK PLATE		
	72	LV34579-001A	CD RACK SPRING		
	73	LV43903-002A	MINI TAP SCREW		
	74	LV43037-001A	LEAD SCREW		

△ Symbol No.	Part No.	Part Name	Description	Local
75	LV43010-001A	L.S.GEAR		
76	LV43063-001A	L.S.COLLAR		
77	LV43011-001A	THRUST SPRING		
78	QYSPSFT2040ZA	TAP SCREW	M2 x 4mm	
79	LV33624-001A	HOLDER(M)		
80	VKZ4539-056	MINI SCREW	(x2)	
81	LV22130-001A	HOLDER(S) 2		
82	VKZ4539-056	MINI SCREW	(x2)	
83	LV43064-001A	ROD(M)		
84	LV43065-001A	ROD(S)		
85	LV43066-001A	SUB SHAFT		
86	VKZ4730-003	SPECIAL SCREW	(x3)	
87	LV21298-008A	CLAMPER UNIT		
88	LV43070-001A	CLAMPER SPRING		
89	LV43355-001A	CLAMPER2 SPRING		
90	LV30225-0J6A	SPACER		
91	LV22185-004A	FRONT UNIT(C)		
92	VKZ4539-056	MINI SCREW		
93	LVB30012-002A	SW FPC		
94	NSW0187-001	SWITCH	S1	
95	NSW0187-001	SWITCH	S1	
96	NSW0187-001	SWITCH	S1	
97	VKZ4539-055	MINI SCREW	(x2)	
98	VYSA1R3-035	SPACER		

Electrical parts list

Main board

Block No. [0][1]

△ Symbol No.	Part No.	Part Name	Description	Local	△ Symbol No.	Part No.	Part Name	Description	Local
IC31	LC72725KM-X	IC		E,EU,EE	Q3803	RT1N141C-X	DIGI TRANSISTOR		
IC39	BA6956AN	IC			Q8041	RTQ035N03-W	MOS FET		
IC51	BD3433K	IC			Q8042	2SA1530A/QR/-X	TRANSISTOR		
IC71	TC4053BFT-X	I.C C.M			Q8043	2SC3928A/QR/-X	TRANSISTOR		
IC341	TC4053BFT-X	I.C C.M			Q8061	2SC3928A/QR/-X	TRANSISTOR		
IC351	TDA7416	IC			Q8091	2SA1530A/QR/-X	TRANSISTOR		
IC371	TB2904HQ	IC			Q8501	RT1N141C-X	DIGI TRANSISTOR		
IC381	NJM4565V-X	IC			D1	MC2838-X	DIODE		
△ IC701	UPD78F1167GC2C	IC(PROGRAMED)			D2	MA111-X	SI DIODE		
IC721	BR24L32F-W-X	IC(DIGITAL)			D3	MA111-X	SI DIODE		
IC731	S-80824CNNB-G-W	IC			D51	MA22D23-X	SB DIODE		
IC801	R2S25400DS-E	IC			D151	MC2836-X	DIODE		
IC802	TC7SH08FU-X	IC			D251	MC2836-X	DIODE		
△ IC804	BA9743AFV-X	IC			D352	MA111-X	SI DIODE		
△ IC822	BD9781HFP-W	IC			D361	MA111-X	SI DIODE		
IC823	BH33MA3WHFV-W	IC			D362	MA8047/M/-X	Z DIODE		J,E,EU,EE
IC824	BH33MA3WHFV-W	IC			D371	MA8110/M/-X	Z DIODE		
△ IC871	BD9781HFP-W	IC			D702	MA2SD31-X	SB DIODE		
IC872	TC7SET08FU-J-X	IC(DIGITAL)			D731	MA111-X	SI DIODE		
IC881	TC7WT241FU-X	IC			D821	RB051L-40-X	SB DIODE		
IC882	TC7WT241FU-X	IC			D822	RB051L-40-X	SB DIODE		
Q1	2SC3928A/QR/-X	TRANSISTOR		E,EU,EE	D823	MA22D23-X	SB DIODE		
Q2	2SC3928A/QR/-X	TRANSISTOR		E,EU,EE	D824	MA22D23-X	SB DIODE		
Q3	RT1N141C-X	DIGI TRANSISTOR			D841	MA8110/M/-X	Z DIODE		
Q4	2SA1530A/QR/-X	TRANSISTOR			D842	MC2836-X	DIODE		
Q5	2SA1530A/QR/-X	TRANSISTOR			D843	MA111-X	SI DIODE		
Q7	2SC3928A/QR/-X	TRANSISTOR		E,EU,EE	D845	MA111-X	SI DIODE		
Q8	RT1P141C-X	DIGI TRANSISTOR		E,EU,EE	D846	MC2836-X	DIODE		
Q9	RT1P141C-X	DIGI TRANSISTOR		E,EU,EE	D847	MA111-X	SI DIODE		
Q10	RT1P141C-X	DIGI TRANSISTOR		E,EU,EE	△ D850	1N5401-F64	SI DIODE		
Q12	RT1N141C-X	DIGI TRANSISTOR			D861	MA22D23-X	SB DIODE		
Q13	RT1P141C-X	DIGI TRANSISTOR			D871	CRS03-W	SB DIODE		
Q36	RT1N141C-X	DIGI TRANSISTOR			D872	CRS03-W	SB DIODE		
Q74	RT1N141C-X	DIGI TRANSISTOR			D3803	MA22D23-X	SB DIODE		
Q75	RT1N141C-X	DIGI TRANSISTOR			D3804	MA8056/M/-X	Z DIODE		
Q111	2SC3928A/QR/-X	TRANSISTOR		E,EU,EE	D8041	RB051L-40-X	SB DIODE		
Q151	2SD2114K/VW/-X	TRANSISTOR			D8061	CRS03-W	SB DIODE		
Q161	2SD2114K/VW/-X	TRANSISTOR			D8062	CRS03-W	SB DIODE		
Q211	2SC3928A/QR/-X	TRANSISTOR		E,EU,EE	D8063	MA111-X	SI DIODE		
Q251	2SD2114K/VW/-X	TRANSISTOR			D8064	MA111-X	SI DIODE		
Q261	2SD2114K/VW/-X	TRANSISTOR			D8065	MA8180/H/-X	Z DIODE		
Q341	RT1N441C-X	TRANSISTOR			D8066	MA111-X	SI DIODE		
Q351	2SD2704K-X	TRANSISTOR			D8091	MA8091/M/-X	Z DIODE		
Q361	2SD2114K/VW/-X	TRANSISTOR			D8092	MA111-X	SI DIODE		
Q371	RT1N441C-X	TRANSISTOR			D8601	RB051L-40-X	SB DIODE		
Q372	RT1P441C-X	DIGI TRANSISTOR			D8602	RB051L-40-X	SB DIODE		
Q373	RT1N441C-X	TRANSISTOR			D8603	RB051L-40-X	SB DIODE		
Q374	2SC3928A/QR/-X	TRANSISTOR			D8801	MA22D23-X	SB DIODE		
Q701	RT1P441C-X	DIGI TRANSISTOR			D8802	MA22D23-X	SB DIODE		J,U,UN,A
Q702	RT1P441C-X	DIGI TRANSISTOR			D8803	MA22D23-X	SB DIODE		J,U,UN,A
Q703	RT1N441C-X	TRANSISTOR			C1	NCB31AK-474X	C CAPACITOR	0.47uF 10V K	E,EU,EE
Q704	RT1P441C-X	DIGI TRANSISTOR			C2	NCB31HK-102X	C CAPACITOR	1000pF 50V K	E,EU,EE
Q705	RT1N441C-X	TRANSISTOR			C3	NCB31HK-472X	C CAPACITOR	4700pF 50V K	E,EU,EE
Q706	SSM3K15FS-X	MOS FET			C4	NCB31HK-103X	C CAPACITOR	0.01uF 50V K	E,EU,EE
Q801	RSQ030P03-W	MOS FET			C5	NCB31HK-103X	C CAPACITOR	0.01uF 50V K	J,U,UN,A
Q802	RT1N141C-X	DIGI TRANSISTOR			C7	NCF31HZ-473X	C CAPACITOR	0.047uF 50V Z	
Q821	2SB1132/QR/-W	TRANSISTOR			C8	QETN1EM-107Z	E CAPACITOR	100uF 25V M	
Q822	RT1N141C-X	DIGI TRANSISTOR			C9	NCB31CK-104X	C CAPACITOR	0.1uF 16V K	
Q823	2SA1530A/QR/-X	TRANSISTOR			C10	NDC31HJ-101X	C CAPACITOR	100pF 50V J	
Q824	RT1N441C-X	TRANSISTOR			C11	NCB31HK-104X	C CAPACITOR	0.1uF 50V K	E,EU,EE
Q825	2SA1530A/QR/-X	TRANSISTOR			C12	QETN1CM-107Z	E CAPACITOR	100uF 16V M	
Q827	RT1N141C-X	DIGI TRANSISTOR			C14	QETN1AM-227Z	E CAPACITOR	220uF 10V M	
Q841	RT1P141C-X	DIGI TRANSISTOR			C15	NCB31HK-103X	C CAPACITOR	0.01uF 50V K	
Q842	RT1P141C-X	DIGI TRANSISTOR			C17	QETN1EM-476Z	E CAPACITOR	47uF 25V M	
Q843	RT1P141C-X	DIGI TRANSISTOR			C18	NCB31CK-473X	C CAPACITOR	0.047uF 16V K	
Q844	RT1P141C-X	DIGI TRANSISTOR			C19	QETN1EM-476Z	E CAPACITOR	47uF 25V M	
Q845	RT1N141C-X	DIGI TRANSISTOR			C20	NCB31HK-103X	C CAPACITOR	0.01uF 50V K	
Q847	2SC3928A/QR/-X	TRANSISTOR			C31	NCB31HK-103X	C CAPACITOR	0.01uF 50V K	E,EU,EE
Q848	RT1N141C-X	DIGI TRANSISTOR			C32	QERF1CM-476Z	E CAPACITOR	47uF 16V M	E,EU,EE
Q861	2SA1530A/QR/-X	TRANSISTOR			C33	NDC31HJ-330X	C CAPACITOR	33pF 50V J	E,EU,EE
Q862	2SA1530A/QR/-X	TRANSISTOR			C34	NDC31HJ-330X	C CAPACITOR	33pF 50V J	E,EU,EE
					C35	NDC31HJ-561X	C CAPACITOR	560pF 50V J	E,EU,EE
					C36	NCB31HK-331X	C CAPACITOR	330pF 50V K	E,EU,EE

△ Symbol No.	Part No.	Part Name	Description	Local	△ Symbol No.	Part No.	Part Name	Description	Local
C37	QERF1CM-106Z	E CAPACITOR	10uF 16V M	E,EU,EE	C385	QETN1HM-106Z	E CAPACITOR	10uF 50V M	
C52	NCB31HK-103X	C CAPACITOR	0.01uF 50V K		C386	NCB31HK-103X	C CAPACITOR	0.01uF 50V K	
C53	NCB31HK-103X	C CAPACITOR	0.01uF 50V K		C701	NCB31CK-473X	C CAPACITOR	0.047uF 16V K	J,U,UN,A
C54	QETN1EM-476Z	E CAPACITOR	47uF 25V M		C702	NCB31HK-102X	C CAPACITOR	1000pF 50V K	
C55	QETN1HM-105Z	E CAPACITOR	1uF 50V M		C703	NCB30JK-105X	C CAPACITOR	1uF 6.3V K	
C56	QETN1HM-105Z	E CAPACITOR	1uF 50V M		C704	NCB30JK-105X	C CAPACITOR	1uF 6.3V K	
C57	QETN1HM-105Z	E CAPACITOR	1uF 50V M		C708	NDC31HJ-270X	C CAPACITOR	27pF 50V J	
C61	QETN1HM-105Z	E CAPACITOR	1uF 50V M		C709	NDC31HJ-220X	C CAPACITOR	22pF 50V J	
C62	QETN1HM-105Z	E CAPACITOR	1uF 50V M		C710	QETN0JM-108Z	E CAPACITOR	1000uF 6.3V M	
C63	QETN1HM-105Z	E CAPACITOR	1uF 50V M		C711	NCB31CK-104X	C CAPACITOR	0.1uF 16V K	
C64	QETN1HM-105Z	E CAPACITOR	1uF 50V M		C712	NCB31HK-102X	C CAPACITOR	1000pF 50V K	
C65	QETN1HM-105Z	E CAPACITOR	1uF 50V M		C721	NCB31HK-471X	C CAPACITOR	470pF 50V K	
C66	QETN1HM-105Z	E CAPACITOR	1uF 50V M		C731	NCB31HK-103X	C CAPACITOR	0.01uF 50V K	
C71	NCB31HK-103X	C CAPACITOR	0.01uF 50V K		C732	QETN1EM-476Z	E CAPACITOR	47uF 25V M	
C72	NCB31HK-103X	C CAPACITOR	0.01uF 50V K		C801	QETN1HM-106Z	E CAPACITOR	10uF 50V M	
C111	NCB31HK-223X	C CAPACITOR	0.022uF 50V K	J	C802	NCB31HK-104X	C CAPACITOR	0.1uF 50V K	
C111	NCB31HK-153X	C CAPACITOR	0.015uF 50V K	E,EU,EE, U,UN,A	C803	QETN1AM-227Z	E CAPACITOR	220uF 10V M	
C112	QETN1HM-475Z	E CAPACITOR	4.7uF 50V M		C804	NCB31CK-104X	C CAPACITOR	0.1uF 16V K	
C113	NCB31HK-821X	C CAPACITOR	820pF 50V K		C805	NCB31HK-103X	C CAPACITOR	0.01uF 50V K	
C120	QETN1HM-105Z	E CAPACITOR	1uF 50V M		C806	QETN1AM-227Z	E CAPACITOR	220uF 10V M	
C121	QETN1HM-105Z	E CAPACITOR	1uF 50V M		C807	QETN1HM-226Z	E CAPACITOR	22uF 50V M	
C122	QETN1HM-105Z	E CAPACITOR	1uF 50V M		C808	NCB31HK-102X	C CAPACITOR	1000pF 50V K	
C124	NCB31CK-104X	C CAPACITOR	0.1uF 16V K		C809	NCB31CK-104X	C CAPACITOR	0.1uF 16V K	
C142	QETN1HM-105Z	E CAPACITOR	1uF 50V M		C811	QETN1HM-226Z	E CAPACITOR	22uF 50V M	
C151	QETN1HM-475Z	E CAPACITOR	4.7uF 50V M		C823	NCB31HK-104X	C CAPACITOR	0.1uF 50V K	
C152	NDC31HJ-101X	C CAPACITOR	100pF 50V J		C824	NCB31HK-472X	C CAPACITOR	4700pF 50V K	
C161	QETN1HM-475Z	E CAPACITOR	4.7uF 50V M		C827	QEZO595-477Z	E CAPACITOR	470uF 25V M	
C162	NDC31HJ-101X	C CAPACITOR	100pF 50V J		C828	QEZO595-477Z	E CAPACITOR	470uF 25V M	
C165	NCB31HK-102X	C CAPACITOR	1000pF 50V K		C829	NCB31HK-104X	C CAPACITOR	0.1uF 50V K	
C172	NFV81CM-105X	MF CAPACITOR	1uF 16V M		C830	NCB31CK-105X	C CAPACITOR	1uF 16V K	
C173	NDC31HJ-101X	C CAPACITOR	100pF 50V J		C831	QETN1AM-227Z	E CAPACITOR	220uF 10V M	
C182	NFV81CM-105X	MF CAPACITOR	1uF 16V M		C832	NCB31HK-103X	C CAPACITOR	0.01uF 50V K	
C183	NDC31HJ-101X	C CAPACITOR	100pF 50V J		C834	NCB31CK-104X	C CAPACITOR	0.1uF 16V K	
C211	NCB31HK-223X	C CAPACITOR	0.022uF 50V K	J	C835	NCB31HK-103X	C CAPACITOR	0.01uF 50V K	
C211	NCB31HK-153X	C CAPACITOR	0.015uF 50V K	E,EU,EE, U,UN,A	C836	NCB31HK-103X	C CAPACITOR	0.01uF 50V K	
C212	QEK31HM-475Z	E CAPACITOR	4.7uF 50V M		C837	NCB31CK-104X	C CAPACITOR	0.1uF 16V K	
C213	NCB31HK-821X	C CAPACITOR	820pF 50V K		C838	QETN0JM-108Z	E CAPACITOR	1000uF 6.3V M	
C220	QETN1HM-105Z	E CAPACITOR	1uF 50V M		C840	NCB31CK-105X	C CAPACITOR	1uF 16V K	
C221	QETN1HM-105Z	E CAPACITOR	1uF 50V M		C841	QETN1EM-476Z	E CAPACITOR	47uF 25V M	
C222	QETN1HM-105Z	E CAPACITOR	1uF 50V M		C844	QETN1EM-476Z	E CAPACITOR	47uF 25V M	
C224	NCB31CK-104X	C CAPACITOR	0.1uF 16V K		C845	NCB31HK-104X	C CAPACITOR	0.1uF 50V K	
C242	QETN1HM-105Z	E CAPACITOR	1uF 50V M		C847	QETN1HM-226Z	E CAPACITOR	22uF 50V M	
C251	QETN1HM-475Z	E CAPACITOR	4.7uF 50V M		C848	NCB30JK-105X	C CAPACITOR	1uF 6.3V K	
C252	NDC31HJ-101X	C CAPACITOR	100pF 50V J		C849	NCB31HK-104X	C CAPACITOR	0.1uF 50V K	
C261	QETN1HM-475Z	E CAPACITOR	4.7uF 50V M		C853	QEZO723-338	E CAPACITOR	3300uF 160V M	
C262	NDC31HJ-101X	C CAPACITOR	100pF 50V J		C854	QETN1HM-225Z	E CAPACITOR	2.2uF 50V M	
C265	NCB31HK-102X	C CAPACITOR	1000pF 50V K		C855	QETM1EM-108	E CAPACITOR	1000uF 25V M	
C272	NFV81CM-105X	MF CAPACITOR	1uF 16V M		C861	NCB31HK-104X	C CAPACITOR	0.1uF 50V K	
C273	NDC31HJ-101X	C CAPACITOR	100pF 50V J		C864	NCB31HK-104X	C CAPACITOR	0.1uF 50V K	
C282	NFV81CM-105X	MF CAPACITOR	1uF 16V M		C865	NCB31HK-104X	C CAPACITOR	0.1uF 50V K	
C283	NDC31HJ-101X	C CAPACITOR	100pF 50V J		C871	NCB31HK-472X	C CAPACITOR	4700pF 50V K	
C321	QETN1EM-107Z	E CAPACITOR	100uF 25V M		C872	NCB31HK-104X	C CAPACITOR	0.1uF 50V K	
C322	NCF31HZ-473X	C CAPACITOR	0.047uF 50V Z		C873	NCJ11EK-106X-R	C CAPACITOR	10uF 25V	
C323	QETN1HM-475Z	E CAPACITOR	4.7uF 50V M		C873	or NCJ11EK-106X-A	C CAPACITOR	10uF 25V K	
C324	NCB31CK-104X	C CAPACITOR	0.1uF 16V K		C874	NCJ11EK-106X-R	C CAPACITOR	10uF 25V	
C325	QETN1HM-226Z	E CAPACITOR	22uF 50V M		C874	or NCJ11EK-106X-A	C CAPACITOR	10uF 25V K	
C341	NCB31CK-105X	C CAPACITOR	1uF 16V K		C875	NCB31HK-103X	C CAPACITOR	0.01uF 50V K	
C342	NCB31CK-105X	C CAPACITOR	1uF 16V K		C876	QEZO595-477Z	E CAPACITOR	470uF 25V M	
C343	NCB31CK-104X	C CAPACITOR	0.1uF 16V K		C877	NCB31HK-103X	C CAPACITOR	0.01uF 50V K	
C344	NCB31CK-104X	C CAPACITOR	0.1uF 16V K		C878	NCB31HK-103X	C CAPACITOR	0.01uF 50V K	
C351	QETN1HM-106Z	E CAPACITOR	10uF 50V M		C879	NCB31HK-103X	C CAPACITOR	0.01uF 50V K	
C352	NCB31HK-102X	C CAPACITOR	1000pF 50V K		C881	NCB31HK-103X	C CAPACITOR	0.01uF 50V K	
C361	QETN1HM-475Z	E CAPACITOR	4.7uF 50V M		C882	NCB31HK-103X	C CAPACITOR	0.01uF 50V K	
C362	NCB31CK-223X	C CAPACITOR	0.022uF 16V K		C3801	QETN1EM-107Z	E CAPACITOR	100uF 25V M	
C363	NDC31HJ-101X	C CAPACITOR	100pF 50V J		C3802	NCF31HZ-473X	C CAPACITOR	0.047uF 50V Z	
C371	NCB31HK-103X	C CAPACITOR	0.01uF 50V K		C8033	NCB31CK-105X	C CAPACITOR	1uF 16V K	
C372	QETN1HM-106Z	E CAPACITOR	10uF 50V M		C8042	NCJ11EK-106X-R	C CAPACITOR	10uF 25V	
C373	QETN1HM-106Z	E CAPACITOR	10uF 50V M		C8042	or NCJ11EK-106X-A	C CAPACITOR	10uF 25V K	
C374	NCB31HK-103X	C CAPACITOR	0.01uF 50V K		C8043	NCJ11EK-106X-R	C CAPACITOR	10uF 25V	
C375	QETN1EM-476Z	E CAPACITOR	47uF 25V M		C8043	or NCJ11EK-106X-A	C CAPACITOR	10uF 25V K	
C376	QETN1HM-226Z	E CAPACITOR	22uF 50V M		C8044	QETN1EM-476Z	E CAPACITOR	47uF 25V M	
C377	QETN1HM-225Z	E CAPACITOR	2.2uF 50V M		C8046	NCB31HK-222X	C CAPACITOR	2200pF 50V K	
C378	QETN1HM-106Z	E CAPACITOR	10uF 50V M		C8047	NCB31HK-682X	C CAPACITOR	6800pF 50V K	
C381	QETN1HM-475Z	E CAPACITOR	4.7uF 50V M		C8048	NDC31HJ-221X	C CAPACITOR	220pF 50V J	
C383	NDC31HJ-221X	C CAPACITOR	220pF 50V J		C8061	QETN1EM-476Z	E CAPACITOR	47uF 25V M	
C384	NDC31HJ-221X	C CAPACITOR	220pF 50V J		C8062	NCB21CK-105X	C CAPACITOR	1uF 16V K	
					C8063	NCB31EK-104X	C CAPACITOR	0.1uF 25V K	
					C8065	NCF21CZ-105X	C CAPACITOR	1uF 16V Z	

△ Symbol No.	Part No.	Part Name	Description	Local	△ Symbol No.	Part No.	Part Name	Description	Local
C8066	NCF21HZ-105X	C CAPACITOR	1uF 50V Z		R181	NRSA63J-101X	MG RESISTOR	100Ω 1/16W J	
C8067	NCB31HK-104X	C CAPACITOR	0.1uF 50V K		R183	NRSA63J-102X	MG RESISTOR	1kΩ 1/16W J	
C8068	NCF21HZ-105X	C CAPACITOR	1uF 50V Z		R211	NRSA63J-822X	MG RESISTOR	8.2kΩ 1/16W J	J,U,UN,A
C8069	QETN1EM-107Z	E CAPACITOR	100uF 25V M		R211	NRSA63J-103X	MG RESISTOR	10kΩ 1/16W J	E,EU,EE
C8071	NCB31CK-104X	C CAPACITOR	0.1uF 16V K		R212	NRSA63J-682X	MG RESISTOR	6.8kΩ 1/16W J	J
C8073	NCB31CK-104X	C CAPACITOR	0.1uF 16V K		R212	NRSA63J-273X	MG RESISTOR	27kΩ 1/16W J	E,EU,EE, U,UN,A
C8074	NCB31HK-272X	C CAPACITOR	2700pF 50V K						
C8075	NCB31CK-104X	C CAPACITOR	0.1uF 16V K		R213	NRSA63J-472X	MG RESISTOR	4.7kΩ 1/16W J	
C8076	NCB31HK-103X	C CAPACITOR	0.01uF 50V K		R214	NRSA63J-0R0X	MG RESISTOR	0Ω 1/16W J	
C8091	QETN1EM-476Z	E CAPACITOR	47uF 25V M		R215	NRSA63J-0R0X	MG RESISTOR	0Ω 1/16W J	
C8092	NCB31CK-104X	C CAPACITOR	0.1uF 16V K		R216	NRSA63J-0R0X	MG RESISTOR	0Ω 1/16W J	
C8093	NCB31CK-105X	C CAPACITOR	1uF 16V K		R242	NRSA63J-473X	MG RESISTOR	47kΩ 1/16W J	
C8501	QETN1HM-104Z	E CAPACITOR	0.1uF 50V M		R251	NRSA63J-473X	MG RESISTOR	47kΩ 1/16W J	
C8605	QETN1EM-107Z	E CAPACITOR	100uF 25V M		R252	NRSA63J-102X	MG RESISTOR	1kΩ 1/16W J	
C8607	NCB31HK-102X	C CAPACITOR	1000pF 50V K		R253	NRSA63J-101X	MG RESISTOR	100Ω 1/16W J	
C8701	NCB31HK-102X	C CAPACITOR	1000pF 50V K		R254	NRSA63J-222X	MG RESISTOR	2.2kΩ 1/16W J	
C8801	NCB31HK-104X	C CAPACITOR	0.1uF 50V K	J,U,UN,A	R261	NRSA63J-473X	MG RESISTOR	47kΩ 1/16W J	
C8802	NCB31HK-104X	C CAPACITOR	0.1uF 50V K		R262	NRSA63J-102X	MG RESISTOR	1kΩ 1/16W J	
					R263	NRSA63J-101X	MG RESISTOR	100Ω 1/16W J	
R1	NRSA63J-471X	MG RESISTOR	470Ω 1/16W J	E,EU,EE	R264	NRSA63J-222X	MG RESISTOR	2.2kΩ 1/16W J	
R2	NRSA63J-103X	MG RESISTOR	10kΩ 1/16W J	E,EU,EE	R265	NRSA63J-151X	MG RESISTOR	150Ω 1/16W J	
R3	NRSA63J-103X	MG RESISTOR	10kΩ 1/16W J	E,EU,EE	R271	NRSA63J-101X	MG RESISTOR	100Ω 1/16W J	
R4	NRSA63J-103X	MG RESISTOR	10kΩ 1/16W J	E,EU,EE	R273	NRSA63J-102X	MG RESISTOR	1kΩ 1/16W J	
R5	NRSA63J-222X	MG RESISTOR	2.2kΩ 1/16W J	E,EU,EE	R281	NRSA63J-101X	MG RESISTOR	100Ω 1/16W J	
R6	NRSA63J-473X	MG RESISTOR	47kΩ 1/16W J	E,EU,EE	R283	NRSA63J-102X	MG RESISTOR	1kΩ 1/16W J	
R7	NRSA63J-223X	MG RESISTOR	22kΩ 1/16W J	E,EU,EE	R314	NRSA63J-0R0X	MG RESISTOR	0Ω 1/16W J	
R8	NRSA63J-220X	MG RESISTOR	22Ω 1/16W J		R321	NRSA63J-473X	MG RESISTOR	47kΩ 1/16W J	
R9	NRSA63J-220X	MG RESISTOR	22Ω 1/16W J		R322	NRSA63J-473X	MG RESISTOR	47kΩ 1/16W J	
R10	NRSA63J-473X	MG RESISTOR	47kΩ 1/16W J		R323	NRSA63J-473X	MG RESISTOR	47kΩ 1/16W J	
R11	NRSA63J-472X	MG RESISTOR	4.7kΩ 1/16W J		R326	NRSA63J-222X	MG RESISTOR	2.2kΩ 1/16W J	
R12	NRSA63J-473X	MG RESISTOR	47kΩ 1/16W J		R328	NRSA63J-0R0X	MG RESISTOR	0Ω 1/16W J	
R13	NRSA63J-332X	MG RESISTOR	3.3kΩ 1/16W J		R329	NRSA63J-101X	MG RESISTOR	100Ω 1/16W J	
R14	NRSA63J-330X	MG RESISTOR	33Ω 1/16W J		R343	NRSA63J-473X	MG RESISTOR	47kΩ 1/16W J	
R17	NRSA63J-0R0X	MG RESISTOR	0Ω 1/16W J	J,U,UN,A	R351	NRSA63J-103X	MG RESISTOR	10kΩ 1/16W J	
R18	NRSA63J-472X	MG RESISTOR	4.7kΩ 1/16W J	E,EU,EE	R352	NRSA63J-102X	MG RESISTOR	1kΩ 1/16W J	
R21	NRSA63J-4R7X	MG RESISTOR	4.7Ω 1/16W J		R353	NRSA63J-101X	MG RESISTOR	100Ω 1/16W J	
R24	NRSA63J-103X	MG RESISTOR	10kΩ 1/16W J		R354	NRSA63J-472X	MG RESISTOR	4.7kΩ 1/16W J	
R25	NRSA63J-0R0X	MG RESISTOR	0Ω 1/16W J	J,U,UN,A	R361	NRSA63J-473X	MG RESISTOR	47kΩ 1/16W J	
R26	NRSA63J-473X	MG RESISTOR	47kΩ 1/16W J		R362	NRSA63J-102X	MG RESISTOR	1kΩ 1/16W J	
R28	NRSA63J-153X	MG RESISTOR	15kΩ 1/16W J		R363	NRSA63J-101X	MG RESISTOR	100Ω 1/16W J	
R29	NRSA63J-243X	MG RESISTOR	24kΩ 1/16W J		R364	NRSA63J-222X	MG RESISTOR	2.2kΩ 1/16W J	
R30	NRSA63J-103X	MG RESISTOR	10kΩ 1/16W J		R365	NRSA63J-271X	MG RESISTOR	270Ω 1/16W J	J,E,EU,EE
R31	NRSA63J-103X	MG RESISTOR	10kΩ 1/16W J		R370	NRSA63J-473X	MG RESISTOR	47kΩ 1/16W J	
R35	NRSA63J-0R0X	MG RESISTOR	0Ω 1/16W J	E,EU,EE	R372	NRSA63J-473X	MG RESISTOR	47kΩ 1/16W J	
R36	NRSA63J-222X	MG RESISTOR	2.2kΩ 1/16W J	E,EU,EE	R373	NRSA63J-222X	MG RESISTOR	2.2kΩ 1/16W J	
R37	NRSA63J-222X	MG RESISTOR	2.2kΩ 1/16W J	E,EU,EE	R374	NRSA63J-100X	MG RESISTOR	10Ω 1/16W J	
R38	NRSA63J-0R0X	MG RESISTOR	0Ω 1/16W J	E,EU,EE	R375	NRSA63J-273X	MG RESISTOR	27kΩ 1/16W J	
R39	NRSA63J-222X	MG RESISTOR	2.2kΩ 1/16W J	E,EU,EE	R378	NRSA63J-103X	MG RESISTOR	10kΩ 1/16W J	
R53	NRSA63J-103X	MG RESISTOR	10kΩ 1/16W J		R382	NRSA63J-223X	MG RESISTOR	22kΩ 1/16W J	
R54	NRSA63J-103X	MG RESISTOR	10kΩ 1/16W J		R383	NRSA63J-223X	MG RESISTOR	22kΩ 1/16W J	
R55	NRSA63J-103X	MG RESISTOR	10kΩ 1/16W J		R384	NRSA63J-223X	MG RESISTOR	22kΩ 1/16W J	
R56	NRSA63J-101X	MG RESISTOR	100Ω 1/16W J		R385	NRSA63J-223X	MG RESISTOR	22kΩ 1/16W J	
R57	NRSA63J-101X	MG RESISTOR	100Ω 1/16W J		R386	NRSA63J-223X	MG RESISTOR	22kΩ 1/16W J	
R58	NRSA63J-101X	MG RESISTOR	100Ω 1/16W J		R387	NRSA63J-223X	MG RESISTOR	22kΩ 1/16W J	
R59	NRSA63J-393X	MG RESISTOR	39kΩ 1/16W J		R701	NRSA63J-0R0X	MG RESISTOR	0Ω 1/16W J	
R73	NRSA63J-473X	MG RESISTOR	47kΩ 1/16W J		R702	NRSA63J-221X	MG RESISTOR	220Ω 1/16W J	
R74	NRSA63J-473X	MG RESISTOR	47kΩ 1/16W J		R704	NRSA63J-103X	MG RESISTOR	10kΩ 1/16W J	
R111	NRSA63J-822X	MG RESISTOR	8.2kΩ 1/16W J	J,U,UN,A	R710	NRSA63J-102X	MG RESISTOR	1kΩ 1/16W J	
R111	NRSA63J-103X	MG RESISTOR	10kΩ 1/16W J	E,EU,EE	R711	NRSA63J-102X	MG RESISTOR	1kΩ 1/16W J	
R112	NRSA63J-682X	MG RESISTOR	6.8kΩ 1/16W J	J	R712	NRSA63J-106X	MG RESISTOR	10MΩ 1/16W J	
R112	NRSA63J-273X	MG RESISTOR	27kΩ 1/16W J	E,EU,EE, U,UN,A	R713	NRSA63J-101X	MG RESISTOR	100Ω 1/16W J	
					R715	NRSA63J-103X	MG RESISTOR	10kΩ 1/16W J	
R113	NRSA63J-472X	MG RESISTOR	4.7kΩ 1/16W J	E,EU,EE	R716	NRSA63J-220X	MG RESISTOR	22Ω 1/16W J	
R114	NRSA63J-0R0X	MG RESISTOR	0Ω 1/16W J		R717	NRSA63J-473X	MG RESISTOR	47kΩ 1/16W J	
R115	NRSA63J-0R0X	MG RESISTOR	0Ω 1/16W J		R718	NRSA63J-471X	MG RESISTOR	470Ω 1/16W J	
R116	NRSA63J-0R0X	MG RESISTOR	0Ω 1/16W J		R726	NRSA63J-102X	MG RESISTOR	1kΩ 1/16W J	
R142	NRSA63J-473X	MG RESISTOR	47kΩ 1/16W J		R727	NRSA63J-222X	MG RESISTOR	2.2kΩ 1/16W J	
R151	NRSA63J-473X	MG RESISTOR	47kΩ 1/16W J		R728	NRSA63J-102X	MG RESISTOR	1kΩ 1/16W J	
R152	NRSA63J-102X	MG RESISTOR	1kΩ 1/16W J		R732	NRSA63J-103X	MG RESISTOR	10kΩ 1/16W J	
R153	NRSA63J-101X	MG RESISTOR	100Ω 1/16W J		R734	NRSA63J-222X	MG RESISTOR	2.2kΩ 1/16W J	
R154	NRSA63J-222X	MG RESISTOR	2.2kΩ 1/16W J		R736	NRSA63J-101X	MG RESISTOR	100Ω 1/16W J	
R161	NRSA63J-473X	MG RESISTOR	47kΩ 1/16W J		R740	NRSA63J-222X	MG RESISTOR	2.2kΩ 1/16W J	
R162	NRSA63J-102X	MG RESISTOR	1kΩ 1/16W J		R741	NRSA63J-102X	MG RESISTOR	1kΩ 1/16W J	
R163	NRSA63J-101X	MG RESISTOR	100Ω 1/16W J		R742	NRSA63J-102X	MG RESISTOR	1kΩ 1/16W J	
R164	NRSA63J-222X	MG RESISTOR	2.2kΩ 1/16W J		R743	NRSA63J-102X	MG RESISTOR	1kΩ 1/16W J	
R165	NRSA63J-151X	MG RESISTOR	150Ω 1/16W J		R745	NRSA63J-102X	MG RESISTOR	1kΩ 1/16W J	
R171	NRSA63J-101X	MG RESISTOR	100Ω 1/16W J		R746	NRSA63J-222X	MG RESISTOR	2.2kΩ 1/16W J	
R173	NRSA63J-102X	MG RESISTOR	1kΩ 1/16W J		R747	NRSA63J-222X	MG RESISTOR	2.2kΩ 1/16W J	

△ Symbol No.	Part No.	Part Name	Description	Local	△ Symbol No.	Part No.	Part Name	Description	Local
R752	NRSA63J-102X	MG RESISTOR	1kΩ 1/16W J		R7010	NRSA63J-223X	MG RESISTOR	22kΩ 1/16W J	
R757	NRSA63J-102X	MG RESISTOR	1kΩ 1/16W J		R7011	NRSA63J-223X	MG RESISTOR	22kΩ 1/16W J	
R760	NRSA63J-102X	MG RESISTOR	1kΩ 1/16W J		R7012	NRSA63J-473X	MG RESISTOR	47kΩ 1/16W J	
R761	NRSA63J-222X	MG RESISTOR	2.2kΩ 1/16W J		R7013	NRSA63J-473X	MG RESISTOR	47kΩ 1/16W J	
R762	NRSA63J-222X	MG RESISTOR	2.2kΩ 1/16W J		R7014	NRSA63J-473X	MG RESISTOR	47kΩ 1/16W J	
R763	NRSA63J-222X	MG RESISTOR	2.2kΩ 1/16W J		R7015	NRSA63J-473X	MG RESISTOR	47kΩ 1/16W J	
R767	NRSA63J-103X	MG RESISTOR	10kΩ 1/16W J		R7016	NRSA63J-472X	MG RESISTOR	4.7kΩ 1/16W J	
R768	NRSA63J-103X	MG RESISTOR	10kΩ 1/16W J		R7018	NRSA63J-333X	MG RESISTOR	33kΩ 1/16W J	E,EU
R769	NRSA63J-103X	MG RESISTOR	10kΩ 1/16W J		R7018	NRSA63J-273X	MG RESISTOR	27kΩ 1/16W J	EE
R770	NRSA63J-102X	MG RESISTOR	1kΩ 1/16W J		R7018	NRSA63J-393X	MG RESISTOR	39kΩ 1/16W J	U,UN,A
R771	NRSA63J-222X	MG RESISTOR	2.2kΩ 1/16W J		R7019	NRSA63J-473X	MG RESISTOR	47kΩ 1/16W J	J
R772	NRSA63J-102X	MG RESISTOR	1kΩ 1/16W J		R7019	NRSA63J-153X	MG RESISTOR	15kΩ 1/16W J	E
R773	NRSA63J-101X	MG RESISTOR	100Ω 1/16W J		R7019	NRSA63J-223X	MG RESISTOR	22kΩ 1/16W J	EE
R774	NRSA63J-102X	MG RESISTOR	1kΩ 1/16W J		R7019	NRSA63J-912X	MG RESISTOR	9.1kΩ 1/16W J	U,UN,A
R775	NRSA63J-102X	MG RESISTOR	1kΩ 1/16W J		R7020	NRSA63J-103X	MG RESISTOR	10kΩ 1/16W J	
R776	NRSA63J-102X	MG RESISTOR	1kΩ 1/16W J		R7021	NRSA63J-472X	MG RESISTOR	4.7kΩ 1/16W J	
R777	NRSA63J-101X	MG RESISTOR	100Ω 1/16W J		R7022	NRSA63J-472X	MG RESISTOR	4.7kΩ 1/16W J	
R778	NRSA63J-101X	MG RESISTOR	100Ω 1/16W J		R7023	NRSA63J-103X	MG RESISTOR	10kΩ 1/16W J	
R780	NRSA63J-0R0X	MG RESISTOR	0Ω 1/16W J		R7024	NRSA63J-333X	MG RESISTOR	33kΩ 1/16W J	
R781	NRSA63J-472X	MG RESISTOR	4.7kΩ 1/16W J		R7025	NRSA63J-473X	MG RESISTOR	47kΩ 1/16W J	
R782	NRSA63J-102X	MG RESISTOR	1kΩ 1/16W J		R7026	NRSA63J-473X	MG RESISTOR	47kΩ 1/16W J	
R801	NRSA63J-562X	MG RESISTOR	5.6kΩ 1/16W J		R7027	NRSA63J-103X	MG RESISTOR	10kΩ 1/16W J	
R803	NRSA63J-102X	MG RESISTOR	1kΩ 1/16W J		R7028	NRSA63J-103X	MG RESISTOR	10kΩ 1/16W J	
R804	NRSA63J-103X	MG RESISTOR	10kΩ 1/16W J		R7032	NRSA63J-473X	MG RESISTOR	47kΩ 1/16W J	
R809	NRSA63J-912X	MG RESISTOR	9.1kΩ 1/16W J		R8040	NRSA63J-151X	MG RESISTOR	150Ω 1/16W J	
R810	NRSA63J-472X	MG RESISTOR	4.7kΩ 1/16W J		R8041	NRSA63J-100X	MG RESISTOR	10Ω 1/16W J	
R818	NRSA63J-0R0X	MG RESISTOR	0Ω 1/16W J		R8042	NRSA63J-471X	MG RESISTOR	470Ω 1/16W J	
R819	NRSA63J-183X	MG RESISTOR	18kΩ 1/16W J		R8043	NRSA63J-333X	MG RESISTOR	33kΩ 1/16W J	
R820	NRSA63J-563X	MG RESISTOR	56kΩ 1/16W J		R8044	NRSA63J-333X	MG RESISTOR	33kΩ 1/16W J	
R822	NRSA63J-823X	MG RESISTOR	82kΩ 1/16W J		R8045	NRSA63J-470X	MG RESISTOR	47Ω 1/16W J	
R823	NRSA63J-333X	MG RESISTOR	33kΩ 1/16W J		R8046	NRSA63J-102X	MG RESISTOR	1kΩ 1/16W J	
R824	NRSA63J-123X	MG RESISTOR	12kΩ 1/16W J		R8047	NRSA63J-103X	MG RESISTOR	10kΩ 1/16W J	
R825	NRSA63J-393X	MG RESISTOR	39kΩ 1/16W J		R8048	NRSA63J-0R0X	MG RESISTOR	0Ω 1/16W J	
R826	NRSA63J-393X	MG RESISTOR	39kΩ 1/16W J		R8049	NRSA63J-103X	MG RESISTOR	10kΩ 1/16W J	
R828	NRSA63J-223X	MG RESISTOR	22kΩ 1/16W J		R8050	NRSA63J-562X	MG RESISTOR	5.6kΩ 1/16W J	
R829	NRSA63J-471X	MG RESISTOR	470Ω 1/16W J		R8051	NRSA63J-0R0X	MG RESISTOR	0Ω 1/16W J	
R833	NRSA63J-471X	MG RESISTOR	470Ω 1/16W J		R8052	NRSA63J-0R0X	MG RESISTOR	0Ω 1/16W J	
R834	NRSA63J-473X	MG RESISTOR	47kΩ 1/16W J		R8053	NRSA63J-122X	MG RESISTOR	1.2kΩ 1/16W J	
R835	NRSA63J-222X	MG RESISTOR	2.2kΩ 1/16W J		R8054	NRSA63J-0R0X	MG RESISTOR	0Ω 1/16W J	
R844	NRSA63J-102X	MG RESISTOR	1kΩ 1/16W J		R8061	NRSA02J-100X	MG RESISTOR	10Ω 1/10W J	
R845	NRSA63J-102X	MG RESISTOR	1kΩ 1/16W J		R8062	NRSA02J-100X	MG RESISTOR	10Ω 1/10W J	
R848	NRSA63J-103X	MG RESISTOR	10kΩ 1/16W J		R8063	NRSA02J-100X	MG RESISTOR	10Ω 1/10W J	
R850	NRSA63J-472X	MG RESISTOR	4.7kΩ 1/16W J		R8064	NRSA02J-100X	MG RESISTOR	10Ω 1/10W J	
R852	NRSA63J-103X	MG RESISTOR	10kΩ 1/16W J		R8065	NRSA63J-0R0X	MG RESISTOR	0Ω 1/16W J	
R853	QRE142J-102X	C RESISTOR	1kΩ 1/4W J		R8066	NRSA63J-472X	MG RESISTOR	4.7kΩ 1/16W J	
R859	NRSA63J-104X	MG RESISTOR	100kΩ 1/16W J		R8071	NRSA63J-333X	MG RESISTOR	33kΩ 1/16W J	
R862	NRSA63J-103X	MG RESISTOR	10kΩ 1/16W J		R8072	NRSA63J-124X	MG RESISTOR	120kΩ 1/16W J	
R863	NRSA63J-104X	MG RESISTOR	100kΩ 1/16W J		R8073	NRSA63J-104X	MG RESISTOR	100kΩ 1/16W J	
R864	NRSA63J-103X	MG RESISTOR	10kΩ 1/16W J		R8074	NRSA63J-563X	MG RESISTOR	56kΩ 1/16W J	
R865	NRSA63J-104X	MG RESISTOR	100kΩ 1/16W J		R8077	NRSA63J-333X	MG RESISTOR	33kΩ 1/16W J	
R871	NRSA63J-333X	MG RESISTOR	33kΩ 1/16W J		R8078	NRSA63J-333X	MG RESISTOR	33kΩ 1/16W J	
R872	NRSA63J-823X	MG RESISTOR	82kΩ 1/16W J		R8082	NRSA63J-153X	MG RESISTOR	15kΩ 1/16W J	
R873	NRSA63J-123X	MG RESISTOR	12kΩ 1/16W J		R8083	NRSA63J-0R0X	MG RESISTOR	0Ω 1/16W J	
R875	NRSA63J-184X	MG RESISTOR	180kΩ 1/16W J		R8084	NRSA63J-0R0X	MG RESISTOR	0Ω 1/16W J	
R876	NRSA63J-333X	MG RESISTOR	33kΩ 1/16W J		R8091	NRSA63J-332X	MG RESISTOR	3.3kΩ 1/16W J	
R881	NRSA63J-392X	MG RESISTOR	3.9kΩ 1/16W J		R8701	NRSA63J-102X	MG RESISTOR	1kΩ 1/16W J	
R882	NRSA63J-682X	MG RESISTOR	6.8kΩ 1/16W J		R8801	NRS181J-222X	MG RESISTOR	2.2kΩ 1/8W J	
R883	NRSA63J-103X	MG RESISTOR	10kΩ 1/16W J		R8802	NRS181J-222X	MG RESISTOR	2.2kΩ 1/8W J	
R884	NRSA63J-223X	MG RESISTOR	22kΩ 1/16W J		R8803	NRS181J-472X	MG RESISTOR	4.7kΩ 1/8W J	J,U,UN,A
R885	NRSA63J-101X	MG RESISTOR	100Ω 1/16W J		RA701	NRZ0065-102X	NET RESISTOR	1kΩ 1/16W J	
R886	NRSA63J-683X	MG RESISTOR	68kΩ 1/16W J		RA702	NRZ0065-102X	NET RESISTOR	1kΩ 1/16W J	
R887	NRSA63J-392X	MG RESISTOR	3.9kΩ 1/16W J		RA703	NRZ0065-102X	NET RESISTOR	1kΩ 1/16W J	
R888	NRSA63J-682X	MG RESISTOR	6.8kΩ 1/16W J		RA704	NRZ0065-392X	NET RESISTOR	3.9kΩ	
R889	NRSA63J-223X	MG RESISTOR	22kΩ 1/16W J		RA705	NRZ0065-222X	NET RESISTOR	2.2kΩ	
R890	NRSA63J-683X	MG RESISTOR	68kΩ 1/16W J		RA706	NRZ0065-471X	NET RESISTOR	470Ω	
R891	NRSA63J-223X	MG RESISTOR	22kΩ 1/16W J		RA707	NRZ0065-222X	NET RESISTOR	2.2kΩ	
R892	NRSA63J-101X	MG RESISTOR	100Ω 1/16W J		RA708	NRZ0065-222X	NET RESISTOR	2.2kΩ	
R3811	NRSA63J-222X	MG RESISTOR	2.2kΩ 1/16W J		RA709	NRZ0065-102X	NET RESISTOR	1kΩ 1/16W J	
R3812	NRSA63J-102X	MG RESISTOR	1kΩ 1/16W J		RA710	NRZ0065-102X	NET RESISTOR	1kΩ 1/16W J	
R7001	NRSA63J-103X	MG RESISTOR	10kΩ 1/16W J						
R7002	NRSA63J-222X	MG RESISTOR	2.2kΩ 1/16W J		L1	NQL334J-4R7X	COIL	4.7uH J	
R7003	NRSA63J-103X	MG RESISTOR	10kΩ 1/16W J		L701	NQR0022-005X	FERRITE BEADS		
R7004	NRSA63J-333X	MG RESISTOR	33kΩ 1/16W J		L702	NQL79GM-100X	COIL	10uH M	
R7005	NRSA63J-103X	MG RESISTOR	10kΩ 1/16W J		L822	NQL63EM-470X	COIL	47uH M	
R7006	NRSA63J-223X	MG RESISTOR	22kΩ 1/16W J		L824	NQL79GM-220X	COIL	22uH M	
R7007	NRSA63J-223X	MG RESISTOR	22kΩ 1/16W J		L825	NQL79GM-220X	COIL	22uH M	
R7008	NRSA63J-473X	MG RESISTOR	47kΩ 1/16W J		L826	NQL79GM-220X	COIL	22uH M	
R7009	NRSA63J-223X	MG RESISTOR	22kΩ 1/16W J		L827	NQL79GM-220X	COIL	22uH M	

△ Symbol No.	Part No.	Part Name	Description	Local	△ Symbol No.	Part No.	Part Name	Description	Local
L828	NQL79GM-220X	COIL	22uH M		D9509	MA111-X	SI DIODE		
L851	QQR0703-001	CHOKE COIL			D9610	MA22D23-X	SB DIODE		
L873	NQL63EM-470X	COIL	47uH M		D9614	CL-201IR-X-X	LED		
L8041	NQLD7EM-470X	COIL	47uH M		D9728	MA22D23-X	SB DIODE		
L8061	NQL79GM-220X	COIL	22uH M						
L8062	NQL79GM-220X	COIL	22uH M		C9501	QEKJ1EM-106Z	E CAPACITOR	10uF 25V M	
L8063	NQL79GM-220X	COIL	22uH M		C9502	QEKJ1EM-106Z	E CAPACITOR	10uF 25V M	
L8601	NQL52EM-220X	COIL	22uH M		C9503	NCB31HK-103X	C CAPACITOR	0.01uF 50V K	
					C9504	QEKJ1EM-106Z	E CAPACITOR	10uF 25V M	
BZ851	QAN0023-001Z	BUZZER			C9505	NCB31HK-473X	C CAPACITOR	0.047uF 50V K	
CN701	QGB1004K2-26W	CONNECTOR	B-B (1-26)		C9506	NCB31CK-223X	C CAPACITOR	0.022uF 16V K	
CN702	QGF0534F3-44X	CONNECTOR	FFC/FPC (1-44)		C9507	QEKJ1HM-105Z	E CAPACITOR	1uF 50V M	
CN703	QJK062-040704-E	WIRE			C9508	QEKJ1HM-105Z	E CAPACITOR	1uF 50V M	
CN705	QGF0523F2-23W	CONNECTOR	FFC/FPC (1-23)		C9509	QEKJ1HM-105Z	E CAPACITOR	1uF 50V M	
CN764	QGA1002C1-06X	CONNECTOR	W-B (1-6)		C9510	QEKJ1HM-475Z	E CAPACITOR	4.7uF 50V M	
CN799	QGA1002C1-08X	CONNECTOR	W-B (1-8)		C9511	QEKJ1HM-475Z	E CAPACITOR	4.7uF 50V M	
CN801	QNZ0090-001	CAR CONNECTOR			C9512	NCB31HK-102X	C CAPACITOR	1000pF 50V K	
CN802	QNZ0095-001	CONNECTOR			C9531	QEKJ1EM-106Z	E CAPACITOR	10uF 25V M	
CN803	QGA2015F1-14	CONNECTOR	W-B (1-14)		C9532	QEKJ1EM-106Z	E CAPACITOR	10uF 25V M	
K31	NQR0022-005X	FERRITE BEADS		E,EU,EE	C9533	NCB31CK-104X	C CAPACITOR	0.1uF 16V K	
K301	NRSA63J-0R0X	MG RESISTOR	0Ω 1/16W J		C9535	NCB31CK-104X	C CAPACITOR	0.1uF 16V K	
K302	NRSA63J-0R0X	MG RESISTOR	0Ω 1/16W J		C9536	QEKJ1CM-476Z	E CAPACITOR	47uF 16V M	
K303	NRSA63J-0R0X	MG RESISTOR	0Ω 1/16W J		C9537	QEKJ1EM-106Z	E CAPACITOR	10uF 25V M	
K305	NQR0251-001X	FERRITE BEADS			C9538	QEKJ1EM-106Z	E CAPACITOR	10uF 25V M	
K306	NQR0251-001X	FERRITE BEADS			C9539	QEKJ1EM-106Z	E CAPACITOR	10uF 25V M	
K307	NQR0251-001X	FERRITE BEADS			C9540	NCB31CK-104X	C CAPACITOR	0.1uF 16V K	
K308	NQR0251-001X	FERRITE BEADS			C9542	NCB31CK-104X	C CAPACITOR	0.1uF 16V K	
K309	NQR0251-001X	FERRITE BEADS			C9543	QEKJ1CM-476Z	E CAPACITOR	47uF 16V M	
K310	NRSA63J-0R0X	MG RESISTOR	0Ω 1/16W J		C9544	QEKJ1CM-476Z	E CAPACITOR	47uF 16V M	
K361	NRSA63J-0R0X	MG RESISTOR	0Ω 1/16W J	J,E,EU,EE	C9545	QEKJ1CM-476Z	E CAPACITOR	47uF 16V M	
PP701	QZW0010-001	STYLE PIN			C9546	QEKJ1EM-106Z	E CAPACITOR	10uF 25V M	
TH721	NAD0028-103X	N THERMISTOR	10kΩ		C9547	QEKJ1EM-106Z	E CAPACITOR	10uF 25V M	
TU1	QAU0403-002	TUNER		J,U,UN,A	C9548	NCB31CK-104X	C CAPACITOR	0.1uF 16V K	
△ TU1	QAU0404-002	TUNER		E,EU,EE	C9549	QEKJ1CM-476Z	E CAPACITOR	47uF 16V M	
W1	QAM0556-001	CAR CABLE			C9550	QEKJ1EM-106Z	E CAPACITOR	10uF 25V M	
X31	QAX0263-001Z	CRYSTAL	4.332MHz	E,EU,EE	C9551	QEKJ1EM-106Z	E CAPACITOR	10uF 25V M	
X701	NAX0917-001X	CRYSTAL			C9552	NCB31HK-103X	C CAPACITOR	0.01uF 50V K	
X702	QAX0401-001	CRYSTAL	32.768KHz		C9553	NCB21CK-105X	C CAPACITOR	1uF 16V K	

Sub board

Block No. [0][2]

△ Symbol No.	Part No.	Part Name	Description	Local
IC951	MM1228XF-X	IC		
IC952	NJM2505F-X	IC		
IC953	MM1117XF-XE	IC		
IC954	MM1117XF-XE	IC		
IC955	MM1511XN-X	IC		
IC959	MM1117XF-XE	IC		
IC960	NJM2505F-X	IC		
△ IC991	BD9781HFP-W	IC		
IC992	TC7SET08FU-J-X	IC(DIGITAL)		
IC995	TC74HCT7007AFEX	IC		
△ IC996	BD3930FP-X	IC		
Q9501	2SD2114K/VW/-X	TRANSISTOR		
Q9502	2SD2114K/VW/-X	TRANSISTOR		
Q9503	2SA1530A/QR/-X	TRANSISTOR		
Q9504	2SC4485/ST/-T	TRANSISTOR		
Q9505	RT1P141C-X	DIGI TRANSISTOR		
Q9506	RT1N141C-X	DIGI TRANSISTOR		
Q9508	RT1N141C-X	DIGI TRANSISTOR		
D9001	CRS03-W	SB DIODE		
D9002	CRS03-W	SB DIODE		
D9501	MA8120M/-X	Z DIODE		
D9502	MA22D23-X	SB DIODE		
D9503	MA22D23-X	SB DIODE		
D9504	MC2836-X	DIODE		
D9505	MA22D23-X	SB DIODE		
D9506	MA22D23-X	SB DIODE		
D9507	MA111-X	SI DIODE		
D9508	MA22D23-X	SB DIODE		
R9501	NRSA63J-471X	MG RESISTOR	470Ω 1/16W J	
R9502	NRSA63J-472X	MG RESISTOR	4.7kΩ 1/16W J	
R9503	NRSA63J-220X	MG RESISTOR	22Ω 1/16W J	
R9504	NRSA63J-220X	MG RESISTOR	22Ω 1/16W J	
R9505	NRSA63J-0R0X	MG RESISTOR	0Ω 1/16W J	
R9506	NRSA63J-222X	MG RESISTOR	2.2kΩ 1/16W J	
R9507	NRSA63J-222X	MG RESISTOR	2.2kΩ 1/16W J	
R9508	NRSA63J-101X	MG RESISTOR	100Ω 1/16W J	
R9509	NRSA63J-101X	MG RESISTOR	100Ω 1/16W J	
R9510	NRSA63J-0R0X	MG RESISTOR	0Ω 1/16W J	
C9560	QEKJ0JM-337Z	E CAPACITOR	330uF 6.3V M	
C9561	QEKJ0JM-337Z	E CAPACITOR	330uF 6.3V M	
C9562	NCB31HK-102X	C CAPACITOR	1000pF 50V K	
C9563	QEKJ1CM-476Z	E CAPACITOR	47uF 16V M	
C9564	NCB31CK-104X	C CAPACITOR	0.1uF 16V K	
C9622	NCB31CK-104X	C CAPACITOR	0.1uF 16V K	
C9624	QEZ0850-157Z	E CAPACITOR	150uF	
C9904	NCB31HK-472X	C CAPACITOR	4700pF 50V K	
C9905	NCB31HK-104X	C CAPACITOR	0.1uF 50V K	
C9906	NCB31HK-103X	C CAPACITOR	0.01uF 50V K	
C9907	NCB31HK-103X	C CAPACITOR	0.01uF 50V K	
C9908	QEKJ1EM-106Z	E CAPACITOR	10uF 25V M	
C9909	NCF21HZ-105X	C CAPACITOR	1uF 50V Z	
C9913	NCB31HK-102X	C CAPACITOR	1000pF 50V K	
C9914	NDC31HJ-101X	C CAPACITOR	100pF 50V J	
C9915	NDC31HJ-101X	C CAPACITOR	100pF 50V J	
C9916	NDC31HJ-101X	C CAPACITOR	100pF 50V J	
C9917	NDC31HJ-101X	C CAPACITOR	100pF 50V J	
C9918	NDC31HJ-101X	C CAPACITOR	100pF 50V J	
C9919	NDC31HJ-101X	C CAPACITOR	100pF 50V J	
C9920	NDC31HJ-101X	C CAPACITOR	100pF 50V J	
C9924	QEKJ1AM-227Z	E CAPACITOR	220uF 10V M	
C9925	QEKJ1CM-107Z	E CAPACITOR	100uF 16V M	

△ Symbol No.	Part No.	Part Name	Description	Local
R9511	NRSA63J-103X	MG RESISTOR	10kΩ 1/16W J	
R9512	NRSA63J-471X	MG RESISTOR	470Ω 1/16W J	
R9513	NRSA63J-473X	MG RESISTOR	47kΩ 1/16W J	
R9514	NRSA63J-473X	MG RESISTOR	47kΩ 1/16W J	
R9515	NRSA63J-0R0X	MG RESISTOR	0Ω 1/16W J	
R9516	NRSA63J-0R0X	MG RESISTOR	0Ω 1/16W J	
R9517	NRSA63J-102X	MG RESISTOR	1kΩ 1/16W J	
R9518	NRSA63J-222X	MG RESISTOR	2.2kΩ 1/16W J	
R9519	NRSA63J-473X	MG RESISTOR	47kΩ 1/16W J	
R9520	NRSA63J-102X	MG RESISTOR	1kΩ 1/16W J	
R9521	NRSA63J-222X	MG RESISTOR	2.2kΩ 1/16W J	
R9522	NRSA63J-473X	MG RESISTOR	47kΩ 1/16W J	
R9523	NRSA63J-390X	MG RESISTOR	39Ω 1/16W J	
R9531	NRSA63J-0R0X	MG RESISTOR	0Ω 1/16W J	
R9532	NRSA63J-0R0X	MG RESISTOR	0Ω 1/16W J	
R9533	NRSA63J-0R0X	MG RESISTOR	0Ω 1/16W J	
R9534	NRSA63J-100X	MG RESISTOR	10Ω 1/16W J	
R9535	NRSA63J-0R0X	MG RESISTOR	0Ω 1/16W J	
R9536	NRSA63J-0R0X	MG RESISTOR	0Ω 1/16W J	
R9537	NRSA63J-0R0X	MG RESISTOR	0Ω 1/16W J	
R9538	NRSA63J-100X	MG RESISTOR	10Ω 1/16W J	
R9539	NRSA63J-100X	MG RESISTOR	10Ω 1/16W J	
R9540	NRSA63J-104X	MG RESISTOR	100kΩ 1/16W J	
R9541	NRSA63J-471X	MG RESISTOR	470Ω 1/16W J	
R9543	NRSA63J-471X	MG RESISTOR	470Ω 1/16W J	
R9544	NRSA63J-104X	MG RESISTOR	100kΩ 1/16W J	
R9545	NRSA63J-100X	MG RESISTOR	10Ω 1/16W J	
R9546	NRSA63J-104X	MG RESISTOR	100kΩ 1/16W J	
R9547	NRSA63J-471X	MG RESISTOR	470Ω 1/16W J	
R9549	NRSA63J-471X	MG RESISTOR	470Ω 1/16W J	
R9550	NRSA63J-104X	MG RESISTOR	100kΩ 1/16W J	
R9551	NRSA63J-221X	MG RESISTOR	220Ω 1/16W J	
R9552	NRSA63J-122X	MG RESISTOR	1.2kΩ 1/16W J	
R9553	NRSA63D-181X	MG RESISTOR	180Ω 1/16W D	
R9554	NRSA63J-332X	MG RESISTOR	3.3kΩ 1/16W J	
R9555	NRSA63J-0R0X	MG RESISTOR	0Ω 1/16W J	
R9557	NRSA63J-472X	MG RESISTOR	4.7kΩ 1/16W J	
R9558	NRSA63J-105X	MG RESISTOR	1MΩ 1/16W J	
R9559	NRSA63J-0R0X	MG RESISTOR	0Ω 1/16W J	
R9560	NRSA63J-0R0X	MG RESISTOR	0Ω 1/16W J	
R9562	NRSA63J-100X	MG RESISTOR	10Ω 1/16W J	
R9563	NRSA63J-103X	MG RESISTOR	10kΩ 1/16W J	
R9564	NRSA63J-105X	MG RESISTOR	1MΩ 1/16W J	
R9565	NRSA63J-0R0X	MG RESISTOR	0Ω 1/16W J	
R9566	NRSA63J-0R0X	MG RESISTOR	0Ω 1/16W J	
R9567	NRSA63J-750X	MG RESISTOR	75Ω 1/16W J	
R9568	NRSA63J-390X	MG RESISTOR	39Ω 1/16W J	
R9569	NRSA63J-100X	MG RESISTOR	10Ω 1/16W J	
R9690	NRSA63J-104X	MG RESISTOR	100kΩ 1/16W J	
R9702	NRSA63J-223X	MG RESISTOR	22kΩ 1/16W J	
R9704	NRSA63J-223X	MG RESISTOR	22kΩ 1/16W J	
R9705	NRSA63J-223X	MG RESISTOR	22kΩ 1/16W J	
R9707	NRSA63J-223X	MG RESISTOR	22kΩ 1/16W J	
R9709	NRSA63J-223X	MG RESISTOR	22kΩ 1/16W J	
R9716	NRSA63J-332X	MG RESISTOR	3.3kΩ 1/16W J	
R9717	NRSA63J-332X	MG RESISTOR	3.3kΩ 1/16W J	
R9718	NRSA63J-332X	MG RESISTOR	3.3kΩ 1/16W J	
R9721	NRSA63J-223X	MG RESISTOR	22kΩ 1/16W J	
R9922	NRSA63F-393X	MG RESISTOR	39kΩ 1/16W F	
R9923	NRSA63J-302X	MG RESISTOR	3kΩ 1/16W J	
R9924	NRSA63J-823X	MG RESISTOR	82kΩ 1/16W J	
R9925	NRSA63J-563X	MG RESISTOR	56kΩ 1/16W J	
R9927	NRSA63F-103X	MG RESISTOR	10kΩ 1/16W F	
R9928	NRSA63J-391X	MG RESISTOR	390Ω 1/16W J	
R9930	NRSA63J-0R0X	MG RESISTOR	0Ω 1/16W J	
R9931	NRSA63J-0R0X	MG RESISTOR	0Ω 1/16W J	
R9934	NRSA63J-0R0X	MG RESISTOR	0Ω 1/16W J	
R9936	NRSA63J-0R0X	MG RESISTOR	0Ω 1/16W J	
R9938	NRSA63J-0R0X	MG RESISTOR	0Ω 1/16W J	
R9944	NRSA63J-0R0X	MG RESISTOR	0Ω 1/16W J	
R9948	NRS144J-560X	MG RESISTOR	56Ω 1/4W J	
R9949	NRS144J-560X	MG RESISTOR	56Ω 1/4W J	
RA901	NRZ0065-151X	NET RESISTOR	150Ω	
RA901 or	NRZ0038-151X	NET RESISTOR	150Ω 1/16W J x4	
RA903	NRZ0065-102X	NET RESISTOR	1kΩ 1/16W J	
RA904	NRZ0065-151X	NET RESISTOR	150Ω	
RA904 or	NRZ0038-151X	NET RESISTOR	150Ω 1/16W J x4	
RA905	NRZ0065-301X	MG.RES C.M	300Ω	

△ Symbol No.	Part No.	Part Name	Description	Local
RA906	NRZ0065-301X	MG.RES C.M	300Ω	
L9503	NQL79GM-470X	COIL	47uH M	
L9504	NQL79GM-470X	COIL	47uH M	
L9505	NQL79GM-470X	COIL	47uH M	
L9506	NQL79GM-470X	COIL	47uH M	
L9507	NQL79GM-470X	COIL	47uH M	
L9508	NQL79GM-470X	COIL	47uH M	
L9509	NQL79GM-470X	COIL	47uH M	
L9610	NQR0536-001X	CHOKE COIL		
L9901	NQLD7EM-470X	COIL	47uH M	
CN902	QGA2501F1-04	CONNECTOR	W-B (1-4)	
CN903	QGB1004K2-20W	CONNECTOR	B-B (1-20)	
CN904	QGF0534F3-23X	CONNECTOR	FFC/FPC (1-23)	
CN905	QGA2015F1-16	CONNECTOR	W-B (1-16)	
CN906	QGA2001F1-02	CONNECTOR	W-B (1-2)	
CN907	QGF0534F3-07X	CONNECTOR	FFC/FPC (1-7)	
CN911	QGA2001F1-05	CONNECTOR	W-B (1-5)	
K9501	NRSA63J-0R0X	MG RESISTOR	0Ω 1/16W J	
K9502	NRSA63J-0R0X	MG RESISTOR	0Ω 1/16W J	
K9504	NRSA63J-0R0X	MG RESISTOR	0Ω 1/16W J	
K9506	NRSA63J-0R0X	MG RESISTOR	0Ω 1/16W J	
K9507	NRSA63J-0R0X	MG RESISTOR	0Ω 1/16W J	
K9508	NRSA63J-0R0X	MG RESISTOR	0Ω 1/16W J	
PP903	QZW0010-001	STYLE PIN		

Connection board

Block No. [0][3]

△ Symbol No.	Part No.	Part Name	Description	Local
IC301	AK4385ET-X	IC		
IC302	NJM4565V-X	IC		
IC311	AK4385ET-X	IC		
IC312	NJM4565V-X	IC		
IC321	AK4385ET-X	IC		
IC322	NJM4565V-X	IC		
IC376	NJM78M05DL1A-X	IC		
IC386	CPI-210-X	PHOTO COUPLER		
Q3401	2SC3928A/QR/-X	TRANSISTOR		
Q3402	CPT-230S-C-X	PHOTO TRANSISTOR		
Q3701	RT1N141C-X	DIGI TRANSISTOR		
Q3702	2SC3928A/QR/-X	TRANSISTOR		
Q3703	2SC3928A/QR/-X	TRANSISTOR		
Q3704	RSQ035P03-W	MOS FET		
Q3801	2SC3928A/QR/-X	TRANSISTOR		
D3401	MA111-X	SI DIODE		
D3402	RB051L-40-X	SB DIODE		
D3501	MA111-X	SI DIODE		
D3701	RB521S-30-X	SB DIODE		
D3702	RB521S-30-X	SB DIODE		
D3703	MA8082/M/-X	Z DIODE		
D3704	LSQ971/KL/-X	LED		
D3705	LSQ971/KL/-X	LED		
D3706	RB521S-30-X	SB DIODE		
C1001	NCB31HK-392X	C CAPACITOR	3900pF 50V K	
C1002	NDC31HJ-471X	C CAPACITOR	470pF 50V J	
C1003	NCB31HK-471X	C CAPACITOR	470pF 50V K	
C1101	NCB31HK-392X	C CAPACITOR	3900pF 50V K	
C1102	NCB31HK-471X	C CAPACITOR	470pF 50V K	
C1103	NCB31HK-471X	C CAPACITOR	470pF 50V K	
C1201	NCB31HK-392X	C CAPACITOR	3900pF 50V K	
C1202	NCB31HK-471X	C CAPACITOR	470pF 50V K	
C1203	NCB31HK-471X	C CAPACITOR	470pF 50V K	
C2001	NCB31HK-392X	C CAPACITOR	3900pF 50V K	
C2002	NDC31HJ-471X	C CAPACITOR	470pF 50V J	
C2003	NCB31HK-471X	C CAPACITOR	470pF 50V K	
C2101	NCB31HK-392X	C CAPACITOR	3900pF 50V K	
C2102	NCB31HK-471X	C CAPACITOR	470pF 50V K	

△ Symbol No.	Part No.	Part Name	Description	Local	△ Symbol No.	Part No.	Part Name	Description	Local
C2103	NCB31HK-471X	C CAPACITOR	470pF 50V K		R1202	NRSA63J-472X	MG RESISTOR	4.7kΩ 1/16W J	
C2201	NCB31HK-392X	C CAPACITOR	3900pF 50V K		R1203	NRSA63J-223X	MG RESISTOR	22kΩ 1/16W J	
C2202	NCB31HK-471X	C CAPACITOR	470pF 50V K		R1204	NRSA63J-472X	MG RESISTOR	4.7kΩ 1/16W J	
C2203	NCB31HK-471X	C CAPACITOR	470pF 50V K		R1205	NRSA63J-101X	MG RESISTOR	100Ω 1/16W J	
C3002	NBE41AM-476X	TA E CAPACITOR	47uF 10V M		R1206	NRSA63J-101X	MG RESISTOR	100Ω 1/16W J	
C3003	NCB31CK-104X	C CAPACITOR	0.1uF 16V K		R1207	NRSA63J-472X	MG RESISTOR	4.7kΩ 1/16W J	
C3006	NCB31CK-104X	C CAPACITOR	0.1uF 16V K		R1208	NRSA63J-223X	MG RESISTOR	22kΩ 1/16W J	
C3007	NBE41AM-476X	TA E CAPACITOR	47uF 10V M		R1209	NRSA63J-0R0X	MG RESISTOR	0Ω 1/16W J	
C3008	NCB31CK-104X	C CAPACITOR	0.1uF 16V K		R1601	NRSA63J-0R0X	MG RESISTOR	0Ω 1/16W J	
C3009	NBE41AM-476X	TA E CAPACITOR	47uF 10V M		R2001	NRSA63J-472X	MG RESISTOR	4.7kΩ 1/16W J	
C3010	NBE41CM-226X	TA E CAPACITOR	22uF 16V M		R2002	NRSA63J-472X	MG RESISTOR	4.7kΩ 1/16W J	
C3011	NCB31CK-104X	C CAPACITOR	0.1uF 16V K		R2003	NRSA63J-223X	MG RESISTOR	22kΩ 1/16W J	
C3101	NCB31HK-331X	C CAPACITOR	330pF 50V K		R2004	NRSA63J-472X	MG RESISTOR	4.7kΩ 1/16W J	
C3102	NBE41AM-476X	TA E CAPACITOR	47uF 10V M		R2005	NRSA63J-101X	MG RESISTOR	100Ω 1/16W J	
C3103	NCB31CK-104X	C CAPACITOR	0.1uF 16V K		R2006	NRSA63J-101X	MG RESISTOR	100Ω 1/16W J	
C3106	NCB31CK-104X	C CAPACITOR	0.1uF 16V K		R2007	NRSA63J-472X	MG RESISTOR	4.7kΩ 1/16W J	
C3107	NBE41AM-476X	TA E CAPACITOR	47uF 10V M		R2008	NRSA63J-223X	MG RESISTOR	22kΩ 1/16W J	
C3108	NCB31CK-104X	C CAPACITOR	0.1uF 16V K		R2009	NRSA63J-0R0X	MG RESISTOR	0Ω 1/16W J	
C3109	NBE41AM-476X	TA E CAPACITOR	47uF 10V M		R2101	NRSA63J-472X	MG RESISTOR	4.7kΩ 1/16W J	
C3110	NBE41CM-226X	TA E CAPACITOR	22uF 16V M		R2102	NRSA63J-472X	MG RESISTOR	4.7kΩ 1/16W J	
C3111	NCB31CK-104X	C CAPACITOR	0.1uF 16V K		R2103	NRSA63J-223X	MG RESISTOR	22kΩ 1/16W J	
C3202	NBE41AM-476X	TA E CAPACITOR	47uF 10V M		R2104	NRSA63J-472X	MG RESISTOR	4.7kΩ 1/16W J	
C3203	NCB31CK-104X	C CAPACITOR	0.1uF 16V K		R2105	NRSA63J-101X	MG RESISTOR	100Ω 1/16W J	
C3206	NCB31CK-104X	C CAPACITOR	0.1uF 16V K		R2106	NRSA63J-101X	MG RESISTOR	100Ω 1/16W J	
C3207	NBE41AM-476X	TA E CAPACITOR	47uF 10V M		R2107	NRSA63J-472X	MG RESISTOR	4.7kΩ 1/16W J	
C3208	NCB31CK-104X	C CAPACITOR	0.1uF 16V K		R2108	NRSA63J-223X	MG RESISTOR	22kΩ 1/16W J	
C3209	NBE41AM-476X	TA E CAPACITOR	47uF 10V M		R2109	NRSA63J-0R0X	MG RESISTOR	0Ω 1/16W J	
C3210	NBE41CM-226X	TA E CAPACITOR	22uF 16V M		R2201	NRSA63J-472X	MG RESISTOR	4.7kΩ 1/16W J	
C3211	NCB31CK-104X	C CAPACITOR	0.1uF 16V K		R2202	NRSA63J-472X	MG RESISTOR	4.7kΩ 1/16W J	
C3401	NCB31HK-103X	C CAPACITOR	0.01uF 50V K		R2203	NRSA63J-223X	MG RESISTOR	22kΩ 1/16W J	
C3505	NCB31HK-102X	C CAPACITOR	1000pF 50V K		R2204	NRSA63J-472X	MG RESISTOR	4.7kΩ 1/16W J	
C3506	NCB31HK-102X	C CAPACITOR	1000pF 50V K		R2205	NRSA63J-101X	MG RESISTOR	100Ω 1/16W J	
C3507	NBE41AM-476X	TA E CAPACITOR	47uF 10V M		R2206	NRSA63J-101X	MG RESISTOR	100Ω 1/16W J	
C3508	NCB31CK-104X	C CAPACITOR	0.1uF 16V K		R2207	NRSA63J-472X	MG RESISTOR	4.7kΩ 1/16W J	
C3601	NCB31HK-103X	C CAPACITOR	0.01uF 50V K		R2208	NRSA63J-223X	MG RESISTOR	22kΩ 1/16W J	
C3602	NCB31HK-103X	C CAPACITOR	0.01uF 50V K		R2209	NRSA63J-0R0X	MG RESISTOR	0Ω 1/16W J	
C3603	NCB31HK-103X	C CAPACITOR	0.01uF 50V K		R2601	NRSA63J-0R0X	MG RESISTOR	0Ω 1/16W J	
C3604	NCB31HK-102X	C CAPACITOR	1000pF 50V K		R3005	NRSA63J-100X	MG RESISTOR	10Ω 1/16W J	
C3605	NBE41AM-476X	TA E CAPACITOR	47uF 10V M		R3006	NRSA63J-102X	MG RESISTOR	1kΩ 1/16W J	
C3606	NBE41CM-226X	TA E CAPACITOR	22uF 16V M		R3007	NRSA63J-102X	MG RESISTOR	1kΩ 1/16W J	
C3607	NBE41CM-226X	TA E CAPACITOR	22uF 16V M		R3008	NRSA63J-102X	MG RESISTOR	1kΩ 1/16W J	
C3608	NBE41AM-476X	TA E CAPACITOR	47uF 10V M		R3009	NRSA63J-102X	MG RESISTOR	1kΩ 1/16W J	
C3610	NCB31HK-103X	C CAPACITOR	0.01uF 50V K		R3101	NRSA63J-473X	MG RESISTOR	47kΩ 1/16W J	
C3611	NCB31HK-103X	C CAPACITOR	0.01uF 50V K		R3105	NRSA63J-100X	MG RESISTOR	10Ω 1/16W J	
C3612	NCB31HK-103X	C CAPACITOR	0.01uF 50V K		R3106	NRSA63J-102X	MG RESISTOR	1kΩ 1/16W J	
C3701	NEAF1CM-226X	E CAPACITOR	22uF 16V M		R3107	NRSA63J-102X	MG RESISTOR	1kΩ 1/16W J	
C3702	NCB31CK-105X	C CAPACITOR	1uF 16V K		R3108	NRSA63J-102X	MG RESISTOR	1kΩ 1/16W J	
C3703	NCJ11EK-106X-R	C CAPACITOR	10uF 25V		R3109	NRSA63J-102X	MG RESISTOR	1kΩ 1/16W J	
C3703	or NCJ11EK-106X-A	C CAPACITOR	10uF 25V K		R3205	NRSA63J-100X	MG RESISTOR	10Ω 1/16W J	
C3704	NCJ11EK-106X-R	C CAPACITOR	10uF 25V		R3206	NRSA63J-102X	MG RESISTOR	1kΩ 1/16W J	
C3704	or NCJ11EK-106X-A	C CAPACITOR	10uF 25V K		R3207	NRSA63J-102X	MG RESISTOR	1kΩ 1/16W J	
C3705	NCB31HK-103X	C CAPACITOR	0.01uF 50V K		R3208	NRSA63J-102X	MG RESISTOR	1kΩ 1/16W J	
C3706	NCJ11EK-106X-R	C CAPACITOR	10uF 25V		R3209	NRSA63J-102X	MG RESISTOR	1kΩ 1/16W J	
C3706	or NCJ11EK-106X-A	C CAPACITOR	10uF 25V K		R3401	NRSA63J-101X	MG RESISTOR	100Ω 1/16W J	
C3707	NEAF1CM-226X	E CAPACITOR	22uF 16V M		R3402	NRSA63J-103X	MG RESISTOR	10kΩ 1/16W J	
C3708	NCB31HK-103X	C CAPACITOR	0.01uF 50V K		R3403	NRSA63J-683X	MG RESISTOR	68kΩ 1/16W J	
C3709	NEAF1CM-226X	E CAPACITOR	22uF 16V M		R3404	NRSA63J-333X	MG RESISTOR	33kΩ 1/16W J	
C3710	NCB31CK-105X	C CAPACITOR	1uF 16V K		R3405	NRSA63J-333X	MG RESISTOR	33kΩ 1/16W J	
R1001	NRSA63J-472X	MG RESISTOR	4.7kΩ 1/16W J		R3501	NRSA63J-473X	MG RESISTOR	47kΩ 1/16W J	
R1002	NRSA63J-472X	MG RESISTOR	4.7kΩ 1/16W J		R3502	NRSA63J-473X	MG RESISTOR	47kΩ 1/16W J	
R1003	NRSA63J-223X	MG RESISTOR	22kΩ 1/16W J		R3503	NRSA63J-473X	MG RESISTOR	47kΩ 1/16W J	
R1004	NRSA63J-472X	MG RESISTOR	4.7kΩ 1/16W J		R3504	NRSA63J-473X	MG RESISTOR	47kΩ 1/16W J	
R1005	NRSA63J-101X	MG RESISTOR	100Ω 1/16W J		R3506	NRSA63J-181X	MG RESISTOR	180Ω 1/16W J	
R1006	NRSA63J-101X	MG RESISTOR	100Ω 1/16W J		R3507	NRSA63J-181X	MG RESISTOR	180Ω 1/16W J	
R1007	NRSA63J-472X	MG RESISTOR	4.7kΩ 1/16W J		R3508	NRSA63J-101X	MG RESISTOR	100Ω 1/16W J	
R1008	NRSA63J-223X	MG RESISTOR	22kΩ 1/16W J		R3509	NRSA63J-181X	MG RESISTOR	180Ω 1/16W J	
R1009	NRSA63J-0R0X	MG RESISTOR	0Ω 1/16W J		R3510	NRSA63J-181X	MG RESISTOR	180Ω 1/16W J	
R1101	NRSA63J-472X	MG RESISTOR	4.7kΩ 1/16W J		R3511	NRSA63J-181X	MG RESISTOR	180Ω 1/16W J	
R1102	NRSA63J-472X	MG RESISTOR	4.7kΩ 1/16W J		R3514	NRSA63J-103X	MG RESISTOR	10kΩ 1/16W J	
R1103	NRSA63J-223X	MG RESISTOR	22kΩ 1/16W J		R3515	NRSA63J-332X	MG RESISTOR	3.3kΩ 1/16W J	
R1104	NRSA63J-472X	MG RESISTOR	4.7kΩ 1/16W J		R3516	NRSA63J-562X	MG RESISTOR	5.6kΩ 1/16W J	
R1105	NRSA63J-101X	MG RESISTOR	100Ω 1/16W J		R3519	NRSA63J-0R0X	MG RESISTOR	0Ω 1/16W J	
R1106	NRSA63J-101X	MG RESISTOR	100Ω 1/16W J		R3520	NRSA63J-0R0X	MG RESISTOR	0Ω 1/16W J	
R1107	NRSA63J-472X	MG RESISTOR	4.7kΩ 1/16W J		R3602	NRSA63J-100X	MG RESISTOR	10Ω 1/16W J	
R1108	NRSA63J-223X	MG RESISTOR	22kΩ 1/16W J		R3604	NRSA63J-0R0X	MG RESISTOR	0Ω 1/16W J	
R1109	NRSA63J-0R0X	MG RESISTOR	0Ω 1/16W J		R3630	NRSA63J-221X	MG RESISTOR	220Ω 1/16W J	
R1201	NRSA63J-472X	MG RESISTOR	4.7kΩ 1/16W J		R3631	NRSA63J-331X	MG RESISTOR	330Ω 1/16W J	
					R3701	NRSA63J-103X	MG RESISTOR	10kΩ 1/16W J	

△ Symbol No.	Part No.	Part Name	Description	Local
R3702	NRSA63J-100X	MG RESISTOR	10Ω 1/16W J	
R3703	NRSA63J-471X	MG RESISTOR	470Ω 1/16W J	
R3704	NRSA63J-103X	MG RESISTOR	10kΩ 1/16W J	
R3705	NRSA63J-272X	MG RESISTOR	2.7kΩ 1/16W J	
R3706	NRSA63J-272X	MG RESISTOR	2.7kΩ 1/16W J	
R3707	NRSA63J-272X	MG RESISTOR	2.7kΩ 1/16W J	
R3802	NRSA63J-471X	MG RESISTOR	470Ω 1/16W J	
R3803	NRSA63J-104X	MG RESISTOR	100kΩ 1/16W J	
R3804	NRSA63J-102X	MG RESISTOR	1kΩ 1/16W J	
R3805	NRSA63J-222X	MG RESISTOR	2.2kΩ 1/16W J	
R3806	NRSA63J-682X	MG RESISTOR	6.8kΩ 1/16W J	
R3808	NRSA63J-333X	MG RESISTOR	33kΩ 1/16W J	
R3809	NRSA63J-333X	MG RESISTOR	33kΩ 1/16W J	
R3810	NRSA63J-151X	MG RESISTOR	150Ω 1/16W J	
L3501	NQL79GM-220X	COIL	22uH M	
L3701	NQL52EM-220X	COIL	22uH M	
CN301	QGF0534F3-60X	CONNECTOR	FFC/FPC (1-60)	
CN302	QGF0523F2-07W	CONNECTOR	FFC/FPC (1-7)	
CN303	QGF0523F2-14W	CONNECTOR	FFC/FPC (1-14)	
CN304	NNZ0104-001X	SD CARD CONNE		
CN305	QGF0523F2-44W	CONNECTOR	FFC/FPC (1-44)	
CN375	QGB1004J2-20X	CONNECTOR	B-B (1-20)	
CN376	QGB1004J2-26X	CONNECTOR	B-B (1-26)	
CN377	QGF0562F1-45W	CONNECTOR	FFC/FPC (1-45)	
CN378	QGF0522F3-06W	CONNECTOR	FFC/FPC (1-6)	
CN379	QGF0523F2-07W	CONNECTOR	FFC/FPC (1-7)	
CN381	QGA1002C1-06X	CONNECTOR	W-B (1-6)	
CN382	QGA1002C1-02X	CONNECTOR	W-B (1-2)	
△ F3701	NMFZ018-2R5X-E	FUSE	2.5A	
K3002	NQR0022-005X	FERRITE BEADS		
K3102	NQR0022-005X	FERRITE BEADS		
K3202	NQR0022-005X	FERRITE BEADS		
K3501	NQR0022-002X	FERRITE BEADS		
K3502	NQR0022-002X	FERRITE BEADS		
K3503	NQR0022-002X	FERRITE BEADS		
K3504	NQR0022-002X	FERRITE BEADS		
K3507	NQR0022-002X	FERRITE BEADS		
K3508	NRSA63J-0R0X	MG RESISTOR	0Ω 1/16W J	
K3509	NQR0022-002X	FERRITE BEADS		
K3510	NQR0022-002X	FERRITE BEADS		
K3511	NQR0022-002X	FERRITE BEADS		
K3601	NRSA63J-0R0X	MG RESISTOR	0Ω 1/16W J	
K3602	NRSA63J-0R0X	MG RESISTOR	0Ω 1/16W J	
K3604	NRSA63J-0R0X	MG RESISTOR	0Ω 1/16W J	
K3605	NRSA63J-0R0X	MG RESISTOR	0Ω 1/16W J	
K3606	NRSA63J-0R0X	MG RESISTOR	0Ω 1/16W J	
K3607	NRSA63J-0R0X	MG RESISTOR	0Ω 1/16W J	
K3608	NRSA63J-0R0X	MG RESISTOR	0Ω 1/16W J	
K3609	NRSA63J-0R0X	MG RESISTOR	0Ω 1/16W J	
K3610	NRSA63J-0R0X	MG RESISTOR	0Ω 1/16W J	
K3620	NRSA63J-0R0X	MG RESISTOR	0Ω 1/16W J	
K3621	NRSA63J-0R0X	MG RESISTOR	0Ω 1/16W J	
K3622	NRSA63J-0R0X	MG RESISTOR	0Ω 1/16W J	
K3623	NRSA63J-0R0X	MG RESISTOR	0Ω 1/16W J	
K3624	NRSA63J-0R0X	MG RESISTOR	0Ω 1/16W J	
K3625	NRSA63J-0R0X	MG RESISTOR	0Ω 1/16W J	
K3626	NRSA63J-0R0X	MG RESISTOR	0Ω 1/16W J	
K3627	NRSA63J-0R0X	MG RESISTOR	0Ω 1/16W J	
K3628	NRSA63J-0R0X	MG RESISTOR	0Ω 1/16W J	
K3629	NRSA63J-0R0X	MG RESISTOR	0Ω 1/16W J	
K3632	NRSA63J-0R0X	MG RESISTOR	0Ω 1/16W J	
K3633	NRSA63J-0R0X	MG RESISTOR	0Ω 1/16W J	
K3634	NRSA63J-0R0X	MG RESISTOR	0Ω 1/16W J	
K3636	NRSA63J-0R0X	MG RESISTOR	0Ω 1/16W J	
K3637	NRSA63J-0R0X	MG RESISTOR	0Ω 1/16W J	
K3638	NRSA63J-0R0X	MG RESISTOR	0Ω 1/16W J	
K3639	NRSA63J-0R0X	MG RESISTOR	0Ω 1/16W J	
K3640	NRSA63J-0R0X	MG RESISTOR	0Ω 1/16W J	
K3701	NRSA63J-0R0X	MG RESISTOR	0Ω 1/16W J	
K3702	NRSA63J-0R0X	MG RESISTOR	0Ω 1/16W J	
K3703	NRSA63J-0R0X	MG RESISTOR	0Ω 1/16W J	
K3704	NRSA63J-0R0X	MG RESISTOR	0Ω 1/16W J	
K3705	NRSA63J-0R0X	MG RESISTOR	0Ω 1/16W J	
K3706	NRSA63J-0R0X	MG RESISTOR	0Ω 1/16W J	
K3707	NRSA63J-0R0X	MG RESISTOR	0Ω 1/16W J	
K3708	NRSA63J-0R0X	MG RESISTOR	0Ω 1/16W J	

△ Symbol No.	Part No.	Part Name	Description	Local
K3709	NRSA63J-0R0X	MG RESISTOR	0Ω 1/16W J	
K3710	NRSA63J-0R0X	MG RESISTOR	0Ω 1/16W J	
K3711	NRSA63J-0R0X	MG RESISTOR	0Ω 1/16W J	
K3712	NRSA63J-0R0X	MG RESISTOR	0Ω 1/16W J	
K3713	NRSA63J-0R0X	MG RESISTOR	0Ω 1/16W J	
K3714	NRSA63J-0R0X	MG RESISTOR	0Ω 1/16W J	
K3715	NRSA63J-0R0X	MG RESISTOR	0Ω 1/16W J	
K3716	NRSA63J-0R0X	MG RESISTOR	0Ω 1/16W J	
K3717	NRSA63J-0R0X	MG RESISTOR	0Ω 1/16W J	
K3718	NRSA63J-0R0X	MG RESISTOR	0Ω 1/16W J	
K3719	NRSA63J-0R0X	MG RESISTOR	0Ω 1/16W J	
K3720	NRSA63J-0R0X	MG RESISTOR	0Ω 1/16W J	
K3721	NRSA63J-0R0X	MG RESISTOR	0Ω 1/16W J	
K3722	NRSA63J-0R0X	MG RESISTOR	0Ω 1/16W J	
S3801	NSW0225-001X	DETECT SWITCH		
S3802	NSW0126-001X	DETECT SWITCH		

Panel board

Block No. [0][4]

△ Symbol No.	Part No.	Part Name	Description	Local
△ IC401	TB1323FG	IC		
IC403	TC7SH32FU-X	IC		
△ IC411	TC203G04AFG0011	IC(DIGITAL)		
IC412	TC74VHC74FT-X	IC		
IC413	TC7WT241FU-X	IC		
IC421	NJM4565V-X	IC		
IC472	TC7SET08FU-J-X	IC(DIGITAL)		
IC473	OZ9641SN-X	IC		
IC474	TPCP8402JVC-X	POWER MOS FET		
IC475	TPCP8402JVC-X	POWER MOS FET		
IC481	MB90099PFV145EX	IC		
IC482	TC74VHC123AFT-X	IC		
IC483	TC74VHC74FT-X	IC		
IC484	TC7SH32FU-X	IC		
IC485	TC7SH08FU-X	IC		
IC491	RS-771-X	RM.RECEIVER		
△ IC501	MN103SB9NEY	IC		
IC502	S-80824CNNB-G-W	IC		
IC503	SG64A90TFIR32D	IC(PROGRAMED)		J
△ IC601	MB87P2040PMT	IC(DIGITAL)		
IC602	TC7SH08FU-X	IC		
IC603	NJM2871BF25-X	IC		
Q404	2SC3928A/QR/-X	TRANSISTOR		
Q407	2SA1530A/QR/-X	TRANSISTOR		
Q421	2SA1530A/QR/-X	TRANSISTOR		
Q422	2SC3928A/QR/-X	TRANSISTOR		
Q423	2SA1530A/QR/-X	TRANSISTOR		
Q424	2SC3928A/QR/-X	TRANSISTOR		
Q425	2SA1530A/QR/-X	TRANSISTOR		
Q501	2SC3928A/QR/-X	TRANSISTOR		
Q502	2SA1530A/QR/-X	TRANSISTOR		
Q503	2SD2704K-X	TRANSISTOR		
Q504	2SD2704K-X	TRANSISTOR		
Q505	RT1N141C-X	DIGI TRANSISTOR		
Q506	RT1N141C-X	DIGI TRANSISTOR		
Q507	2SA2119K-X	TRANSISTOR		
Q508	2SA2119K-X	TRANSISTOR		
Q509	2SA1530A/QR/-X	TRANSISTOR		
Q521	RT1P141C-X	DIGI TRANSISTOR		
Q522	2SA1530A/QR/-X	TRANSISTOR		
Q523	RT1N141C-X	DIGI TRANSISTOR		
Q601	2SA1530A/QR/-X	TRANSISTOR		
Q602	2SC3928A/QR/-X	TRANSISTOR		
Q603	2SA1530A/QR/-X	TRANSISTOR		
D401	RB521S-30-X	SB DIODE		
D402	MA111-X	SI DIODE		
D403	MA111-X	SI DIODE		
D404	MA111-X	SI DIODE		
D502	MC2836-X	DIODE		
D503	MA111-X	SI DIODE		

△ Symbol No.	Part No.	Part Name	Description	Local	△ Symbol No.	Part No.	Part Name	Description	Local
D504	MA111-X	SI DIODE			C501	NBE20JM-476X	TA E CAPACITOR	47uF 6.3V M	
D505	MA111-X	SI DIODE			C502	NCBA1AK-104W	C CAPACITOR	0.1uF 10V K	
D506	MA111-X	SI DIODE			C503	NCBA1AK-104W	C CAPACITOR	0.1uF 10V K	
D507	MA111-X	SI DIODE			C504	NCB31CK-473X	C CAPACITOR	0.047uF 16V K	
D508	MA111-X	SI DIODE			C505	NCB31CK-473X	C CAPACITOR	0.047uF 16V K	
D509	MA111-X	SI DIODE			C506	NCBA1AK-104W	C CAPACITOR	0.1uF 10V K	
D510	MA111-X	SI DIODE			C507	NCBA1AK-104W	C CAPACITOR	0.1uF 10V K	
D521	MC2838-X	DIODE			C508	NCBA1CK-103W	C CAPACITOR	0.01uF 16V K	
D4301	RB521S-30-X	SB DIODE			C509	NCBA1AK-104W	C CAPACITOR	0.1uF 10V K	
D4302	RB521S-30-X	SB DIODE			C510	NCB30JK-105X	C CAPACITOR	1uF 6.3V K	
D4703	MA111-X	SI DIODE			C511	NCBA1AK-104W	C CAPACITOR	0.1uF 10V K	
D4704	MA8047/M/-X	Z DIODE			C512	NCBA1AK-104W	C CAPACITOR	0.1uF 10V K	
D4705	MA8047/M/-X	Z DIODE			C513	NCBA1AK-104W	C CAPACITOR	0.1uF 10V K	
D4706	MA8047/M/-X	Z DIODE			C514	NCBA1AK-104W	C CAPACITOR	0.1uF 10V K	
D4707	BAV99L-X	SI DIODE			C515	NCBA1AK-473W	C CAPACITOR	0.047uF 10V K	
D4708	MA8047/M/-X	Z DIODE			C516	NCB20JK-475X	C CAPACITOR	4.7uF 6.3V K	
D4709	BAV99L-X	SI DIODE			C517	NCBA1AK-473W	C CAPACITOR	0.047uF 10V K	
D4901	LSQ971/KL/-X	LED			C518	NDC31HJ-471X	C CAPACITOR	470pF 50V J	
D4902	SML310BA1T/HJ-X	LED			C519	NCBA1AK-473W	C CAPACITOR	0.047uF 10V K	
D4903	SML310BA1T/HJ-X	LED			C520	NCB20JK-106X	C CAPACITOR	10uF 6.3V K	
D4904	SML310BA1T/HJ-X	LED			C522	NCBA1AK-104W	C CAPACITOR	0.1uF 10V K	
D4905	SML310BA1T/HJ-X	LED			C601	NCB20JK-106X	C CAPACITOR	10uF 6.3V K	
D4906	SML310BA1T/HJ-X	LED			C602	NCB31CK-105X	C CAPACITOR	1uF 16V K	
D4907	SML310BA1T/HJ-X	LED			C603	NCB31CK-105X	C CAPACITOR	1uF 16V K	
D4908	SML310BA1T/HJ-X	LED			C604	NCB31CK-105X	C CAPACITOR	1uF 16V K	
D4909	SML310BA1T/HJ-X	LED			C605	NCB20JK-106X	C CAPACITOR	10uF 6.3V K	
D4910	SML310BA1T/HJ-X	LED			C606	NDCA1HJ-180W	C CAPACITOR	18pF 50V J	
C401	NCB20JK-106X	C CAPACITOR	10uF 6.3V K		C607	NDCA1HJ-180W	C CAPACITOR	18pF 50V J	
C402	NCB20JK-106X	C CAPACITOR	10uF 6.3V K		C608	NDCA1HJ-101W	C CAPACITOR	100pF 50V J	
C403	NCBA1AK-104W	C CAPACITOR	0.1uF 10V K		C609	NCBA1CK-103W	C CAPACITOR	0.01uF 16V K	
C404	NCB30JK-105X	C CAPACITOR	1uF 6.3V K		C610	NCBA1AK-104W	C CAPACITOR	0.1uF 10V K	
C405	NCBA1AK-104W	C CAPACITOR	0.1uF 10V K		C611	NDCA1HJ-101W	C CAPACITOR	100pF 50V J	
C406	NCB20JK-475X	C CAPACITOR	4.7uF 6.3V K		C612	NCB30JK-105X	C CAPACITOR	1uF 6.3V K	
C407	NCB31CK-224X	C CAPACITOR	0.22uF 16V K		C613	NDCA1HJ-101W	C CAPACITOR	100pF 50V J	
C408	NCBA1CK-103W	C CAPACITOR	0.01uF 16V K		C614	NCB30JK-105X	C CAPACITOR	1uF 6.3V K	
C409	NCBA1CK-103W	C CAPACITOR	0.01uF 16V K		C615	NDCA1HJ-101W	C CAPACITOR	100pF 50V J	
C410	NCB31CK-224X	C CAPACITOR	0.22uF 16V K		C616	NCBA1CK-103W	C CAPACITOR	0.01uF 16V K	
C413	NCBA1AK-104W	C CAPACITOR	0.1uF 10V K		C617	NCB31HK-103X	C CAPACITOR	0.01uF 50V K	
C414	NCB30JK-105X	C CAPACITOR	1uF 6.3V K		C618	NCBA1CK-103W	C CAPACITOR	0.01uF 16V K	
C415	NCBA1AK-104W	C CAPACITOR	0.1uF 10V K		C619	NCBA1CK-103W	C CAPACITOR	0.01uF 16V K	
C416	NCBA1AK-104W	C CAPACITOR	0.1uF 10V K		C620	NCBA1CK-103W	C CAPACITOR	0.01uF 16V K	
C417	NCBA1AK-104W	C CAPACITOR	0.1uF 10V K		C621	NCBA1CK-103W	C CAPACITOR	0.01uF 16V K	
C418	NCBA1AK-473W	C CAPACITOR	0.047uF 10V K		C622	NCBA1AK-104W	C CAPACITOR	0.1uF 10V K	
C419	NCB20JK-475X	C CAPACITOR	4.7uF 6.3V K		C623	NCBA1CK-103W	C CAPACITOR	0.01uF 16V K	
C420	NCB20JK-475X	C CAPACITOR	4.7uF 6.3V K		C624	NCBA1AK-104W	C CAPACITOR	0.1uF 10V K	
C421	NCB20JK-475X	C CAPACITOR	4.7uF 6.3V K		C625	NCBA1AK-104W	C CAPACITOR	0.1uF 10V K	
C422	NCBA1AK-104W	C CAPACITOR	0.1uF 10V K		C626	NCBA1CK-103W	C CAPACITOR	0.01uF 16V K	
C423	NBE21CM-106X	TA E CAPACITOR	10uF 16V M		C627	NCBA1AK-104W	C CAPACITOR	0.1uF 10V K	
C424	NDC31HJ-390X	C CAPACITOR	39pF 50V J		C628	NCBA1AK-104W	C CAPACITOR	0.1uF 10V K	
C425	NDC31HJ-390X	C CAPACITOR	39pF 50V J		C629	NCB20JK-106X	C CAPACITOR	10uF 6.3V K	
C426	NDC31HJ-390X	C CAPACITOR	39pF 50V J		C630	NCBA1CK-103W	C CAPACITOR	0.01uF 16V K	
C427	NCB20JK-106X	C CAPACITOR	10uF 6.3V K		C631	NCBA1AK-104W	C CAPACITOR	0.1uF 10V K	
C428	NCBA1AK-104W	C CAPACITOR	0.1uF 10V K		C632	NDCA1HJ-101W	C CAPACITOR	100pF 50V J	
C430	NCB31AK-474X	C CAPACITOR	0.47uF 10V K		C633	NCBA1CK-103W	C CAPACITOR	0.01uF 16V K	
C431	NCBA1HK-102W	C CAPACITOR	1000pF 50V K		C634	NCB30JK-105X	C CAPACITOR	1uF 6.3V K	
C432	NBE20JM-226X	TA E CAPACITOR	22uF 6.3V M		C635	NCBA1CK-103W	C CAPACITOR	0.01uF 16V K	
C433	NCBA1AK-104W	C CAPACITOR	0.1uF 10V K		C636	NCBA1CK-103W	C CAPACITOR	0.01uF 16V K	
C434	NDCA1HJ-100W	C CAPACITOR	10pF 50V J		C637	NCBA1AK-104W	C CAPACITOR	0.1uF 10V K	
C435	NCBA1CK-103W	C CAPACITOR	0.01uF 16V K		C638	NCB30JK-105X	C CAPACITOR	1uF 6.3V K	
C436	NCB31CK-224X	C CAPACITOR	0.22uF 16V K		C639	NDCA1HJ-101W	C CAPACITOR	100pF 50V J	
C438	NCB30JK-105X	C CAPACITOR	1uF 6.3V K		C640	NCB30JK-105X	C CAPACITOR	1uF 6.3V K	
C439	NCBA1AK-104W	C CAPACITOR	0.1uF 10V K		C641	NCBA1AK-104W	C CAPACITOR	0.1uF 10V K	
C440	NCB20JK-475X	C CAPACITOR	4.7uF 6.3V K		C642	NCB20JK-106X	C CAPACITOR	10uF 6.3V K	
C442	NCBA1AK-104W	C CAPACITOR	0.1uF 10V K		C643	NCBA1CK-103W	C CAPACITOR	0.01uF 16V K	
C443	NBE41AM-476X	TA E CAPACITOR	47uF 10V M		C644	NCBA1CK-103W	C CAPACITOR	0.01uF 16V K	
C444	NCBA1CK-103W	C CAPACITOR	0.01uF 16V K		C645	NCBA1AK-104W	C CAPACITOR	0.1uF 10V K	
C445	NCBA1CK-103W	C CAPACITOR	0.01uF 16V K		C646	NCBA1CK-103W	C CAPACITOR	0.01uF 16V K	
C446	NCB30JK-105X	C CAPACITOR	1uF 6.3V K		C647	NCBA1AK-104W	C CAPACITOR	0.1uF 10V K	
C447	NCBA1CK-103W	C CAPACITOR	0.01uF 16V K		C648	NCBA1CK-103W	C CAPACITOR	0.01uF 16V K	
C448	NCB21AK-225X	C CAPACITOR	2.2uF 10V K		C649	NCBA1AK-104W	C CAPACITOR	0.1uF 10V K	
C450	NCBA1CK-103W	C CAPACITOR	0.01uF 16V K		C650	NCBA1AK-104W	C CAPACITOR	0.1uF 10V K	
C481	NCB20JK-106X	C CAPACITOR	10uF 6.3V K		C651	NCBA1CK-103W	C CAPACITOR	0.01uF 16V K	
C482	NCBA1AK-104W	C CAPACITOR	0.1uF 10V K		C652	NCB20JK-106X	C CAPACITOR	10uF 6.3V K	
C483	NCBA1AK-104W	C CAPACITOR	0.1uF 10V K		C653	NCBA1CK-103W	C CAPACITOR	0.01uF 16V K	
C485	NCBA1CK-103W	C CAPACITOR	0.01uF 16V K		C654	NCBA1AK-104W	C CAPACITOR	0.1uF 10V K	
C486	NCB31HK-392X	C CAPACITOR	3900pF 50V K		C655	NCB20JK-106X	C CAPACITOR	10uF 6.3V K	
C487	NCBA1AK-104W	C CAPACITOR	0.1uF 10V K		C656	NCBA1AK-104W	C CAPACITOR	0.1uF 10V K	
					C4101	NBE20JM-476X	TA E CAPACITOR	47uF 6.3V M	

△ Symbol No.	Part No.	Part Name	Description	Local	△ Symbol No.	Part No.	Part Name	Description	Local
C4102	NCBA1AK-104W	C CAPACITOR	0.1uF 10V K		C4732	NCB31HK-473X	C CAPACITOR	0.047uF 50V K	
C4103	NCB30JK-105X	C CAPACITOR	1uF 6.3V K		C4733	NCZ1011-220X	C CAPACITOR	22pF	
C4104	NCBA1AK-104W	C CAPACITOR	0.1uF 10V K		C4734	NCB31HK-333X	C CAPACITOR	0.033uF 50V K	
C4105	NBE20JM-476X	TA E CAPACITOR	47uF 6.3V M		C4735	NCB31HK-392X	C CAPACITOR	3900pF 50V K	
C4106	NCBA1AK-104W	C CAPACITOR	0.1uF 10V K		C4736	NCF21HZ-105X	C CAPACITOR	1uF 50V Z	
C4107	NCBA1HK-102W	C CAPACITOR	1000pF 50V K		C4737	NCF21HZ-105X	C CAPACITOR	1uF 50V Z	
C4108	NCB30JK-105X	C CAPACITOR	1uF 6.3V K		C4738	NCJ11EK-106X-R	C CAPACITOR	10uF 25V	
C4110	NBE20JM-476X	TA E CAPACITOR	47uF 6.3V M		C4738	or NCJ11EK-106X-A	C CAPACITOR	10uF 25V K	
C4111	NCBA1AK-104W	C CAPACITOR	0.1uF 10V K		C4901	NCBA1AK-104W	C CAPACITOR	0.1uF 10V K	
C4118	NCBA1AK-104W	C CAPACITOR	0.1uF 10V K		C5001	NCB20JK-475X	C CAPACITOR	4.7uF 6.3V K	
C4119	NCB31HK-152X	C CAPACITOR	1500pF 50V K						
C4120	NCBA1AK-104W	C CAPACITOR	0.1uF 10V K		R403	NRSA6AJ-103W	MG RESISTOR	10kΩ 1/16W J	
C4121	NCBA1AK-104W	C CAPACITOR	0.1uF 10V K		R404	NRSA6AJ-0R0W	MG RESISTOR	0Ω 1/16W J	
C4201	NCJ11EK-106X-R	C CAPACITOR	10uF 25V		R405	NRSA6AJ-0R0W	MG RESISTOR	0Ω 1/16W J	
C4201	or NCJ11EK-106X-A	C CAPACITOR	10uF 25V K		R407	NRSA6AJ-0R0W	MG RESISTOR	0Ω 1/16W J	
C4202	NCB31CK-104X	C CAPACITOR	0.1uF 16V K		R408	NRSA6AJ-0R0W	MG RESISTOR	0Ω 1/16W J	
C4203	NCJ21CK-106X-R	C CAPACITOR	10uF 16V K		R410	NRSA6AJ-0R0W	MG RESISTOR	0Ω 1/16W J	
C4204	NCB31CK-104X	C CAPACITOR	0.1uF 16V K		R411	NRSA6AJ-0R0W	MG RESISTOR	0Ω 1/16W J	
C4205	NCB31CK-104X	C CAPACITOR	0.1uF 16V K		R412	NRSA6AJ-472W	MG RESISTOR	4.7kΩ 1/16W J	
C4206	NCB31CK-104X	C CAPACITOR	0.1uF 16V K		R413	NRSA6AJ-472W	MG RESISTOR	4.7kΩ 1/16W J	
C4207	NCB20JK-475X	C CAPACITOR	4.7uF 6.3V K		R414	NRSA6AJ-153W	MG RESISTOR	15kΩ 1/16W J	
C4208	NCB31CK-105X	C CAPACITOR	1uF 16V K		R415	NRSA6AJ-153W	MG RESISTOR	15kΩ 1/16W J	
C4301	NQR0450-001X	EMI FILTER	0.022uF 50V M		R416	NRSA6AJ-153W	MG RESISTOR	15kΩ 1/16W J	
C4302	NQR0450-001X	EMI FILTER	0.022uF 50V M		R417	NRSA6AJ-822W	MG RESISTOR	8.2kΩ 1/16W J	
C4303	NCB31CK-104X	C CAPACITOR	0.1uF 16V K		R418	NRSA6AJ-822W	MG RESISTOR	8.2kΩ 1/16W J	
C4304	NCBA1AK-104W	C CAPACITOR	0.1uF 10V K		R419	NRSA6AJ-822W	MG RESISTOR	8.2kΩ 1/16W J	
C4305	NCB31HK-104X	C CAPACITOR	0.1uF 50V K		R420	NRSA6AJ-222W	MG RESISTOR	2.2kΩ 1/16W J	
C4306	NCB31CK-104X	C CAPACITOR	0.1uF 16V K		R421	NRSA6AJ-222W	MG RESISTOR	2.2kΩ 1/16W J	
C4307	NCBA1AK-104W	C CAPACITOR	0.1uF 10V K		R422	NRSA6AJ-222W	MG RESISTOR	2.2kΩ 1/16W J	
C4308	NBE20JM-476X	TA E CAPACITOR	47uF 6.3V M		R423	NRSA6AJ-0R0W	MG RESISTOR	0Ω 1/16W J	
C4309	NBE41AM-476X	TA E CAPACITOR	47uF 10V M		R425	NRSA6AJ-0R0W	MG RESISTOR	0Ω 1/16W J	
C4310	NCJ11EK-106X-R	C CAPACITOR	10uF 25V		R427	NRSA6AJ-0R0W	MG RESISTOR	0Ω 1/16W J	
C4310	or NCJ11EK-106X-A	C CAPACITOR	10uF 25V K		R429	NRSA6AJ-0R0W	MG RESISTOR	0Ω 1/16W J	
C4311	NCJ11EK-106X-R	C CAPACITOR	10uF 25V		R430	NRSA6AJ-0R0W	MG RESISTOR	0Ω 1/16W J	
C4311	or NCJ11EK-106X-A	C CAPACITOR	10uF 25V K		R431	NRSA6AJ-0R0W	MG RESISTOR	0Ω 1/16W J	
C4312	NCJ21CK-106X-R	C CAPACITOR	10uF 16V K		R432	NRSA6AJ-0R0W	MG RESISTOR	0Ω 1/16W J	
C4313	NDCA1HJ-180W	C CAPACITOR	18pF 50V J		R433	NRSA6AJ-221W	MG RESISTOR	220Ω 1/16W J	
C4314	NDCA1HJ-180W	C CAPACITOR	18pF 50V J		R435	NRSA6AJ-104W	MG RESISTOR	100kΩ 1/16W J	
C4315	NDCA1HJ-100W	C CAPACITOR	10pF 50V J		R436	NRSA6AJ-221W	MG RESISTOR	220Ω 1/16W J	
C4316	NDCA1HJ-100W	C CAPACITOR	10pF 50V J		R438	NRSA6AJ-104W	MG RESISTOR	100kΩ 1/16W J	
C4317	NDCA1HJ-100W	C CAPACITOR	10pF 50V J		R439	NRSA6AJ-221W	MG RESISTOR	220Ω 1/16W J	
C4318	NDCA1HJ-180W	C CAPACITOR	18pF 50V J		R441	NRSA6AJ-104W	MG RESISTOR	100kΩ 1/16W J	
C4319	NDCA1HJ-180W	C CAPACITOR	18pF 50V J		R443	NRSA6AJ-102W	MG RESISTOR	1kΩ 1/16W J	
C4320	NDCA1HJ-180W	C CAPACITOR	18pF 50V J		R448	NRSA6AJ-333W	MG RESISTOR	33kΩ 1/16W J	
C4321	NDCA1HJ-180W	C CAPACITOR	18pF 50V J		R449	NRSA6AJ-0R0W	MG RESISTOR	0Ω 1/16W J	
C4322	NDCA1HJ-180W	C CAPACITOR	18pF 50V J		R450	NRSA6AJ-0R0W	MG RESISTOR	0Ω 1/16W J	
C4323	NDCA1HJ-180W	C CAPACITOR	18pF 50V J		R453	NRSA6AJ-331W	MG RESISTOR	330Ω 1/16W J	
C4701	NQR0450-001X	EMI FILTER	0.022uF 50V M		R454	NRSA6AJ-224W	MG RESISTOR	220kΩ 1/16W J	
C4706	NCBA1AK-104W	C CAPACITOR	0.1uF 10V K		R455	NRSA63J-121X	MG RESISTOR	120Ω 1/16W J	
C4707	NCB30JK-105X	C CAPACITOR	1uF 6.3V K		R456	NRSA63J-121X	MG RESISTOR	120Ω 1/16W J	
C4709	NCB21AK-225X	C CAPACITOR	2.2uF 10V K		R457	NRSA63J-121X	MG RESISTOR	120Ω 1/16W J	
C4710	NCBA1CK-103W	C CAPACITOR	0.01uF 16V K		R458	NRSA6AJ-101W	MG RESISTOR	100Ω 1/16W J	
C4711	NCB31AK-474X	C CAPACITOR	0.47uF 10V K		R459	NRSA6AJ-101W	MG RESISTOR	100Ω 1/16W J	
C4712	NCBA1AK-104W	C CAPACITOR	0.1uF 10V K		R462	NRSA6AJ-0R0W	MG RESISTOR	0Ω 1/16W J	
C4713	NDCA1HJ-101W	C CAPACITOR	100pF 50V J		R463	NRSA6AJ-0R0W	MG RESISTOR	0Ω 1/16W J	
C4714	NCBA1AK-104W	C CAPACITOR	0.1uF 10V K		R465	NRSA6AJ-0R0W	MG RESISTOR	0Ω 1/16W J	
C4715	NCB31HK-473X	C CAPACITOR	0.047uF 50V K		R466	NRSA6AJ-472W	MG RESISTOR	4.7kΩ 1/16W J	
C4717	NDC31HJ-221X	C CAPACITOR	220pF 50V J		R467	NRSA63J-472X	MG RESISTOR	4.7kΩ 1/16W J	
C4718	NDCA1HJ-101W	C CAPACITOR	100pF 50V J		R469	NRSA6AJ-0R0W	MG RESISTOR	0Ω 1/16W J	
C4719	NDCA1HJ-101W	C CAPACITOR	100pF 50V J		R472	NRSA6AJ-0R0W	MG RESISTOR	0Ω 1/16W J	
C4720	NCB31HK-682X	C CAPACITOR	6800pF 50V K		R473	NRSA6AJ-331W	MG RESISTOR	330Ω 1/16W J	
C4720	or NDC31EJ-682X	C CAPACITOR	6800pF 25V J		R482	NRSA6AJ-102W	MG RESISTOR	1kΩ 1/16W J	
C4721	NCBA1AK-104W	C CAPACITOR	0.1uF 10V K		R483	NRSA6AJ-102W	MG RESISTOR	1kΩ 1/16W J	
C4722	NDCA1HJ-101W	C CAPACITOR	100pF 50V J		R484	NRSA6AJ-102W	MG RESISTOR	1kΩ 1/16W J	
C4723	NDCA1HJ-101W	C CAPACITOR	100pF 50V J		R485	NRSA6AJ-102W	MG RESISTOR	1kΩ 1/16W J	
C4724	NCB31HK-473X	C CAPACITOR	0.047uF 50V K		R486	NRSA6AJ-102W	MG RESISTOR	1kΩ 1/16W J	
C4725	NCB31HK-473X	C CAPACITOR	0.047uF 50V K		R487	NRSA6AJ-102W	MG RESISTOR	1kΩ 1/16W J	
C4726	NCJ11EK-106X-R	C CAPACITOR	10uF 25V		R488	NRSA6AJ-0R0W	MG RESISTOR	0Ω 1/16W J	
C4726	or NCJ11EK-106X-A	C CAPACITOR	10uF 25V K		R489	NRSA63J-102X	MG RESISTOR	1kΩ 1/16W J	
C4727	NCJ11EK-106X-R	C CAPACITOR	10uF 25V		R490	NRSA6AJ-0R0W	MG RESISTOR	0Ω 1/16W J	
C4727	or NCJ11EK-106X-A	C CAPACITOR	10uF 25V K		R491	NRSA6AJ-101W	MG RESISTOR	100Ω 1/16W J	
C4728	NCJ11EK-106X-R	C CAPACITOR	10uF 25V		R501	NRSA6AJ-102W	MG RESISTOR	1kΩ 1/16W J	
C4728	or NCJ11EK-106X-A	C CAPACITOR	10uF 25V K		R502	NRSA6AJ-102W	MG RESISTOR	1kΩ 1/16W J	
C4729	NCJ11EK-106X-R	C CAPACITOR	10uF 25V		R503	NRSA6AJ-102W	MG RESISTOR	1kΩ 1/16W J	
C4729	or NCJ11EK-106X-A	C CAPACITOR	10uF 25V K		R504	NRSA6AJ-102W	MG RESISTOR	1kΩ 1/16W J	
C4730	NCJ11EK-106X-R	C CAPACITOR	10uF 25V		R506	NRSA6AJ-102W	MG RESISTOR	1kΩ 1/16W J	
C4730	or NCJ11EK-106X-A	C CAPACITOR	10uF 25V K		R507	NRSA6AJ-471W	MG RESISTOR	470Ω 1/16W J	
C4731	NCB11CK-225X	C CAPACITOR	2.2uF 16V K		R508	NRSA6AJ-471W	MG RESISTOR	470Ω 1/16W J	

△ Symbol No.	Part No.	Part Name	Description	Local	△ Symbol No.	Part No.	Part Name	Description	Local
R509	NRSA6AJ-101W	MG RESISTOR	100Ω 1/16W J		R607	NRSA63J-220X	MG RESISTOR	22Ω 1/16W J	
R510	NRSA6AJ-102W	MG RESISTOR	1kΩ 1/16W J		R608	NRSA6AJ-471W	MG RESISTOR	470Ω 1/16W J	
R511	NRSA6AJ-102W	MG RESISTOR	1kΩ 1/16W J		R610	NRSA63J-272X	MG RESISTOR	2.7kΩ 1/16W J	
R512	NRSA6AJ-153W	MG RESISTOR	15kΩ 1/16W J		R611	NRSA6AJ-103W	MG RESISTOR	10kΩ 1/16W J	
R513	NRSA6AJ-153W	MG RESISTOR	15kΩ 1/16W J		R612	NRSA6AJ-103W	MG RESISTOR	10kΩ 1/16W J	
R515	NRSA6AJ-102W	MG RESISTOR	1kΩ 1/16W J		R613	NRSA6AJ-103W	MG RESISTOR	10kΩ 1/16W J	
R516	NRSA6AJ-102W	MG RESISTOR	1kΩ 1/16W J		R618	NRSA6AJ-103W	MG RESISTOR	10kΩ 1/16W J	
R517	NRSA6AJ-102W	MG RESISTOR	1kΩ 1/16W J		R619	NRSA6AJ-103W	MG RESISTOR	10kΩ 1/16W J	
R518	NRSA6AJ-102W	MG RESISTOR	1kΩ 1/16W J		R620	NRSA6AJ-0R0W	MG RESISTOR	0Ω 1/16W J	
R519	NRSA6AJ-102W	MG RESISTOR	1kΩ 1/16W J		R622	NRSA6AJ-103W	MG RESISTOR	10kΩ 1/16W J	
R520	NRSA6AJ-102W	MG RESISTOR	1kΩ 1/16W J		R623	NRSA6AJ-103W	MG RESISTOR	10kΩ 1/16W J	
R521	NRSA6AJ-102W	MG RESISTOR	1kΩ 1/16W J		R625	NRSA6AJ-0R0W	MG RESISTOR	0Ω 1/16W J	
R522	NRSA6AJ-102W	MG RESISTOR	1kΩ 1/16W J		R626	NRSA6AJ-102W	MG RESISTOR	1kΩ 1/16W J	
R523	NRSA6AJ-102W	MG RESISTOR	1kΩ 1/16W J		R627	NRSA6AJ-0R0W	MG RESISTOR	0Ω 1/16W J	
R524	NRSA6AJ-102W	MG RESISTOR	1kΩ 1/16W J		R628	NRSA6AJ-103W	MG RESISTOR	10kΩ 1/16W J	
R525	NRSA6AJ-102W	MG RESISTOR	1kΩ 1/16W J		R629	NRSA6AJ-103W	MG RESISTOR	10kΩ 1/16W J	
R526	NRSA6AJ-102W	MG RESISTOR	1kΩ 1/16W J		R630	NRSA6AJ-473W	MG RESISTOR	47kΩ 1/16W J	
R528	NRSA6AJ-102W	MG RESISTOR	1kΩ 1/16W J		R631	NRSA6AJ-103W	MG RESISTOR	10kΩ 1/16W J	
R529	NRSA6AJ-102W	MG RESISTOR	1kΩ 1/16W J		R632	NRSA6AJ-103W	MG RESISTOR	10kΩ 1/16W J	
R530	NRSA6AJ-471W	MG RESISTOR	470Ω 1/16W J		R633	NRSA6AJ-473W	MG RESISTOR	47kΩ 1/16W J	
R531	NRSA6AJ-471W	MG RESISTOR	470Ω 1/16W J		R634	NRSA6AJ-102W	MG RESISTOR	1kΩ 1/16W J	
R532	NRSA6AJ-473W	MG RESISTOR	47kΩ 1/16W J		R635	NRSA6AJ-223W	MG RESISTOR	22kΩ 1/16W J	
R533	NRSA6AJ-471W	MG RESISTOR	470Ω 1/16W J		R636	NRSA6AJ-0R0W	MG RESISTOR	0Ω 1/16W J	
R534	NRSA6AJ-471W	MG RESISTOR	470Ω 1/16W J		R637	NRSA6AJ-0R0W	MG RESISTOR	0Ω 1/16W J	
R535	NRSA6AJ-471W	MG RESISTOR	470Ω 1/16W J		R638	NRSA6AJ-0R0W	MG RESISTOR	0Ω 1/16W J	
R536	NRSA6AJ-101W	MG RESISTOR	100Ω 1/16W J		R4101	NRSA6AJ-0R0W	MG RESISTOR	0Ω 1/16W J	
R537	NRSA6AJ-101W	MG RESISTOR	100Ω 1/16W J		R4104	NRSA6AJ-0R0W	MG RESISTOR	0Ω 1/16W J	
R538	NRSA6AJ-101W	MG RESISTOR	100Ω 1/16W J		R4106	NRSA6AJ-0R0W	MG RESISTOR	0Ω 1/16W J	
R539	NRSA6AJ-101W	MG RESISTOR	100Ω 1/16W J		R4107	NRSA63J-101X	MG RESISTOR	100Ω 1/16W J	
R540	NRSA6AJ-0R0W	MG RESISTOR	0Ω 1/16W J		R4108	NRSA63J-100X	MG RESISTOR	10Ω 1/16W J	
R542	NRSA6AJ-101W	MG RESISTOR	100Ω 1/16W J		R4109	NRSA6AJ-103W	MG RESISTOR	10kΩ 1/16W J	
R543	NRSA6AJ-473W	MG RESISTOR	47kΩ 1/16W J		R4111	NRSA6AJ-0R0W	MG RESISTOR	0Ω 1/16W J	
R544	NRSA6AJ-222W	MG RESISTOR	2.2kΩ 1/16W J		R4112	NRSA6AJ-0R0W	MG RESISTOR	0Ω 1/16W J	
R545	NRSA6AJ-471W	MG RESISTOR	470Ω 1/16W J		R4113	NRSA6AJ-0R0W	MG RESISTOR	0Ω 1/16W J	
R546	NRSA6AJ-471W	MG RESISTOR	470Ω 1/16W J		R4115	NRSA6AJ-0R0W	MG RESISTOR	0Ω 1/16W J	
R547	NRSA6AJ-471W	MG RESISTOR	470Ω 1/16W J		R4118	NRSA6AJ-0R0W	MG RESISTOR	0Ω 1/16W J	
R548	NRSA6AJ-471W	MG RESISTOR	470Ω 1/16W J		R4119	NRSA6AJ-0R0W	MG RESISTOR	0Ω 1/16W J	
R549	NRSA6AJ-471W	MG RESISTOR	470Ω 1/16W J		R4120	NRSA6AJ-0R0W	MG RESISTOR	0Ω 1/16W J	
R551	NRSA6AJ-473W	MG RESISTOR	47kΩ 1/16W J		R4121	NRSA6AJ-0R0W	MG RESISTOR	0Ω 1/16W J	
R552	NRSA6AJ-102W	MG RESISTOR	1kΩ 1/16W J		R4124	NRSA6AJ-0R0W	MG RESISTOR	0Ω 1/16W J	
R553	NRSA6AJ-471W	MG RESISTOR	470Ω 1/16W J		R4125	NRSA6AJ-101W	MG RESISTOR	100Ω 1/16W J	
R554	NRSA6AJ-102W	MG RESISTOR	1kΩ 1/16W J		R4126	NRSA6AJ-101W	MG RESISTOR	100Ω 1/16W J	
R555	NRSA6AJ-102W	MG RESISTOR	1kΩ 1/16W J		R4127	NRSA6AJ-101W	MG RESISTOR	100Ω 1/16W J	
R556	NRSA6AJ-102W	MG RESISTOR	1kΩ 1/16W J		R4128	NRSA6AJ-101W	MG RESISTOR	100Ω 1/16W J	
R557	NRSA6AJ-102W	MG RESISTOR	1kΩ 1/16W J		R4129	NRSA6AJ-101W	MG RESISTOR	100Ω 1/16W J	
R558	NRSA6AJ-102W	MG RESISTOR	1kΩ 1/16W J		R4130	NRSA6AJ-101W	MG RESISTOR	100Ω 1/16W J	
R559	NRSA6AJ-102W	MG RESISTOR	1kΩ 1/16W J		R4131	NRSA6AJ-0R0W	MG RESISTOR	0Ω 1/16W J	
R560	NRSA6AJ-0R0W	MG RESISTOR	0Ω 1/16W J		R4132	NRSA6AJ-0R0W	MG RESISTOR	0Ω 1/16W J	
R561	NRSA6AJ-222W	MG RESISTOR	2.2kΩ 1/16W J		R4133	NRSA6AJ-0R0W	MG RESISTOR	0Ω 1/16W J	
R562	NRSA6AJ-103W	MG RESISTOR	10kΩ 1/16W J		R4135	NRSA6AJ-0R0W	MG RESISTOR	0Ω 1/16W J	
R564	NRSA6AJ-473W	MG RESISTOR	47kΩ 1/16W J		R4136	NRSA6AJ-0R0W	MG RESISTOR	0Ω 1/16W J	
R565	NRSA6AJ-473W	MG RESISTOR	47kΩ 1/16W J		R4138	NRSA6AJ-0R0W	MG RESISTOR	0Ω 1/16W J	
R566	NRSA6AJ-471W	MG RESISTOR	470Ω 1/16W J		R4140	NRSA6AJ-0R0W	MG RESISTOR	0Ω 1/16W J	
R567	NRSA6AJ-102W	MG RESISTOR	1kΩ 1/16W J		R4146	NRSA63J-100X	MG RESISTOR	10Ω 1/16W J	
R569	NRSA6AJ-103W	MG RESISTOR	10kΩ 1/16W J		R4147	NRSA6AJ-153W	MG RESISTOR	15kΩ 1/16W J	
R571	NRSA6AJ-0R0W	MG RESISTOR	0Ω 1/16W J		R4154	NRSA6AJ-0R0W	MG RESISTOR	0Ω 1/16W J	
R574	NRSA6AJ-0R0W	MG RESISTOR	0Ω 1/16W J		R4201	NRSA63J-103X	MG RESISTOR	10kΩ 1/16W J	
R575	NRSA6AJ-474W	MG RESISTOR	470kΩ 1/16W J		R4202	NRSA63J-103X	MG RESISTOR	10kΩ 1/16W J	
R576	NRSA6AJ-473W	MG RESISTOR	47kΩ 1/16W J		R4205	NRSA63J-223X	MG RESISTOR	22kΩ 1/16W J	
R577	NRSA6AJ-333W	MG RESISTOR	33kΩ 1/16W J		R4206	NRSA63J-682X	MG RESISTOR	6.8kΩ 1/16W J	
R578	NRSA6AJ-332W	MG RESISTOR	3.3kΩ 1/16W J		R4207	NRSA63J-823X	MG RESISTOR	82kΩ 1/16W J	
R579	NRSA6AJ-223W	MG RESISTOR	22kΩ 1/16W J		R4208	NRSA63J-153X	MG RESISTOR	15kΩ 1/16W J	
R580	NRSA6AJ-474W	MG RESISTOR	470kΩ 1/16W J		R4209	NRSA63J-683X	MG RESISTOR	68kΩ 1/16W J	
R581	NRSA6AJ-222W	MG RESISTOR	2.2kΩ 1/16W J		R4210	NRSA63J-101X	MG RESISTOR	100Ω 1/16W J	
R582	NRSA6AJ-332W	MG RESISTOR	3.3kΩ 1/16W J		R4211	NRSA63J-103X	MG RESISTOR	10kΩ 1/16W J	
R583	NRSA6AJ-223W	MG RESISTOR	22kΩ 1/16W J		R4212	NRSA63J-103X	MG RESISTOR	10kΩ 1/16W J	
R584	NRSA6AJ-474W	MG RESISTOR	470kΩ 1/16W J		R4213	NRSA63J-390X	MG RESISTOR	39Ω 1/16W J	
R585	NRSA6AJ-222W	MG RESISTOR	2.2kΩ 1/16W J		R4214	NRSA63J-2R2X	MG RESISTOR	2.2Ω 1/16W J	
R586	NRSA6AJ-223W	MG RESISTOR	22kΩ 1/16W J		R4215	NRSA63J-2R2X	MG RESISTOR	2.2Ω 1/16W J	
R587	NRSA6AJ-332W	MG RESISTOR	3.3kΩ 1/16W J		R4216	NRSA63J-390X	MG RESISTOR	39Ω 1/16W J	
R588	NRSA6AJ-223W	MG RESISTOR	22kΩ 1/16W J		R4301	NRSA6AJ-0R0W	MG RESISTOR	0Ω 1/16W J	
R589	NRSA6AJ-332W	MG RESISTOR	3.3kΩ 1/16W J		R4302	NRSA6AJ-0R0W	MG RESISTOR	0Ω 1/16W J	
R590	NRSA6AJ-223W	MG RESISTOR	22kΩ 1/16W J		R4303	NRSA6AJ-0R0W	MG RESISTOR	0Ω 1/16W J	
R591	NRSA6AJ-223W	MG RESISTOR	22kΩ 1/16W J		R4305	NRSA6AJ-0R0W	MG RESISTOR	0Ω 1/16W J	
R593	NRSA6AJ-222W	MG RESISTOR	2.2kΩ 1/16W J		R4306	NRSA6AJ-0R0W	MG RESISTOR	0Ω 1/16W J	
R601	NRSA6AJ-0R0W	MG RESISTOR	0Ω 1/16W J		R4703	NRSA6AJ-0R0W	MG RESISTOR	0Ω 1/16W J	
R605	NRSA63J-220X	MG RESISTOR	22Ω 1/16W J		R4705	NRSA6AJ-682W	MG RESISTOR	6.8kΩ 1/16W J	
R606	NRSA63J-220X	MG RESISTOR	22Ω 1/16W J		R4707	NRSA6AJ-104W	MG RESISTOR	100kΩ 1/16W J	

△ Symbol No.	Part No.	Part Name	Description	Local	△ Symbol No.	Part No.	Part Name	Description	Local
R4708	NRSA63J-333X	MG RESISTOR	33kΩ 1/16W J		K401	NRSA63J-0R0X	MG RESISTOR	0Ω 1/16W J	
R4709	NRSA63J-184X	MG RESISTOR	180kΩ 1/16W J		K402	NRSA63J-0R0X	MG RESISTOR	0Ω 1/16W J	
R4710	NRSA63J-0R0X	MG RESISTOR	0Ω 1/16W J		K403	NRSA63J-0R0X	MG RESISTOR	0Ω 1/16W J	
R4711	NRSA63J-470X	MG RESISTOR	47Ω 1/16W J		K404	NRSA63J-0R0X	MG RESISTOR	0Ω 1/16W J	
R4712	NRSA63J-470X	MG RESISTOR	47Ω 1/16W J		K405	NRSA63J-0R0X	MG RESISTOR	0Ω 1/16W J	
R4713	NRSA63J-274X	MG RESISTOR	270kΩ 1/16W J		K406	NRSA63J-0R0X	MG RESISTOR	0Ω 1/16W J	
R4714	NRSA63J-823X	MG RESISTOR	82kΩ 1/16W J		K407	NRSA63J-0R0X	MG RESISTOR	0Ω 1/16W J	
R4715	NRSA63J-470X	MG RESISTOR	47Ω 1/16W J		K408	NRSA63J-0R0X	MG RESISTOR	0Ω 1/16W J	
R4716	NRSA63J-470X	MG RESISTOR	47Ω 1/16W J		K409	NRSA63J-0R0X	MG RESISTOR	0Ω 1/16W J	
R4717	NRSA63J-512X	MG RESISTOR	5.1kΩ 1/16W J		K410	NRSA63J-0R0X	MG RESISTOR	0Ω 1/16W J	
R4718	NRSA63J-512X	MG RESISTOR	5.1kΩ 1/16W J		K411	NRSA63J-0R0X	MG RESISTOR	0Ω 1/16W J	
R4719	NRSA63J-105X	MG RESISTOR	1MΩ 1/16W J		K412	NRSA63J-0R0X	MG RESISTOR	0Ω 1/16W J	
R4720	NRSA63J-391X	MG RESISTOR	390Ω 1/16W J		K413	NRSA63J-0R0X	MG RESISTOR	0Ω 1/16W J	
R4721	NRSA63J-513X	MG RESISTOR	51kΩ 1/16W J		K414	NRSA63J-0R0X	MG RESISTOR	0Ω 1/16W J	
R4722	NRSA6AJ-0R0W	MG RESISTOR	0Ω 1/16W J		K415	NRSA63J-0R0X	MG RESISTOR	0Ω 1/16W J	
R4723	NRSA6AJ-224W	MG RESISTOR	220kΩ 1/16W J		K416	NRSA63J-0R0X	MG RESISTOR	0Ω 1/16W J	
R4724	NRSA63J-515X	MG RESISTOR	5.1MΩ 1/16W J		K417	NRSA63J-0R0X	MG RESISTOR	0Ω 1/16W J	
R4901	NRSA6AJ-302W	MG RESISTOR	3kΩ 1/16W J		K418	NRSA63J-0R0X	MG RESISTOR	0Ω 1/16W J	
R4902	NRSA6AJ-272W	MG RESISTOR	2.7kΩ 1/16W J		K419	NRSA63J-0R0X	MG RESISTOR	0Ω 1/16W J	
R4903	NRSA6AJ-392W	MG RESISTOR	3.9kΩ 1/16W J		K501	NRSA63J-0R0X	MG RESISTOR	0Ω 1/16W J	
R4904	NRSA6AJ-302W	MG RESISTOR	3kΩ 1/16W J		K601	NQR0022-005X	FERRITE BEADS		
R4905	NRSA6AJ-272W	MG RESISTOR	2.7kΩ 1/16W J		K602	NQR0022-005X	FERRITE BEADS		
R5001	NRSA6AJ-681W	MG RESISTOR	680Ω 1/16W J		K603	NQR0022-005X	FERRITE BEADS		
R5003	NRSA6AJ-302W	MG RESISTOR	3kΩ 1/16W J		K604	NQR0022-005X	FERRITE BEADS		
R5004	NRSA6AJ-302W	MG RESISTOR	3kΩ 1/16W J		K605	NQR0022-005X	FERRITE BEADS		
R5005	NRSA63J-473X	MG RESISTOR	47kΩ 1/16W J		K606	NQR0022-005X	FERRITE BEADS		
R5006	NRSA63J-562X	MG RESISTOR	5.6kΩ 1/16W J		K4101	NQR0251-004X	FERRITE BEADS		
R5007	NRSA6AJ-221W	MG RESISTOR	220Ω 1/16W J		K4102	NQR0251-004X	FERRITE BEADS		
R5009	NRSA6AJ-561W	MG RESISTOR	560Ω 1/16W J		K4103	NQR0251-001X	FERRITE BEADS		
R5011	NRSA6AJ-561W	MG RESISTOR	560Ω 1/16W J		K4104	NQR0251-001X	FERRITE BEADS		
R5013	NRSA6AJ-122W	MG RESISTOR	1.2kΩ 1/16W J		K4105	NQR0251-001X	FERRITE BEADS		
R5015	NRSA63J-391X	MG RESISTOR	390Ω 1/16W J		K4106	NQR0251-001X	FERRITE BEADS		
R5016	NRSA63J-0R0X	MG RESISTOR	0Ω 1/16W J		K4107	NQR0251-001X	FERRITE BEADS		
R5017	NRSA63J-473X	MG RESISTOR	47kΩ 1/16W J		K4108	NQR0251-001X	FERRITE BEADS		
R5018	NRSA63J-0R0X	MG RESISTOR	0Ω 1/16W J		K4109	NQR0251-004X	FERRITE BEADS		
R5020	NRSA6AJ-561W	MG RESISTOR	560Ω 1/16W J		K5201	NRSA63J-0R0X	MG RESISTOR	0Ω 1/16W J	
R5022	NRSA6AJ-122W	MG RESISTOR	1.2kΩ 1/16W J		K5202	NRSA63J-0R0X	MG RESISTOR	0Ω 1/16W J	
RA501	NRZ0065-471X	NET RESISTOR	470Ω		K5203	NRSA63J-0R0X	MG RESISTOR	0Ω 1/16W J	
RA502	NRZ0065-471X	NET RESISTOR	470Ω		K5204	NRSA63J-0R0X	MG RESISTOR	0Ω 1/16W J	
RA503	NRZ0065-471X	NET RESISTOR	470Ω		S4901	NSW0305-001X	TACT SWITCH		
RA504	NRZ0065-471X	NET RESISTOR	470Ω		S4902	NSW0305-001X	TACT SWITCH		
RA505	NRZ0065-471X	NET RESISTOR	470Ω		S4903	NSW0305-001X	TACT SWITCH		
RA506	NRZ0065-471X	NET RESISTOR	470Ω		S4904	NSW0305-001X	TACT SWITCH		
RA507	NRZ0065-471X	NET RESISTOR	470Ω		S4905	NSW0305-001X	TACT SWITCH		
RA508	NRZ0065-471X	NET RESISTOR	470Ω		S4906	NSW0305-001X	TACT SWITCH		
RA509	NRZ0065-471X	NET RESISTOR	470Ω		S4907	NSW0305-001X	TACT SWITCH		
RA510	NRZ0065-102X	NET RESISTOR	1kΩ 1/16W J		S4908	NSW0305-001X	TACT SWITCH		
RA511	NRZ0065-102X	NET RESISTOR	1kΩ 1/16W J		X401	NAX0728-001X	CRYSTAL	4.43361875MHz	
					X501	NAX0841-001X	C RESONATOR		
					X601	NAX0873-001X	CRYSTAL		
L401	NQL79GM-220X	COIL	22uH M						
L402	NQL79GM-220X	COIL	22uH M						
L405	NQL79GM-220X	COIL	22uH M						
L406	NQL085J-180X	COIL	18uH J						
L407	NQL085J-180X	COIL	18uH J						
L408	NQL085J-180X	COIL	18uH J						
L409	NQL79GM-220X	COIL	22uH M						
L410	NQL79GM-220X	COIL	22uH M						
L412	NQL79GM-220X	COIL	22uH M						
L421	NQL79GM-220X	COIL	22uH M						
L422	NQL79GM-220X	COIL	22uH M						
L481	NQL79GM-100X	COIL	10uH M						
L501	NQL79GM-100X	COIL	10uH M						
L601	NQL79GM-100X	COIL	10uH M						
L602	NQL79GM-100X	COIL	10uH M						
L4101	NQL79GM-100X	COIL	10uH M						
L4301	NQL79GM-470X	COIL	47uH M						
L4302	NQL79GM-470X	COIL	47uH M						
L4701	NQL79GM-470X	COIL	47uH M						
L4702	NQL79GM-470X	COIL	47uH M						
L4703	NQL52EM-100X	COIL	10uH M						
T471	NQR0636-001	C FL TRANSF							
CN401	QGF0522F3-45W	CONNECTOR	FFC/FPC (1-45)		Q101	2SB1424/R/-W	TRANSISTOR		
CN431	QGF0534F2-30X	CONNECTOR	FFC/FPC (1-30)		Q102	2SC4617/R/-X	TRANSISTOR		
CN471	QGA8002F1-02X	CONNECTOR	W-B (1-2)		Q103	2SB1424/R/-W	TRANSISTOR		
CN491	QGF0545F3-13X	CONNECTOR	FFC/FPC (1-13)		Q104	2SC4617/R/-X	TRANSISTOR		
CN511	QGF0523F2-13W	CONNECTOR	FFC/FPC (1-13)		Q106	2SK3019-X	MOS FET		
CN591	QGF1038F2-04X	CONNECTOR	FFC/FPC (1-4)		Q107	2SK3019-X	MOS FET		

Front end board

Block No. [0][5]

△ Symbol No.	Part No.	Part Name	Description	Local
IC201	BA5835FM-X	IC		
IC251	BD6671FM-X	IC		
IC301	MN2DS0016AA	IC		
IC302	BA00HC5WF-X	IC		
IC306	ISP1106DH-X	IC		
IC308	XC2164A51FM-X	IC		
IC398	SG32A90TFIR36K	IC(PROGRAMED)		
IC399	K4S281632I-UC75	IC (DIGITAL)		
IC399	or EDS1216AGTA-75	IC(DIGITAL)		
IC411	NJM4580V-X	IC		
IC481	BR24L32FV-W-X	IC(DIGITAL)		
Q101	2SB1424/R/-W	TRANSISTOR		
Q102	2SC4617/R/-X	TRANSISTOR		
Q103	2SB1424/R/-W	TRANSISTOR		
Q104	2SC4617/R/-X	TRANSISTOR		
Q106	2SK3019-X	MOS FET		
Q107	2SK3019-X	MOS FET		

△ Symbol No.	Part No.	Part Name	Description	Local	△ Symbol No.	Part No.	Part Name	Description	Local
Q231	RT1N141U-X	TRANSISTOR			C323	NCB31CK-104X	C CAPACITOR	0.1uF 16V K	
Q301	RT1N441U-X	TRANSISTOR			C324	NCB21CK-105X	C CAPACITOR	1uF 16V K	
Q302	RT1N441U-X	TRANSISTOR			C325	NDC31HJ-120X	C CAPACITOR	12pF 50V J	
C1	NCB31CK-104X	C CAPACITOR	0.1uF 16V K		C326	NDC31HJ-120X	C CAPACITOR	12pF 50V J	
C2	NCB31CK-104X	C CAPACITOR	0.1uF 16V K		C327	NCB31CK-104X	C CAPACITOR	0.1uF 16V K	
C3	NCB31CK-104X	C CAPACITOR	0.1uF 16V K		C328	NCB31CK-104X	C CAPACITOR	0.1uF 16V K	
C4	NCB31CK-104X	C CAPACITOR	0.1uF 16V K		C330	NCB31CK-104X	C CAPACITOR	0.1uF 16V K	
C5	NCB31CK-104X	C CAPACITOR	0.1uF 16V K		C331	NCB31CK-333X	C CAPACITOR	0.033uF 16V K	
C6	NCB31CK-104X	C CAPACITOR	0.1uF 16V K		C332	NCB31CK-104X	C CAPACITOR	0.1uF 16V K	
C7	NCB31CK-104X	C CAPACITOR	0.1uF 16V K		C333	NCB31CK-104X	C CAPACITOR	0.1uF 16V K	
C8	NCB31CK-104X	C CAPACITOR	0.1uF 16V K		C335	NCB31CK-104X	C CAPACITOR	0.1uF 16V K	
C9	NCB31CK-104X	C CAPACITOR	0.1uF 16V K		C336	NCB31CK-104X	C CAPACITOR	0.1uF 16V K	
C11	NCB31CK-104X	C CAPACITOR	0.1uF 16V K		C337	NCB31HK-183X	C CAPACITOR	0.018uF 50V K	
C12	NCB31CK-104X	C CAPACITOR	0.1uF 16V K		C338	NCB31HK-562X	C CAPACITOR	5600pF 50V K	
C13	NCB31CK-104X	C CAPACITOR	0.1uF 16V K		C339	NCB31CK-104X	C CAPACITOR	0.1uF 16V K	
C14	NCB31CK-104X	C CAPACITOR	0.1uF 16V K		C340	NCB21CK-105X	C CAPACITOR	1uF 16V K	
C15	NCB31CK-104X	C CAPACITOR	0.1uF 16V K		C341	NCB21CK-105X	C CAPACITOR	1uF 16V K	
C16	NCB31CK-104X	C CAPACITOR	0.1uF 16V K		C347	NCB31CK-104X	C CAPACITOR	0.1uF 16V K	
C17	NCB31CK-104X	C CAPACITOR	0.1uF 16V K		C348	NCB31AK-684X	C CAPACITOR	0.68uF 10V K	
C18	NCB31CK-104X	C CAPACITOR	0.1uF 16V K		C349	NCB31CK-104X	C CAPACITOR	0.1uF 16V K	
C20	NCB31CK-104X	C CAPACITOR	0.1uF 16V K		C350	NCB31AK-684X	C CAPACITOR	0.68uF 10V K	
C21	NCB31CK-104X	C CAPACITOR	0.1uF 16V K		C358	NDC31HJ-5R0X	C CAPACITOR	5pF 50V J	
C22	NCB31CK-104X	C CAPACITOR	0.1uF 16V K		C359	NDC31HJ-5R0X	C CAPACITOR	5pF 50V J	
C101	NCB31CK-104X	C CAPACITOR	0.1uF 16V K		C364	NBE40JM-476X	TA E CAPACITOR	47uF 6.3V M	
C102	NCB31CK-104X	C CAPACITOR	0.1uF 16V K		C365	NCB31CK-104X	C CAPACITOR	0.1uF 16V K	
C103	NCB31CK-104X	C CAPACITOR	0.1uF 16V K		C366	NCB21CK-105X	C CAPACITOR	1uF 16V K	
C104	NCB31CK-104X	C CAPACITOR	0.1uF 16V K		C369	NBE40JM-476X	TA E CAPACITOR	47uF 6.3V M	
C105	NBE41AM-476X	TA E CAPACITOR	47uF 10V M		C371	NCB21CK-105X	C CAPACITOR	1uF 16V K	
C106	NBE41AM-476X	TA E CAPACITOR	47uF 10V M		C381	NCB31CK-104X	C CAPACITOR	0.1uF 16V K	
C108	NBE41AM-476X	TA E CAPACITOR	47uF 10V M		C382	NCB31CK-104X	C CAPACITOR	0.1uF 16V K	
C111	NCB31CK-104X	C CAPACITOR	0.1uF 16V K		C383	NCB31CK-104X	C CAPACITOR	0.1uF 16V K	
C112	NCB31CK-104X	C CAPACITOR	0.1uF 16V K		C391	NCB31CK-104X	C CAPACITOR	0.1uF 16V K	
C201	NEAF1CM-107X	E CAPACITOR	100uF 16V M		C392	NCB31CK-104X	C CAPACITOR	0.1uF 16V K	
C202	NCB31CK-104X	C CAPACITOR	0.1uF 16V K		C393	NCB31CK-104X	C CAPACITOR	0.1uF 16V K	
C203	NDC31HJ-271X	C CAPACITOR	270pF 50V J		C394	NCB31CK-104X	C CAPACITOR	0.1uF 16V K	
C204	NDC31HJ-151X	C CAPACITOR	150pF 50V J		C396	NCB31CK-104X	C CAPACITOR	0.1uF 16V K	
C205	NCB31HK-681X	C CAPACITOR	680pF 50V K		C397	NBE20JM-226X	TA E CAPACITOR	22uF 6.3V M	
C206	NCB31HK-561X	C CAPACITOR	560pF 50V K		C451	NCB31CK-104X	C CAPACITOR	0.1uF 16V K	
C211	NEAF1CM-107X	E CAPACITOR	100uF 16V M		C452	NCB31CK-104X	C CAPACITOR	0.1uF 16V K	
C212	NCB31CK-104X	C CAPACITOR	0.1uF 16V K		C453	NCB31CK-104X	C CAPACITOR	0.1uF 16V K	
C213	NCB31CK-104X	C CAPACITOR	0.1uF 16V K		C454	NCB31CK-104X	C CAPACITOR	0.1uF 16V K	
C221	NCB31HK-223X	C CAPACITOR	0.022uF 50V K		C481	NCB31CK-104X	C CAPACITOR	0.1uF 16V K	
C222	NCB31HK-103X	C CAPACITOR	0.01uF 50V K		C491	NCB31CK-104X	C CAPACITOR	0.1uF 16V K	
C238	NCB31CK-104X	C CAPACITOR	0.1uF 16V K		R30	NRSA63J-0R0X	MG RESISTOR	0Ω 1/16W J	
C239	NCB31CK-104X	C CAPACITOR	0.1uF 16V K		R31	NRSA6AD-153W	MG RESISTOR	15kΩ 1/16W D	
C240	NCB31CK-104X	C CAPACITOR	0.1uF 16V K		R32	NRSA6AD-153W	MG RESISTOR	15kΩ 1/16W D	
C251	NCB31CK-104X	C CAPACITOR	0.1uF 16V K		R33	NRS181F-330X	MG RESISTOR	33Ω 1/8W F	
C252	NEAF1CM-107X	E CAPACITOR	100uF 16V M		R34	NRS181F-330X	MG RESISTOR	33Ω 1/8W F	
C253	NCB31CK-104X	C CAPACITOR	0.1uF 16V K		R35	NRSA6AD-102W	MG RESISTOR	1kΩ 1/16W D	
C254	NBE21AM-106X	TA E CAPACITOR	10uF 10V M		R36	NRSA6AD-221W	MG RESISTOR	220Ω 1/16W D	
C255	NCB31CK-104X	C CAPACITOR	0.1uF 16V K		R38	NRSA6AD-102W	MG RESISTOR	1kΩ 1/16W D	
C256	NCB31CK-473X	C CAPACITOR	0.047uF 16V K		R39	NRSA6AD-221W	MG RESISTOR	220Ω 1/16W D	
C257	NCB31HK-102X	C CAPACITOR	1000pF 50V K		R40	NRSA6AD-221W	MG RESISTOR	220Ω 1/16W D	
C258	NCB31HK-102X	C CAPACITOR	1000pF 50V K		R41	NRSA6AD-102W	MG RESISTOR	1kΩ 1/16W D	
C259	NCB31HK-102X	C CAPACITOR	1000pF 50V K		R42	NRSA6AD-221W	MG RESISTOR	220Ω 1/16W D	
C264	NCB31HK-103X	C CAPACITOR	0.01uF 50V K		R43	NRSA6AD-221W	MG RESISTOR	220Ω 1/16W D	
C265	NCB31CK-104X	C CAPACITOR	0.1uF 16V K		R44	NRSA63J-0R0X	MG RESISTOR	0Ω 1/16W J	
C266	NCB31CK-104X	C CAPACITOR	0.1uF 16V K		R45	NRSA6AD-473W	MG RESISTOR	47kΩ 1/16W D	
C267	NCB31HK-103X	C CAPACITOR	0.01uF 50V K		R46	NRSA6AD-103W	MG RESISTOR	10kΩ 1/16W D	
C268	NCB31HK-153X	C CAPACITOR	0.015uF 50V K		R101	NRSA6AD-910W	MG RESISTOR	91Ω 1/16W D	
C301	NBE41AM-476X	TA E CAPACITOR	47uF 10V M		R102	NRSA6AD-910W	MG RESISTOR	91Ω 1/16W D	
C302	NBE40JM-476X	TA E CAPACITOR	47uF 6.3V M		R103	NRSA63D-432X	MG RESISTOR	4.3kΩ 1/16W D	
C305	NCB31CK-104X	C CAPACITOR	0.1uF 16V K		R104	NRSA63D-242X	MG RESISTOR	2.4kΩ 1/16W D	
C308	NCB31CK-104X	C CAPACITOR	0.1uF 16V K		R105	NRS125J-120X	MG RESISTOR	12Ω 1/2W J	
C309	NCB31CK-104X	C CAPACITOR	0.1uF 16V K		R106	NRSA63J-2R2X	MG RESISTOR	2.2Ω 1/16W J	
C310	NCB31HK-103X	C CAPACITOR	0.01uF 50V K		R107	NRSA6AD-102W	MG RESISTOR	1kΩ 1/16W D	
C311	NCB31CK-104X	C CAPACITOR	0.1uF 16V K		R108	NRSA63J-471X	MG RESISTOR	470Ω 1/16W J	
C312	NCB21CK-105X	C CAPACITOR	1uF 16V K		R109	NRSA63J-331X	MG RESISTOR	330Ω 1/16W J	
C313	NCB31CK-104X	C CAPACITOR	0.1uF 16V K		R110	NRSA63J-0R0X	MG RESISTOR	0Ω 1/16W J	
C315	NCB31CK-104X	C CAPACITOR	0.1uF 16V K		R111	NRSA63D-432X	MG RESISTOR	4.3kΩ 1/16W D	
C316	NCB31CK-105X	C CAPACITOR	1uF 16V K		R112	NRSA63D-242X	MG RESISTOR	2.4kΩ 1/16W D	
C317	NCB31CK-104X	C CAPACITOR	0.1uF 16V K		R113	NRS125J-120X	MG RESISTOR	12Ω 1/2W J	
C318	NCB31CK-104X	C CAPACITOR	0.1uF 16V K		R114	NRSA63J-2R2X	MG RESISTOR	2.2Ω 1/16W J	
C319	NCB31CK-104X	C CAPACITOR	0.1uF 16V K		R115	NRSA6AD-102W	MG RESISTOR	1kΩ 1/16W D	
C320	NCB31CK-104X	C CAPACITOR	0.1uF 16V K		R116	NRSA63J-471X	MG RESISTOR	470Ω 1/16W J	
C321	NCB31CK-104X	C CAPACITOR	0.1uF 16V K		R117	NRSA63J-331X	MG RESISTOR	330Ω 1/16W J	
C322	NCB31CK-104X	C CAPACITOR	0.1uF 16V K		R118	NRSA63J-0R0X	MG RESISTOR	0Ω 1/16W J	

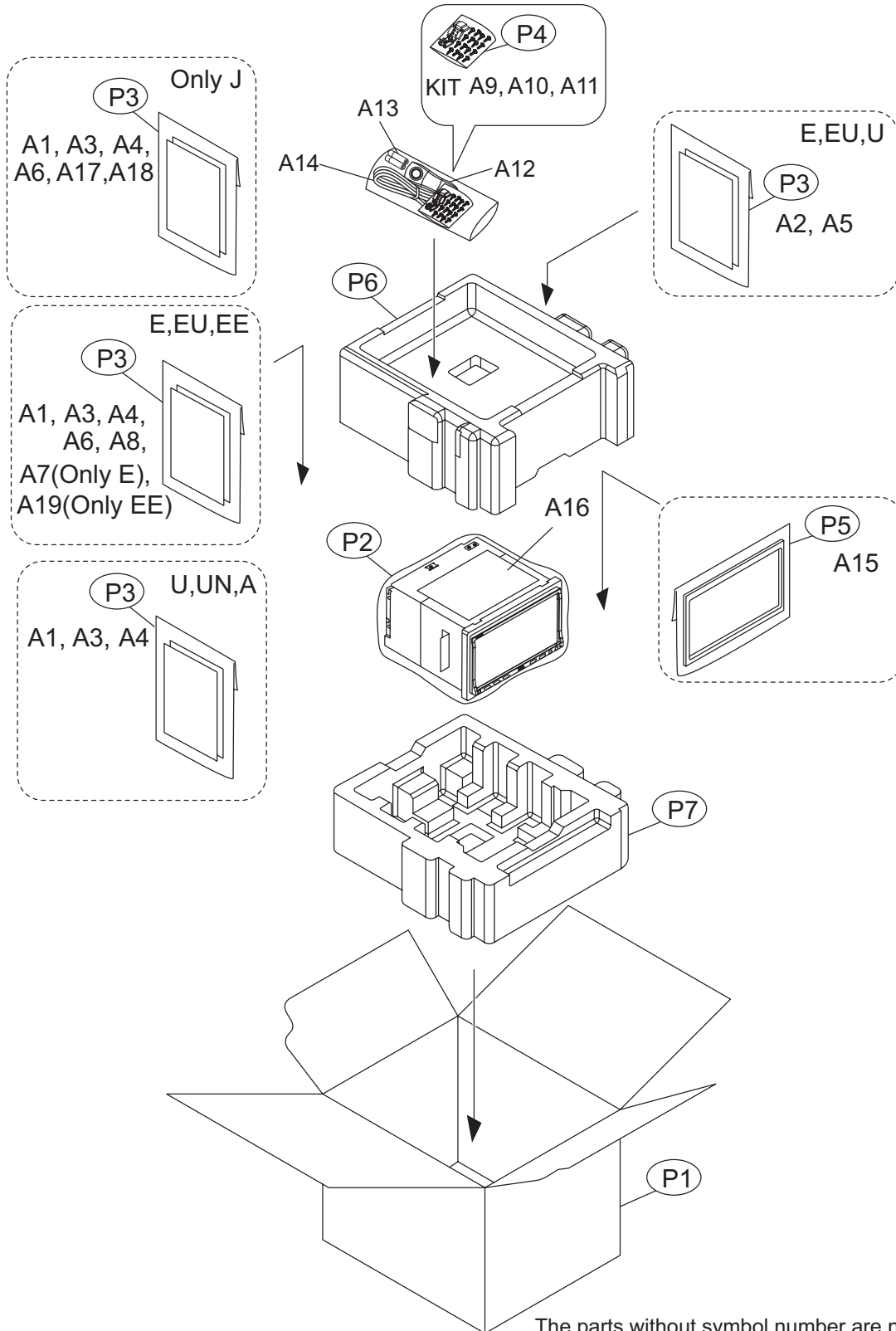
△ Symbol No.	Part No.	Part Name	Description	Local	△ Symbol No.	Part No.	Part Name	Description	Local
R119	NRSA63J-0R0X	MG RESISTOR	0Ω 1/16W J		R362	NRSA63J-0R0X	MG RESISTOR	0Ω 1/16W J	
R120	NRSA63J-0R0X	MG RESISTOR	0Ω 1/16W J		R363	NRSA6AD-151W	MG RESISTOR	150Ω 1/16W D	
R121	NRSA63J-0R0X	MG RESISTOR	0Ω 1/16W J		R364	NRSA6AD-151W	MG RESISTOR	150Ω 1/16W D	
R122	NRSA63J-0R0X	MG RESISTOR	0Ω 1/16W J		R365	NRSA63D-911X	MG RESISTOR	910Ω 1/16W D	
R123	NRSA63J-0R0X	MG RESISTOR	0Ω 1/16W J		R366	NRSA63D-202X	MG RESISTOR	2kΩ 1/16W D	
R124	NRSA63J-0R0X	MG RESISTOR	0Ω 1/16W J		R368	NRSA63D-203X	MG RESISTOR	20kΩ 1/16W D	
R125	NRS125J-1R0X	MG RESISTOR	1Ω 1/2W J		R370	NRSA6AD-103W	MG RESISTOR	10kΩ 1/16W D	
R126	NRSA02J-0R0X	MG RESISTOR	0Ω 1/10W J		R372	NRSA6AD-331W	MG RESISTOR	330Ω 1/16W D	
R129	NRSA6AD-104W	MG RESISTOR	100kΩ 1/16W D		R373	NRSA6AD-331W	MG RESISTOR	330Ω 1/16W D	
R201	NRS125J-1R0X	MG RESISTOR	1Ω 1/2W J		R378	NRSA6AD-101W	MG RESISTOR	100Ω 1/16W D	
R202	NRSA6AD-473W	MG RESISTOR	47kΩ 1/16W D		R379	NRSA6AD-101W	MG RESISTOR	100Ω 1/16W D	
R203	NRSA6AD-303W	MG RESISTOR	30kΩ 1/16W D		R380	NRSA6AD-102W	MG RESISTOR	1kΩ 1/16W D	
R204	NRSA6AD-273W	MG RESISTOR	27kΩ 1/16W D		R381	NRSA6AD-473W	MG RESISTOR	47kΩ 1/16W D	
R205	NRSA6AD-273W	MG RESISTOR	27kΩ 1/16W D		R382	NRSA6AD-123W	MG RESISTOR	12kΩ 1/16W D	
R206	NRSA63J-0R0X	MG RESISTOR	0Ω 1/16W J		R383	NRSA63J-105X	MG RESISTOR	1MΩ 1/16W J	
R207	NRSA63J-0R0X	MG RESISTOR	0Ω 1/16W J		R384	NRSA6AD-102W	MG RESISTOR	1kΩ 1/16W D	
R208	NRSA6AD-203W	MG RESISTOR	20kΩ 1/16W D		R385	NRSA6AD-102W	MG RESISTOR	1kΩ 1/16W D	
R209	NRSA6AD-223W	MG RESISTOR	22kΩ 1/16W D		R391	NRSA6AD-103W	MG RESISTOR	10kΩ 1/16W D	
R211	NRSA63J-0R0X	MG RESISTOR	0Ω 1/16W J		R392	NRSA6AD-473W	MG RESISTOR	47kΩ 1/16W D	
R219	NRSA6AD-153W	MG RESISTOR	15kΩ 1/16W D		R393	NRSA6AD-473W	MG RESISTOR	47kΩ 1/16W D	
R220	NRSA6AD-183W	MG RESISTOR	18kΩ 1/16W D		R394	NRSA6AD-473W	MG RESISTOR	47kΩ 1/16W D	
R221	NRSA6AD-103W	MG RESISTOR	10kΩ 1/16W D		R396	NRSA6AD-473W	MG RESISTOR	47kΩ 1/16W D	
R222	NRSA6AD-103W	MG RESISTOR	10kΩ 1/16W D		R399	NRSA63J-0R0X	MG RESISTOR	0Ω 1/16W J	
R223	NRSA63J-0R0X	MG RESISTOR	0Ω 1/16W J		R403	NRSA63J-0R0X	MG RESISTOR	0Ω 1/16W J	
R224	NRSA6AD-103W	MG RESISTOR	10kΩ 1/16W D		R405	NRSA63J-0R0X	MG RESISTOR	0Ω 1/16W J	
R231	NRSA6AD-272W	MG RESISTOR	2.7kΩ 1/16W D		R481	NRSA6AD-103W	MG RESISTOR	10kΩ 1/16W D	
R232	NRSA6AD-153W	MG RESISTOR	15kΩ 1/16W D		R491	NRSA63D-472X	MG RESISTOR	4.7kΩ 1/16W D	
R233	NRSA63J-0R0X	MG RESISTOR	0Ω 1/16W J		R492	NRSA63J-0R0X	MG RESISTOR	0Ω 1/16W J	
R234	NRSA6AD-394W	MG RESISTOR	390kΩ 1/16W D		R618	NRSA63J-181X	MG RESISTOR	180Ω 1/16W J	
R235	NRSA6AD-682W	MG RESISTOR	6.8kΩ 1/16W D		R619	NRSA63J-181X	MG RESISTOR	180Ω 1/16W J	
R246	NRSA6AD-220W	MG RESISTOR	22Ω 1/16W D		R620	NRSA63J-181X	MG RESISTOR	180Ω 1/16W J	
R251	NRS125J-R47X	MG RESISTOR	0.47Ω 1/2W J		L303	NQL044K-100X	COIL	0.26Ω 10uH K	
R252	NRSA6AD-103W	MG RESISTOR	10kΩ 1/16W D		L305	NQR0129-002X	FERRITE BEADS		
R253	NRSA63J-0R0X	MG RESISTOR	0Ω 1/16W J		L306	NQR0129-002X	FERRITE BEADS		
R254	NRSA6AD-103W	MG RESISTOR	10kΩ 1/16W D		L307	NQR0129-002X	FERRITE BEADS		
R255	NRSA6AD-203W	MG RESISTOR	20kΩ 1/16W D		L451	NQL044K-100X	COIL	0.26Ω 10uH K	
R256	NRSA6AD-470W	MG RESISTOR	47Ω 1/16W D		CN101	QGF0501F8-30X	CONNECTOR	FFC/FPC (1-30)	
R257	NRSA63J-0R0X	MG RESISTOR	0Ω 1/16W J		CN201	QGF1038F2-11X	CONNECTOR	FFC/FPC (1-11)	
R258	NRSA6AD-103W	MG RESISTOR	10kΩ 1/16W D		CN202	QGF0523F2-05W	CONNECTOR	FFC/FPC (1-5)	
R259	NRSA6AD-103W	MG RESISTOR	10kΩ 1/16W D		CN401	QGF0534F3-60X	CONNECTOR	FFC/FPC (1-60)	
R260	NRSA6AD-470W	MG RESISTOR	47Ω 1/16W D		CN402	QGF0522F3-06W	CONNECTOR	FFC/FPC (1-6)	
R300	NRSA63J-0R0X	MG RESISTOR	0Ω 1/16W J		CN404	QGF0534F3-14X	CONNECTOR	FFC/FPC (1-14)	
R301	NRSA63J-0R0X	MG RESISTOR	0Ω 1/16W J		K101	NQR0007-002X	FERRITE BEADS		
R303	NRSA6AD-270W	MG RESISTOR	27Ω 1/16W D		K102	NQR0007-002X	FERRITE BEADS		
R304	NRSA6AD-103W	MG RESISTOR	10kΩ 1/16W D		K301	NQR0502-001X	FERRITE BEADS		
R305	NRSA6AD-473W	MG RESISTOR	47kΩ 1/16W D		K302	NQR0502-001X	FERRITE BEADS		
R306	NRSA6AD-102W	MG RESISTOR	1kΩ 1/16W D		K303	NQR0022-002X	FERRITE BEADS		
R307	NRSA6AD-102W	MG RESISTOR	1kΩ 1/16W D		K304	NRSA63J-0R0X	MG RESISTOR	0Ω 1/16W J	
R308	NRSA6AD-223W	MG RESISTOR	22kΩ 1/16W D		K305	NRSA63J-0R0X	MG RESISTOR	0Ω 1/16W J	
R309	NRSA6AD-104W	MG RESISTOR	100kΩ 1/16W D		K306	NQR0502-001X	FERRITE BEADS		
R312	NRSA63J-0R0X	MG RESISTOR	0Ω 1/16W J		K311	NQR0129-002X	FERRITE BEADS		
R313	NRSA63J-0R0X	MG RESISTOR	0Ω 1/16W J		K312	NQR0129-002X	FERRITE BEADS		
R314	NRSA63J-0R0X	MG RESISTOR	0Ω 1/16W J		K399	NQR0502-001X	FERRITE BEADS		
R315	NRSA63J-0R0X	MG RESISTOR	0Ω 1/16W J		K401	NQR0022-005X	FERRITE BEADS		
R316	NRSA63J-0R0X	MG RESISTOR	0Ω 1/16W J		K402	NQR0022-005X	FERRITE BEADS		
R318	NRSA63D-332X	MG RESISTOR	3.3kΩ 1/16W D		K404	NQR0022-005X	FERRITE BEADS		
R319	NRSA6AD-223W	MG RESISTOR	22kΩ 1/16W D		K405	NQR0022-005X	FERRITE BEADS		
R320	NRSA6AD-101W	MG RESISTOR	100Ω 1/16W D		K406	NQR0022-005X	FERRITE BEADS		
R323	NRSA63J-0R0X	MG RESISTOR	0Ω 1/16W J		K407	NQR0022-005X	FERRITE BEADS		
R326	NRSA63J-0R0X	MG RESISTOR	0Ω 1/16W J		K421	NQR0022-005X	FERRITE BEADS		
R327	NRSA63J-0R0X	MG RESISTOR	0Ω 1/16W J		K422	NQR0022-005X	FERRITE BEADS		
R328	NRSA63J-0R0X	MG RESISTOR	0Ω 1/16W J		K423	NQR0022-005X	FERRITE BEADS		
R329	NRSA63J-0R0X	MG RESISTOR	0Ω 1/16W J		K424	NQR0022-005X	FERRITE BEADS		
R332	NRSA6AD-102W	MG RESISTOR	1kΩ 1/16W D		K425	NQL093K-1R8X	COIL	1.8uH K	
R333	NRSA63D-162X	MG RESISTOR	1.6kΩ 1/16W D		K426	NRSA63J-0R0X	MG RESISTOR	0Ω 1/16W J	
R334	NRSA63J-0R0X	MG RESISTOR	0Ω 1/16W J		K427	NRSA63J-0R0X	MG RESISTOR	0Ω 1/16W J	
R335	NRSA63J-0R0X	MG RESISTOR	0Ω 1/16W J		K428	NRSA63J-0R0X	MG RESISTOR	0Ω 1/16W J	
R336	NRSA63J-0R0X	MG RESISTOR	0Ω 1/16W J		K429	NQR0022-005X	FERRITE BEADS		
R337	NRSA63J-0R0X	MG RESISTOR	0Ω 1/16W J		K430	NRSA63J-101X	MG RESISTOR	100Ω 1/16W J	
R340	NRSA63D-303X	MG RESISTOR	30kΩ 1/16W D		K431	NRSA63J-101X	MG RESISTOR	100Ω 1/16W J	
R346	NRSA6AD-473W	MG RESISTOR	47kΩ 1/16W D		K433	NRSA63J-181X	MG RESISTOR	180Ω 1/16W J	
R347	NRSA6AD-473W	MG RESISTOR	47kΩ 1/16W D		K435	NQR0022-005X	FERRITE BEADS		
R348	NRSA6AD-473W	MG RESISTOR	47kΩ 1/16W D		K441	NQR0022-005X	FERRITE BEADS		
R349	NRSA6AD-473W	MG RESISTOR	47kΩ 1/16W D		K451	NQR0022-005X	FERRITE BEADS		
R351	NRSA6AD-221W	MG RESISTOR	220Ω 1/16W D		K452	NQR0022-005X	FERRITE BEADS		
R352	NRSA63J-105X	MG RESISTOR	1MΩ 1/16W J		K461	NQR0022-005X	FERRITE BEADS		
R353	NRSA6AD-101W	MG RESISTOR	100Ω 1/16W D						
R354	NRSA6AD-101W	MG RESISTOR	100Ω 1/16W D						

Symbol No.	Part No.	Part Name	Description	Local
K462	NQR0022-005X	FERRITE BEADS		
K601	NQR0022-005X	FERRITE BEADS		
K631	NQR0502-001X	FERRITE BEADS		
SW4	NSW0184-001X	DETECT SW		
SW5	NSW0183-001X	DETECT SW		
TH491	NAD0025-103X	N THERMISTOR	10k Ω	
X351	NAX0741-001X	CRYSTAL	27.000MHz	
X354	NAX0376-002X	CRYSTAL		

Packing materials and accessories parts list

Block No. M 3 M M

No additional / supplemental order of WARRANTY CARDS are available



Packing and Accessories

Block No. [M][3][M][M]

△	Symbol No.	Part No.	Part Name	Description	Local
	A 1	LVT1665-001A	INST BOOK	ENG FRE SPA	J
	A 1	LVT1666-001A	INST BOOK	ENG GER FOR DUT	E
	A 1	LVT1666-003B	INST BOOK	ENG FRE SPA	EU
	A 1	LVT1666-005A	INST BOOK	ENG RUS UKR	EE
	A 1	LVT1667-002A	INST BOOK	ENG CHI(TAIWAN) THA	U
	A 1	LVT1667-004A	INST BOOK	ENG INA	UN
	A 1	LVT1667-001A	INST BOOK	ENG	A
	A 2	LVT1666-002A	INST BOOK	SPA ITA SWE POR	E
	A 2	LVT1666-004B	INST BOOK	TUR PER	EU
	A 2	LVT1667-003A	INST BOOK	ARA KOR PER	U
	A 3	LVT1665-002A	INSTALL MANUAL	ENG FRE SPA	J
	A 3	LVT1666-006A	INSTALL MANUAL	ENG GER FOR	E
	A 3	LVT1666-008A	INSTALL MANUAL	ENG FRE SPA	EU
	A 3	LVT1666-010A	INSTALL MANUAL	ENG RUS UKR	EE
	A 3	LVT1667-006A	INSTALL MANUAL	ENG CHI(TAIWAN) THA	U
	A 3	LVT1667-008A	INSTALL MANUAL	ENG INA	UN
	A 3	LVT1667-005A	INSTALL MANUAL	ENG	A
	A 4	LVT1672-001A	INST SHEET	SPA ITA SWE POR	
	A 5	LVT1666-007A	INSTALL MANUAL	SPA ITA SWE POR	E
	A 5	LVT1666-009A	INSTALL MANUAL	ENG FRE SPA	EU
	A 5	LVT1667-007A	INSTALL MANUAL	ARA KOR PER	U
	A 6	-----	WARRANTY CARD	BT-51018-5	J
	A 6	-----	WARRANTY CARD	BT-54031-1	E,EU,EE
	A 7	VND3050-002	IDENTITY CARD		E
	A 8	VND3046-001	SERIAL TICKET		E,EU,EE
	A 9	QYSDSP5008ZA	SCREW	M5 x 8mm(x8)	
	A10	QYSSSP5008ZA	SCREW	M5 x 8mm(x8)	
	A11	LV41478-001A	CORD CONNECTER	(x2)	
	A12	RM-RK251	REMOCON		
	A13	-----	BATTERY	(x2)	
△	A14	QAM1005-002	CAR CABLE		J
△	A14	QAM1005-003	CAR CABLE		E,EU,EE
△	A14	QAM1005-004	CAR CABLE		U,UN,A
	A15	LV22463-002A	TRIM PLATE		J,E,EU,EE
	A15	LV22464-001A	TRIM PLATE(NIS)		U,UN,A
	A16	LV44661-003A	CAUTION SHEET		J,E,EU,EE
	A16	LV44661-004A	CAUTION SHEET		U,UN,A
	A17	BT-51041-1	REGIS. CARD	BT-51041-1	J
	A18	-----	WARRANTY CARD	BT-52006-2	J
	A19	LVT1749-001A	ERRATA SHEET		EE
	KIT	SRW-AVX800E	SCREW PARTS KIT	A9 A10 A11	
	P 1	LV37482-002A	CARTON		J
	P 1	LV37483-001A	CARTON		E
	P 1	LV37485-001A	CARTON		EU,EE
	P 1	LV37486-001A	CARTON		U,UN,A
	P 2	QPC03504015P	POLY BAG	35cm x 40cm	
	P 3	FSPG4002-001	POLY BAG		J,EE,UN,A
	P 3	FSPG4002-001	POLY BAG	(x2)	E,EU,U
	P 4	QPA00801205	POLY BAG	8cm x 12cm	
	P 5	FSPG4002-001	POLY BAG		
	P 6	LV11394-002A	CUSHION TOP(E)		J,E,EU,EE
	P 6	LV11396-003A	CUSHION TOP		U,UN,A
	P 7	LV11395-002A	CUSHION BOT(E)		J,E,EU,EE
	P 7	LV11397-002A	CUSHION BOTTOM		U,UN,A

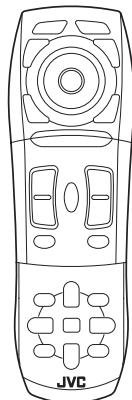
JVC

SCHEMATIC DIAGRAMS

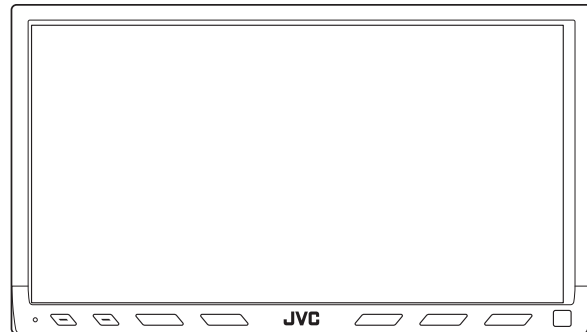
DVD RECEIVER WITH MONITOR

KW-AVX800J, KW-AVX800E, KW-AVX800EU
KW-AVX800EE, KW-AVX800U, KW-AVX800UN
KW-AVX800A

CD-ROM No.SML200705



EXAD



Lead free solder used in the board (material : Sn-Ag-Cu, melting point : 219 Centigrade)

Lead free solder used in the board (material : Sn-Cu, melting point : 230 Centigrade)

Contents

Block diagram	2-1
Standard schematic diagrams	2-2
Printed circuit boards	2-8 to 11

Safety precaution

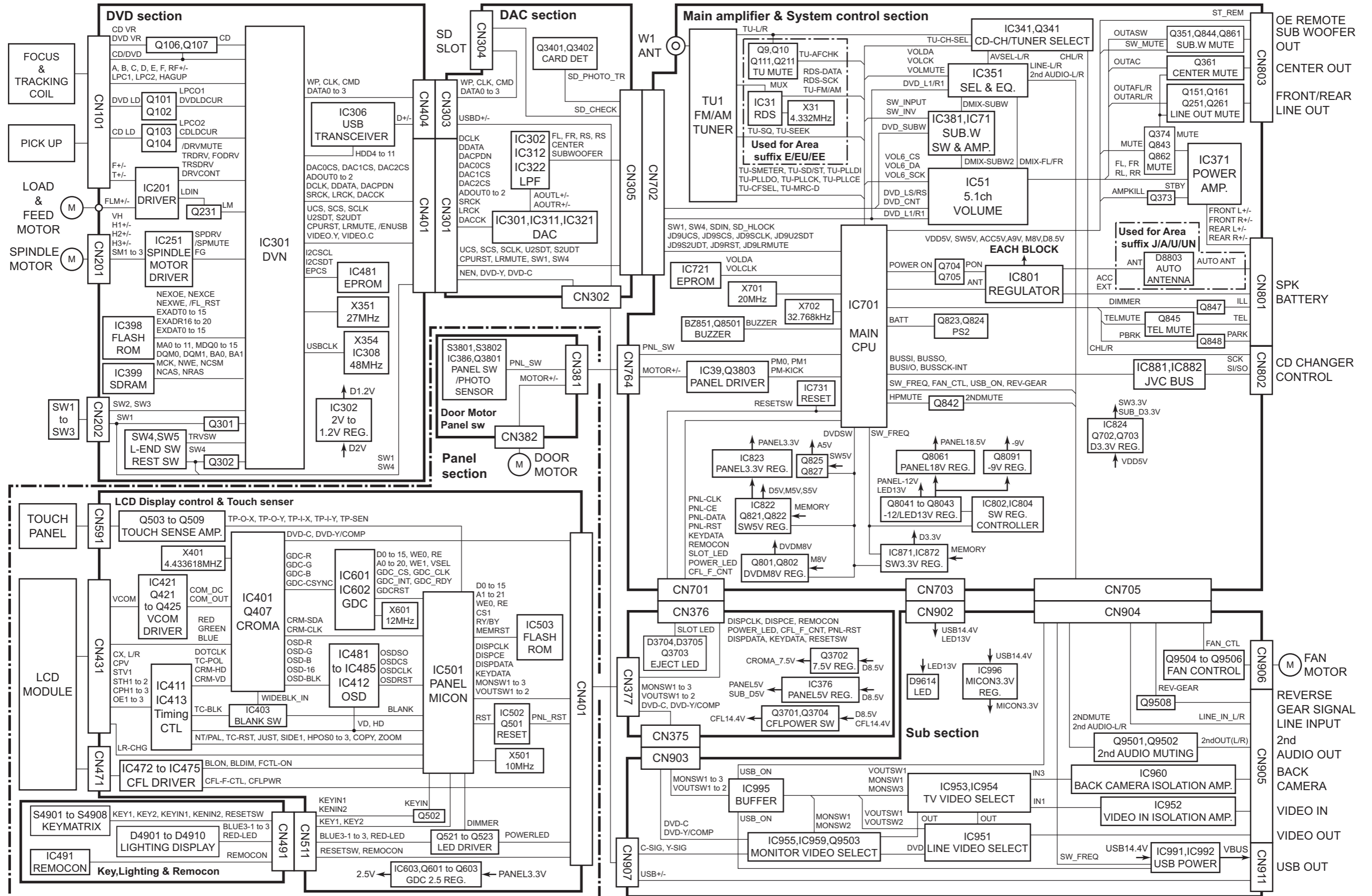


CAUTION Burrs formed during molding may be left over on some parts of the chassis. Therefore, pay attention to such burrs in the case of performing repair of this system.



CAUTION Please use enough caution not to see the beam directly or touch it in case of an adjustment or operation check.

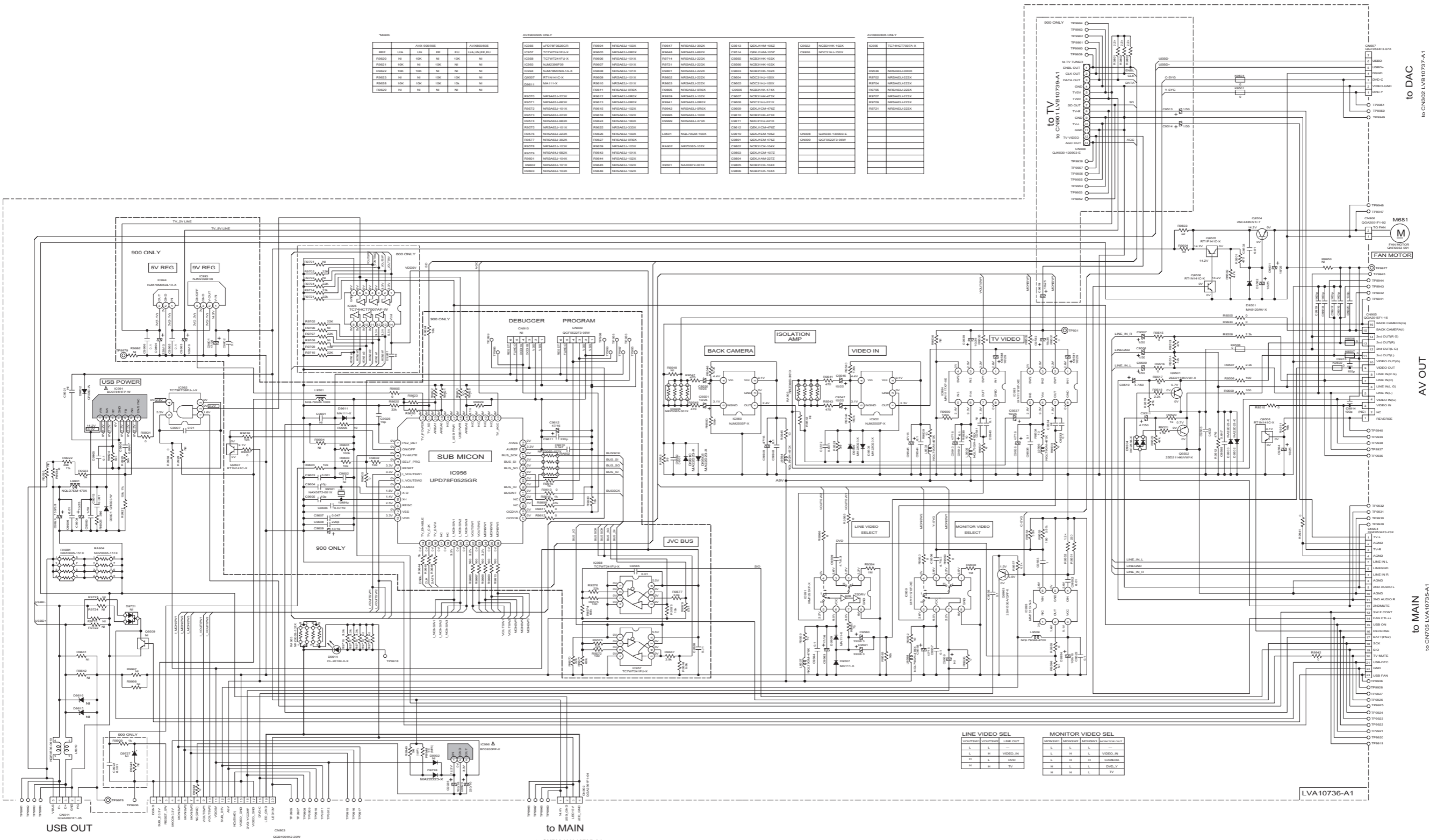
Block diagram



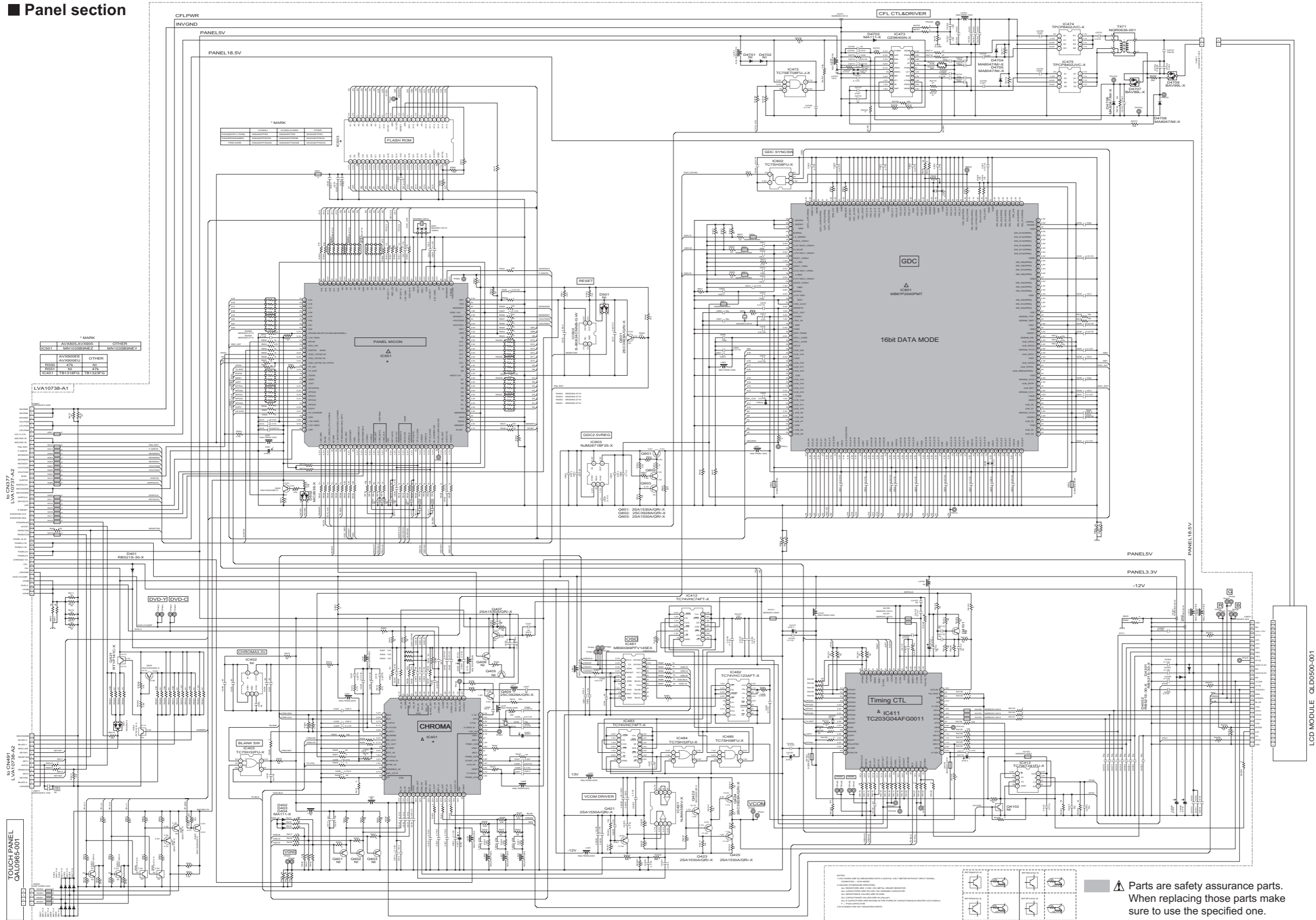
Sub section

MARK					AVX8000S					AVX8000S								
REF	UA	UN	EE	EU	UA,UN,EE,EU	REF	UA	UN	EE	EU	UA,UN,EE,EU	REF	UA	UN	EE	EU	UA,UN,EE,EU	
R9020	NI	10K	NI	10K	NI	R9020	NI	10K	NI	10K	NI	R9020	NI	10K	NI	10K	NI	NI
R9021	10K	NI	10K	NI	NI	R9021	10K	NI	10K	NI	NI	R9021	10K	NI	10K	NI	NI	NI
R9022	10K	NI	10K	NI	NI	R9022	10K	NI	10K	NI	NI	R9022	10K	NI	10K	NI	NI	NI
R9023	NI	NI	10K	10K	NI	R9023	NI	NI	10K	10K	NI	R9023	NI	NI	10K	10K	NI	NI
R9024	10K	NI	10K	10K	NI	R9024	10K	NI	10K	10K	NI	R9024	10K	NI	10K	10K	NI	NI
R9025	NI	NI	NI	NI	NI	R9025	NI	NI	NI	NI	NI	R9025	NI	NI	NI	NI	NI	NI

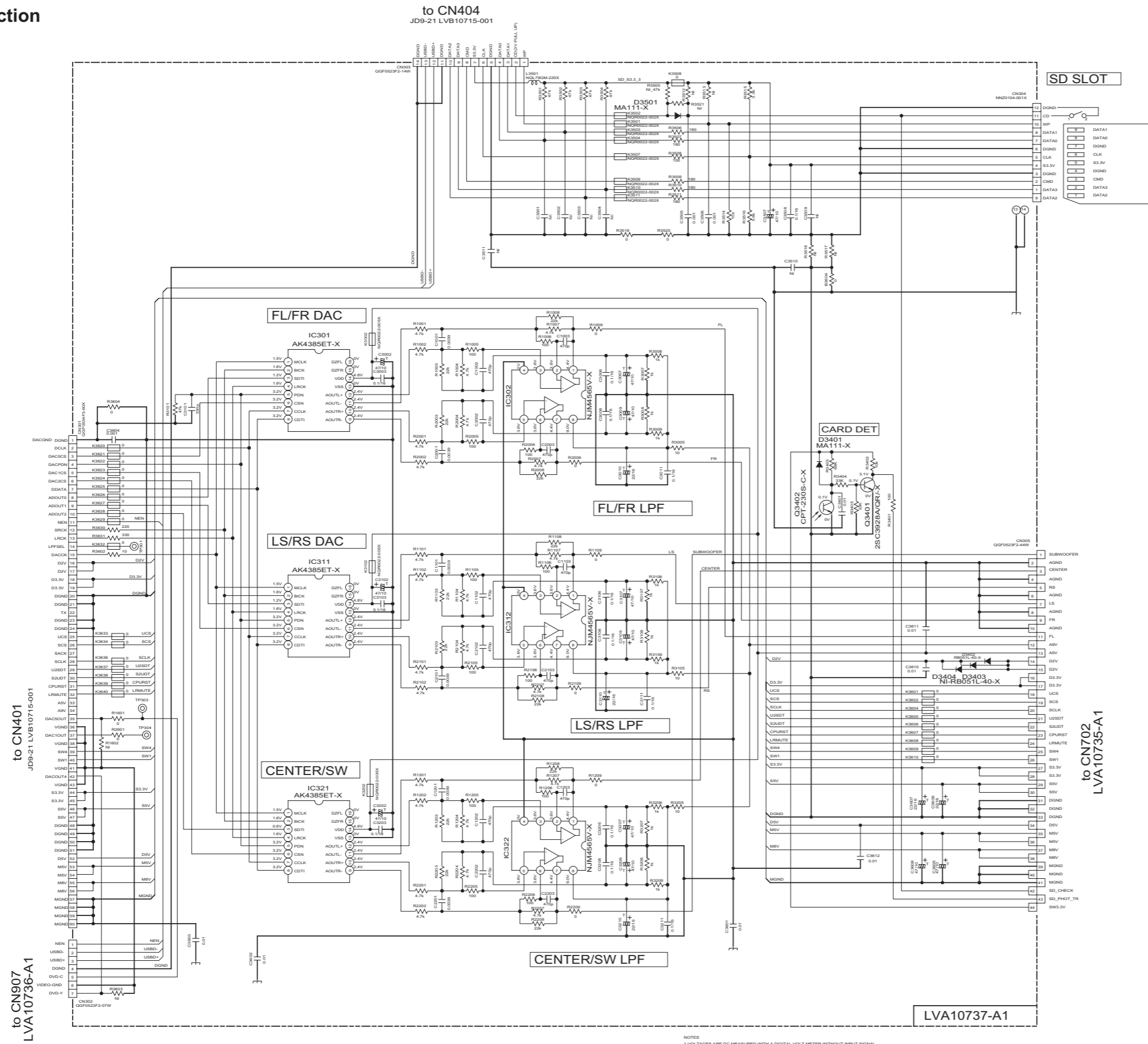
AVX8000S ONLY					AVX8000S ONLY					AVX8000S ONLY					AVX8000S ONLY																																																																																																																																																																																																																																																																																																																																																																																																																																																																																																																																																																																																																																				
C036	JPD79F025GR	R9064	MSA63J-102K	R9067	MSA63J-102K	R9070	MSA63J-102K	R9073	MSA63J-102K	R9076	MSA63J-102K	R9079	MSA63J-102K	R9082	MSA63J-102K	R9085	MSA63J-102K	R9088	MSA63J-102K	R9091	MSA63J-102K	R9094	MSA63J-102K	R9097	MSA63J-102K	R9100	MSA63J-102K	R9103	MSA63J-102K	R9106	MSA63J-102K	R9109	MSA63J-102K	R9112	MSA63J-102K	R9115	MSA63J-102K	R9118	MSA63J-102K	R9121	MSA63J-102K	R9124	MSA63J-102K	R9127	MSA63J-102K	R9130	MSA63J-102K	R9133	MSA63J-102K	R9136	MSA63J-102K	R9139	MSA63J-102K	R9142	MSA63J-102K	R9145	MSA63J-102K	R9148	MSA63J-102K	R9151	MSA63J-102K	R9154	MSA63J-102K	R9157	MSA63J-102K	R9160	MSA63J-102K	R9163	MSA63J-102K	R9166	MSA63J-102K	R9169	MSA63J-102K	R9172	MSA63J-102K	R9175	MSA63J-102K	R9178	MSA63J-102K	R9181	MSA63J-102K	R9184	MSA63J-102K	R9187	MSA63J-102K	R9190	MSA63J-102K	R9193	MSA63J-102K	R9196	MSA63J-102K	R9199	MSA63J-102K	R9202	MSA63J-102K	R9205	MSA63J-102K	R9208	MSA63J-102K	R9211	MSA63J-102K	R9214	MSA63J-102K	R9217	MSA63J-102K	R9220	MSA63J-102K	R9223	MSA63J-102K	R9226	MSA63J-102K	R9229	MSA63J-102K	R9232	MSA63J-102K	R9235	MSA63J-102K	R9238	MSA63J-102K	R9241	MSA63J-102K	R9244	MSA63J-102K	R9247	MSA63J-102K	R9250	MSA63J-102K	R9253	MSA63J-102K	R9256	MSA63J-102K	R9259	MSA63J-102K	R9262	MSA63J-102K	R9265	MSA63J-102K	R9268	MSA63J-102K	R9271	MSA63J-102K	R9274	MSA63J-102K	R9277	MSA63J-102K	R9280	MSA63J-102K	R9283	MSA63J-102K	R9286	MSA63J-102K	R9289	MSA63J-102K	R9292	MSA63J-102K	R9295	MSA63J-102K	R9298	MSA63J-102K	R9301	MSA63J-102K	R9304	MSA63J-102K	R9307	MSA63J-102K	R9310	MSA63J-102K	R9313	MSA63J-102K	R9316	MSA63J-102K	R9319	MSA63J-102K	R9322	MSA63J-102K	R9325	MSA63J-102K	R9328	MSA63J-102K	R9331	MSA63J-102K	R9334	MSA63J-102K	R9337	MSA63J-102K	R9340	MSA63J-102K	R9343	MSA63J-102K	R9346	MSA63J-102K	R9349	MSA63J-102K	R9352	MSA63J-102K	R9355	MSA63J-102K	R9358	MSA63J-102K	R9361	MSA63J-102K	R9364	MSA63J-102K	R9367	MSA63J-102K	R9370	MSA63J-102K	R9373	MSA63J-102K	R9376	MSA63J-102K	R9379	MSA63J-102K	R9382	MSA63J-102K	R9385	MSA63J-102K	R9388	MSA63J-102K	R9391	MSA63J-102K	R9394	MSA63J-102K	R9397	MSA63J-102K	R9400	MSA63J-102K	R9403	MSA63J-102K	R9406	MSA63J-102K	R9409	MSA63J-102K	R9412	MSA63J-102K	R9415	MSA63J-102K	R9418	MSA63J-102K	R9421	MSA63J-102K	R9424	MSA63J-102K	R9427	MSA63J-102K	R9430	MSA63J-102K	R9433	MSA63J-102K	R9436	MSA63J-102K	R9439	MSA63J-102K	R9442	MSA63J-102K	R9445	MSA63J-102K	R9448	MSA63J-102K	R9451	MSA63J-102K	R9454	MSA63J-102K	R9457	MSA63J-102K	R9460	MSA63J-102K	R9463	MSA63J-102K	R9466	MSA63J-102K	R9469	MSA63J-102K	R9472	MSA63J-102K	R9475	MSA63J-102K	R9478	MSA63J-102K	R9481	MSA63J-102K	R9484	MSA63J-102K	R9487	MSA63J-102K	R9490	MSA63J-102K	R9493	MSA63J-102K	R9496	MSA63J-102K	R9499	MSA63J-102K	R9502	MSA63J-102K	R9505	MSA63J-102K	R9508	MSA63J-102K	R9511	MSA63J-102K	R9514	MSA63J-102K	R9517	MSA63J-102K	R9520	MSA63J-102K	R9523	MSA63J-102K	R9526	MSA63J-102K	R9529	MSA63J-102K	R9532	MSA63J-102K	R9535	MSA63J-102K	R9538	MSA63J-102K	R9541	MSA63J-102K	R9544	MSA63J-102K	R9547	MSA63J-102K	R9550	MSA63J-102K	R9553	MSA63J-102K	R9556	MSA63J-102K	R9559	MSA63J-102K	R9562	MSA63J-102K	R9565	MSA63J-102K	R9568	MSA63J-102K	R9571	MSA63J-102K	R9574	MSA63J-102K	R9577	MSA63J-102K	R9580	MSA63J-102K	R9583	MSA63J-102K	R9586	MSA63J-102K	R9589	MSA63J-102K	R9592	MSA63J-102K	R9595	MSA63J-102K	R9598	MSA63J-102K	R9601	MSA63J-102K	R9604	MSA63J-102K	R9607	MSA63J-102K	R9610	MSA63J-102K	R9613	MSA63J-102K	R9616	MSA63J-102K	R9619	MSA63J-102K	R9622	MSA63J-102K	R9625	MSA63J-102K	R9628	MSA63J-102K	R9631	MSA63J-102K	R9634	MSA63J-102K	R9637	MSA63J-102K	R9640	MSA63J-102K	R9643	MSA63J-102K	R9646	MSA63J-102K	R9649	MSA63J-102K	R9652	MSA63J-102K	R9655	MSA63J-102K	R9658	MSA63J-102K	R9661	MSA63J-102K	R9664	MSA63J-102K	R9667	MSA63J-102K	R9670	MSA63J-102K	R9673	MSA63J-102K	R9676	MSA63J-102K	R9679	MSA63J-102K	R9682	MSA63J-102K	R9685	MSA63J-102K	R9688	MSA63J-102K	R9691	MSA63J-102K	R9694	MSA63J-102K	R9697	MSA63J-102K	R9700	MSA63J-102K	R9703	MSA63J-102K	R9706	MSA63J-102K	R9709	MSA63J-102K	R9712	MSA63J-102K	R9715	MSA63J-102K	R9718	MSA63J-102K	R9721	MSA63J-102K	R9724	MSA63J-102K	R9727	MSA63J-102K	R9730	MSA63J-102K	R9733	MSA63J-102K	R9736	MSA63J-102K	R9739	MSA63J-102K	R9742	MSA63J-102K	R9745	MSA63J-102K	R9748	MSA63J-102K	R9751	MSA63J-102K	R9754	MSA63J-102K	R9757	MSA63J-102K	R9760	MSA63J-102K	R9763	MSA63J-102K	R9766	MSA63J-102K	R9769	MSA63J-102K	R9772	MSA63J-102K	R9775	MSA63J-102K	R9778	MSA63J-102K	R9781	MSA63J-102K	R9784	MSA63J-102K	R9787	MSA63J-102K	R9790	MSA63J-102K	R9793	MSA63J-102K	R9796	MSA63J-102K	R9799	MSA63J-102K	R9802	MSA63J-102K	R9805	MSA63J-102K	R9808	MSA63J-102K	R9811	MSA63J-102K	R9814	MSA63J-102K	R9817	MSA63J-102K	R9820	MSA63J-102K	R9823	MSA63J-102K	R9826	MSA63J-102K	R9829	MSA63J-102K	R9832	MSA63J-102K	R9835	MSA63J-102K	R9838	MSA63J-102K	R9841	MSA63J-102K	R9844	MSA63J-102K	R9847	MSA63J-102K	R9850	MSA63J-102K	R9853	MSA63J-102K	R9856	MSA63J-102K	R9859	MSA63J-102K	R9862	MSA63J-102K	R9865	MSA63J-102K	R9868	MSA63J-102K	R9871	MSA63J-102K	R9874	MSA63J-102K	R9877	MSA63J-102K	R9880	MSA63J-102K	R9883	MSA63J-102K	R9886	MSA63J-102K	R9889	MSA63J-102K	R9892	MSA63J-102K	R9895	MSA63J-102K	R9898	MSA63J-102K	R9901	MSA63J-102K	R9904	MSA63J-102K	R9907	MSA63J-102K	R9910	MSA63J-102K	R9913	MSA63J-102K	R9916	MSA63J-102K	R9919	MSA63J-102K	R9922	MSA63J-102K	R9925	MSA63J-102K	R9928	MSA63J-102K	R9931	MSA63J-102K	R9934	MSA63J-102K	R9937	MSA63J-102K	R9940	MSA63J-102K	R9943	MSA63J-102K	R9946	MSA63J-102K	R9949	MSA63J-102K	R9952	MSA63J-102K	R9955	MSA63J-102K	R9958	MSA63J-102K	R9961	MSA63J-102K	R9964	MSA63J-102K	R9967	MSA63J-102K	R9970	MSA63J-102K	R9973	MSA63J-102K	R9976	MSA63J-102K	R9979	MSA63J-102K	R9982	MSA63J-102K	R9985	MSA63J-102K	R9988	MSA63J-102K	R9991	MSA63J-102K	R9994	MSA63J-102K	R9997	MSA63J-102K	R1000	MSA63J-102K



■ Panel section

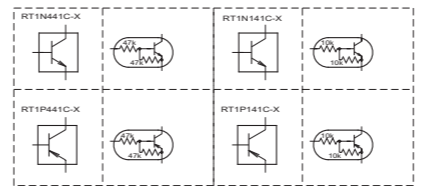
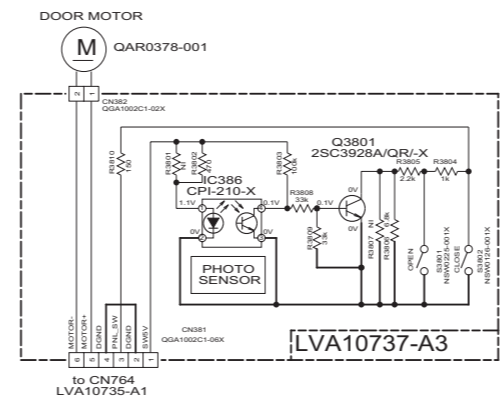
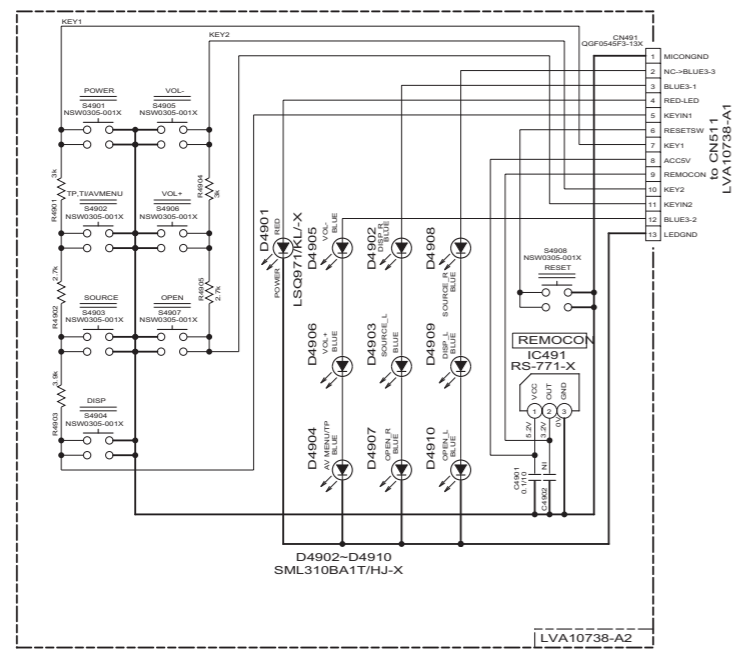
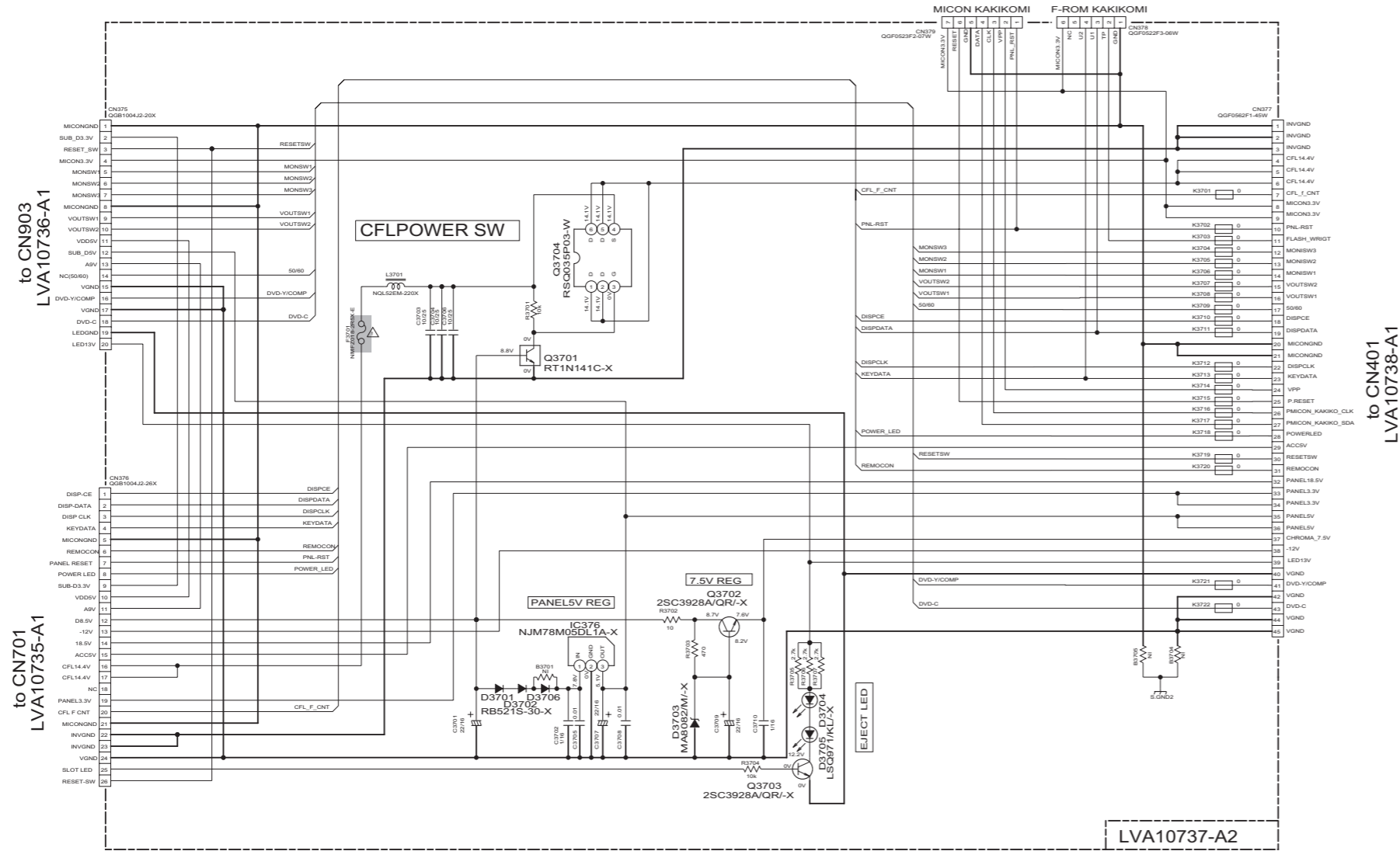


■ DAC section



NOTES
 1. VOLTAGES ARE DC-MEASURED WITH A DIGITAL VOLT METER WITHOUT INPUT SIGNAL.
 2. UNLESS OTHERWISE SPECIFIED, ALL RESISTORS ARE 1% METAL GLAZE RESISTOR.
 3. UNLESS OTHERWISE SPECIFIED, ALL CAPACITORS ARE 50V, 20% CERAMIC CAPACITOR.
 4. ALL RESISTANCE VALUES ARE IN OHMS.
 5. ALL CAPACITANCE VALUES ARE IN PICO (pF).
 6. ALL CAPACITORS ARE SHOWN IN THE FORM OF CAPACITANCE (UPRATED VOLTAGE).
 7. F — FILM CAPACITOR.
 3W STANDS FOR NOT MOUNTED PARTS.

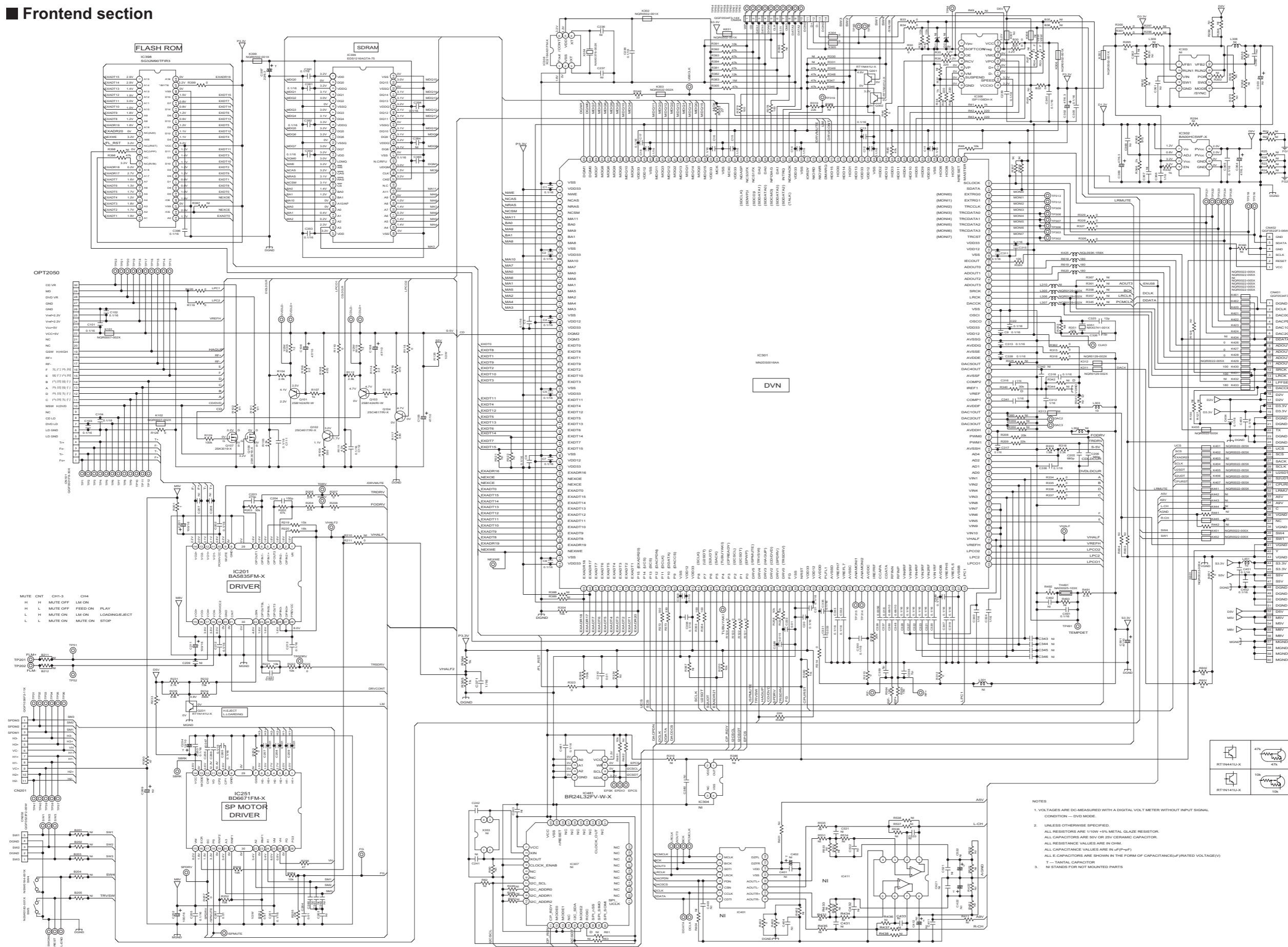
■ Door, Front, Key section



NOTES
 1. VOLTAGES ARE DC-MEASURED WITH A DIGITAL VOLT METER WITHOUT INPUT SIGNAL.
 CONDITION -- DVD MODE
 2. UNLESS OTHERWISE SPECIFIED.
 ALL RESISTORS ARE 1/10W ±5% METAL GLAZE RESISTOR.
 ALL CAPACITORS ARE 50V, 25V CERAMIC CAPACITOR.
 ALL RESISTANCE VALUES ARE IN OHM.
 ALL CAPACITANCE VALUES ARE IN nF(μF).
 ALL E-CAPACITORS ARE SHOWN IN THE FORM OF CAPACITANCE/(RATED VOLTAGE).
 F --- FILM CAPACITOR.
 3. N STANDS FOR NOT MOUNTED PARTS.

⚠ Parts are safety assurance parts.
 When replacing those parts make sure to use the specified one.

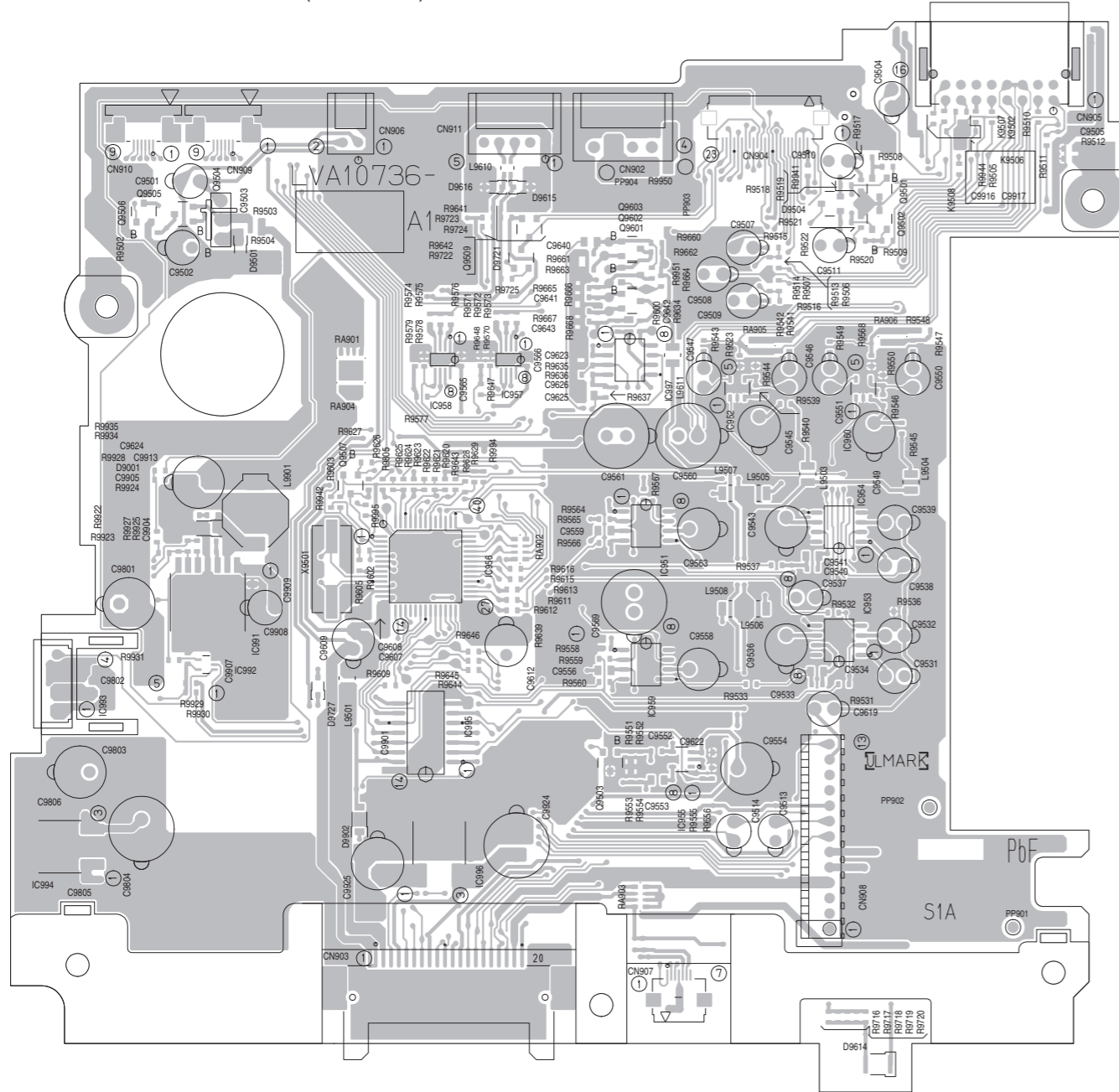
■ Frontend section



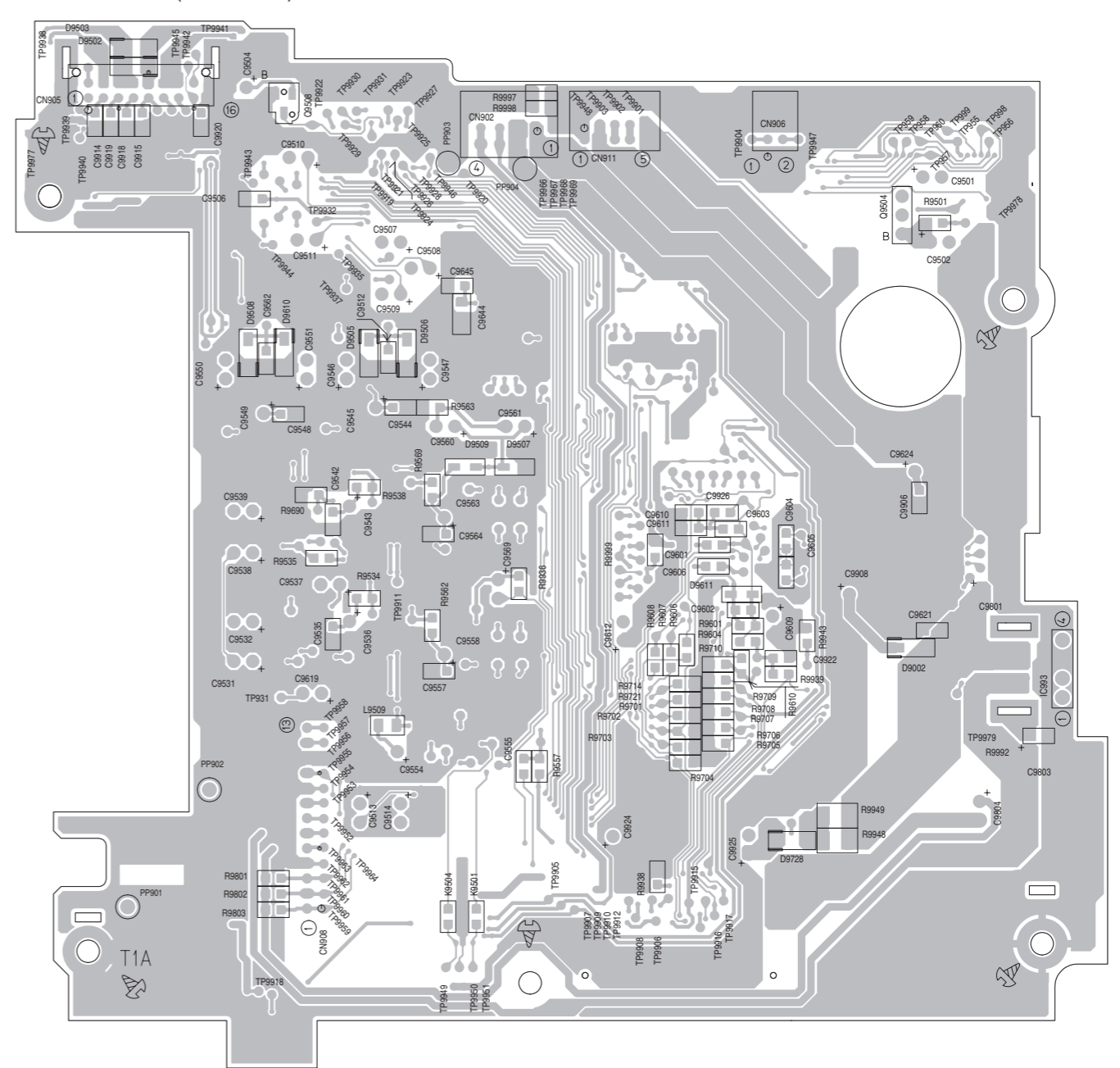
■ **Sub board** Lead free solder used in the board (material : Sn-Ag-Cu, melting point : 219 Centigrade)

Lead free solder used in the board (material : Sn-Cu, melting point : 230 Centigrade)

(forward side)



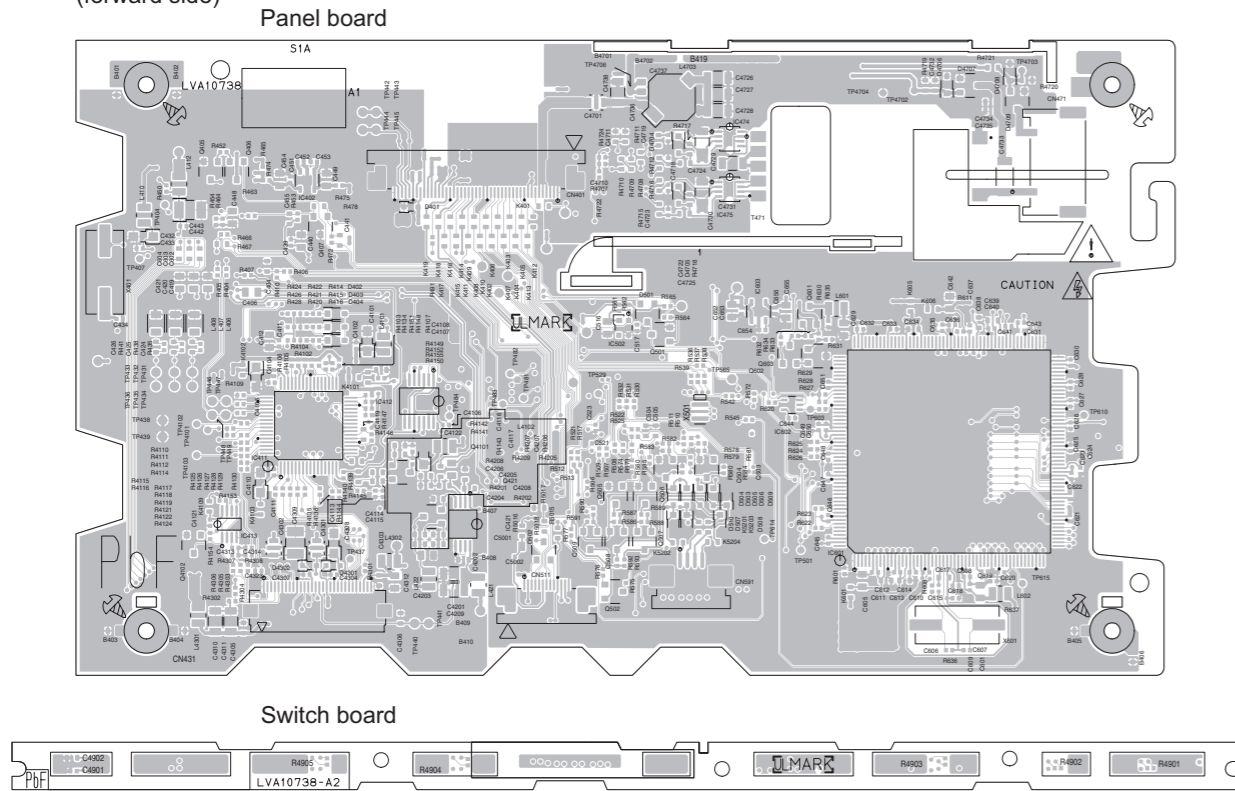
(reverse side)



■ **Panel board** Lead free solder used in the board (material : Sn-Ag-Cu, melting point : 219 Centigrade)

Lead free solder used in the board (material : Sn-Cu, melting point : 230 Centigrade)

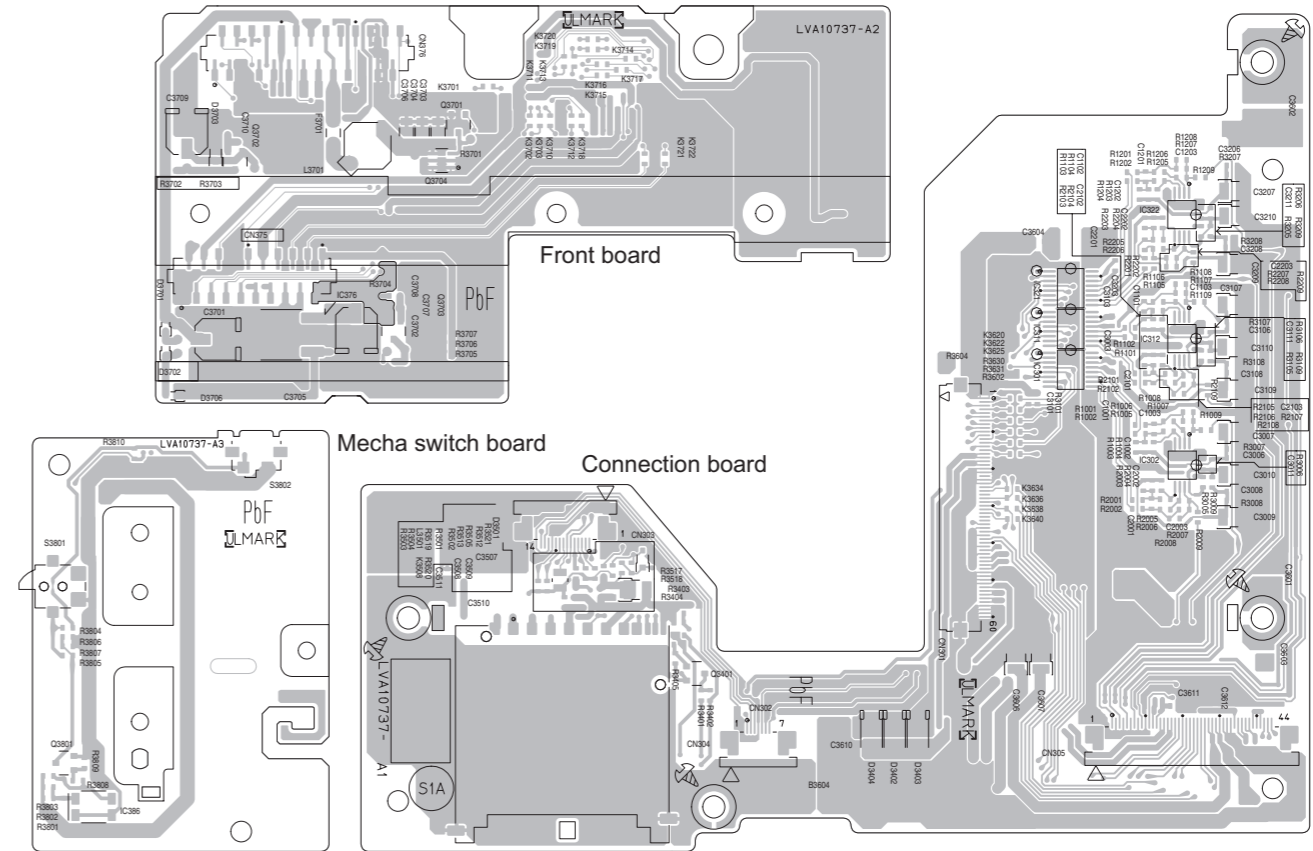
(forward side)



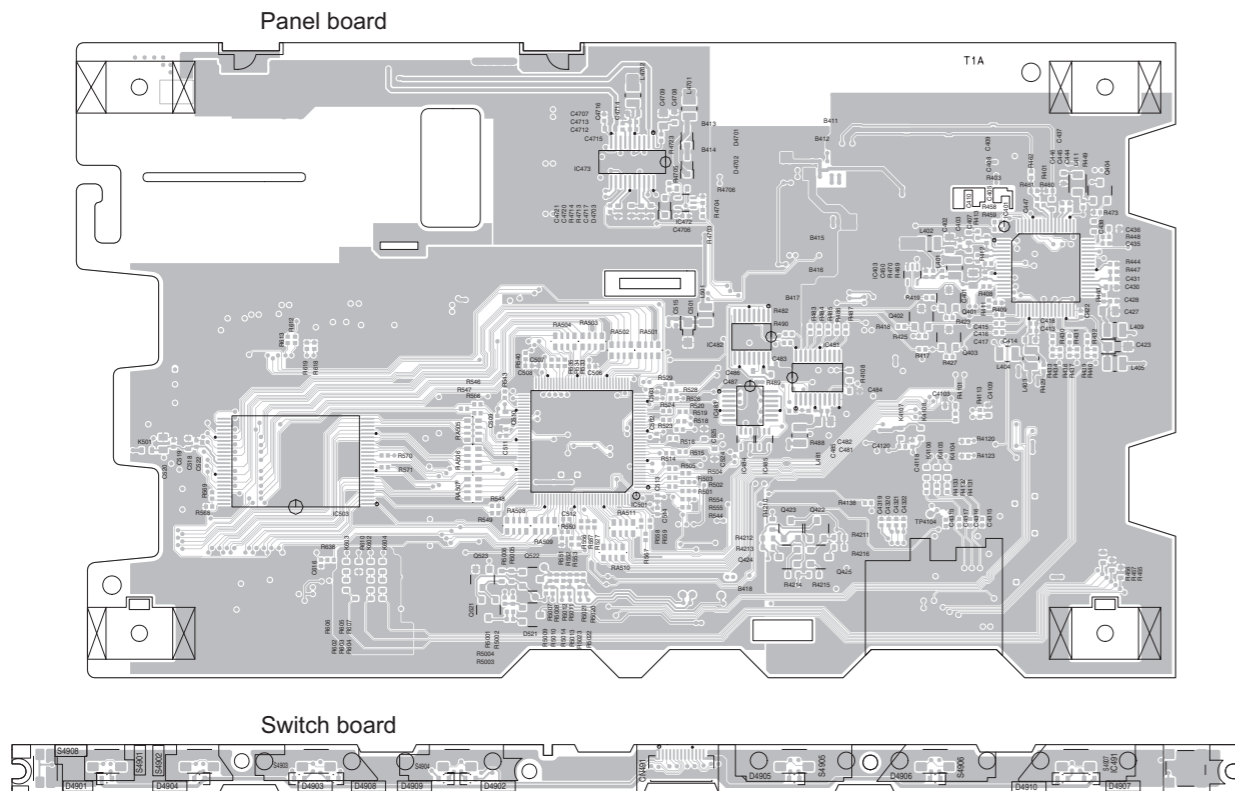
■ **Connection board** Lead free solder used in the board (material : Sn-Ag-Cu, melting point : 219 Centigrade)

Lead free solder used in the board (material : Sn-Cu, melting point : 230 Centigrade)

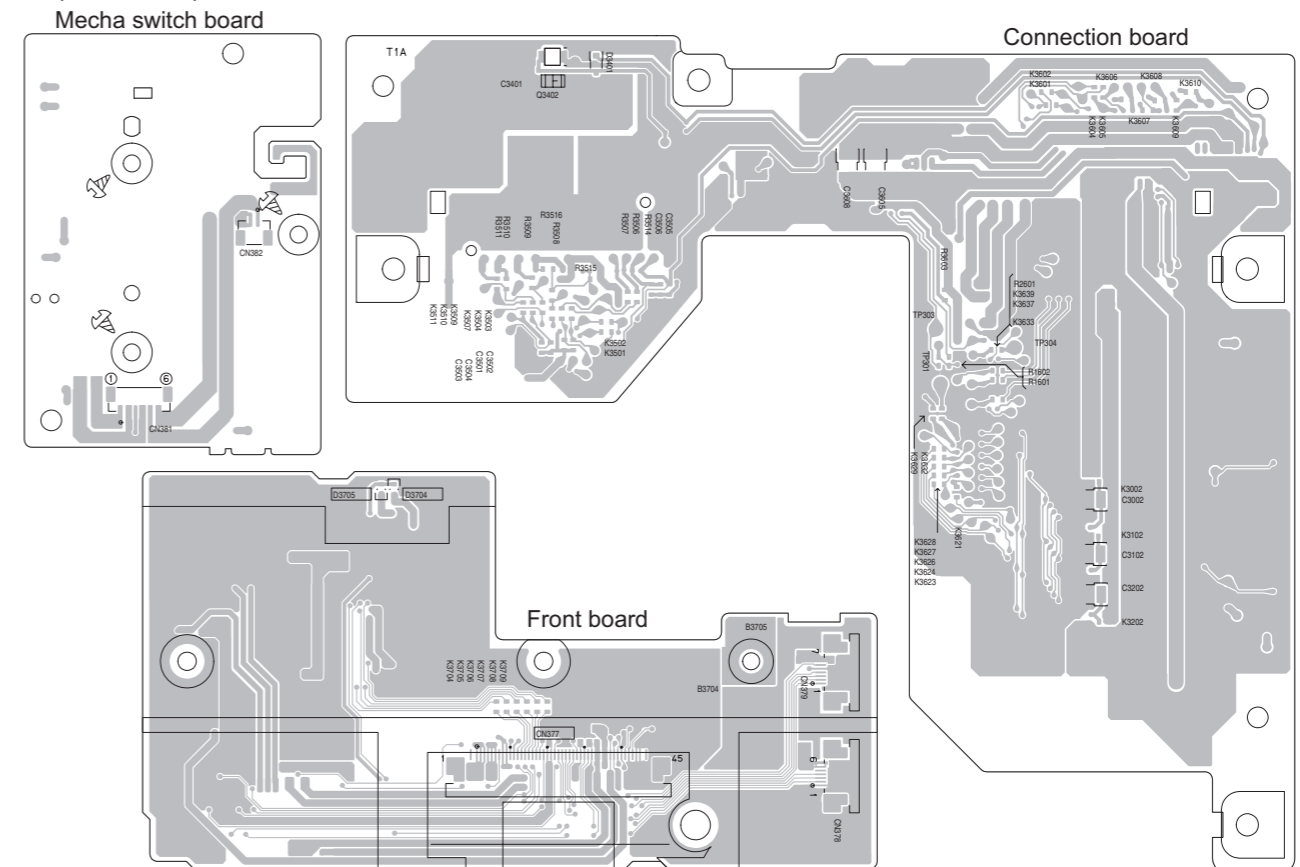
(forward side)



(reverse side)



(reverse side)

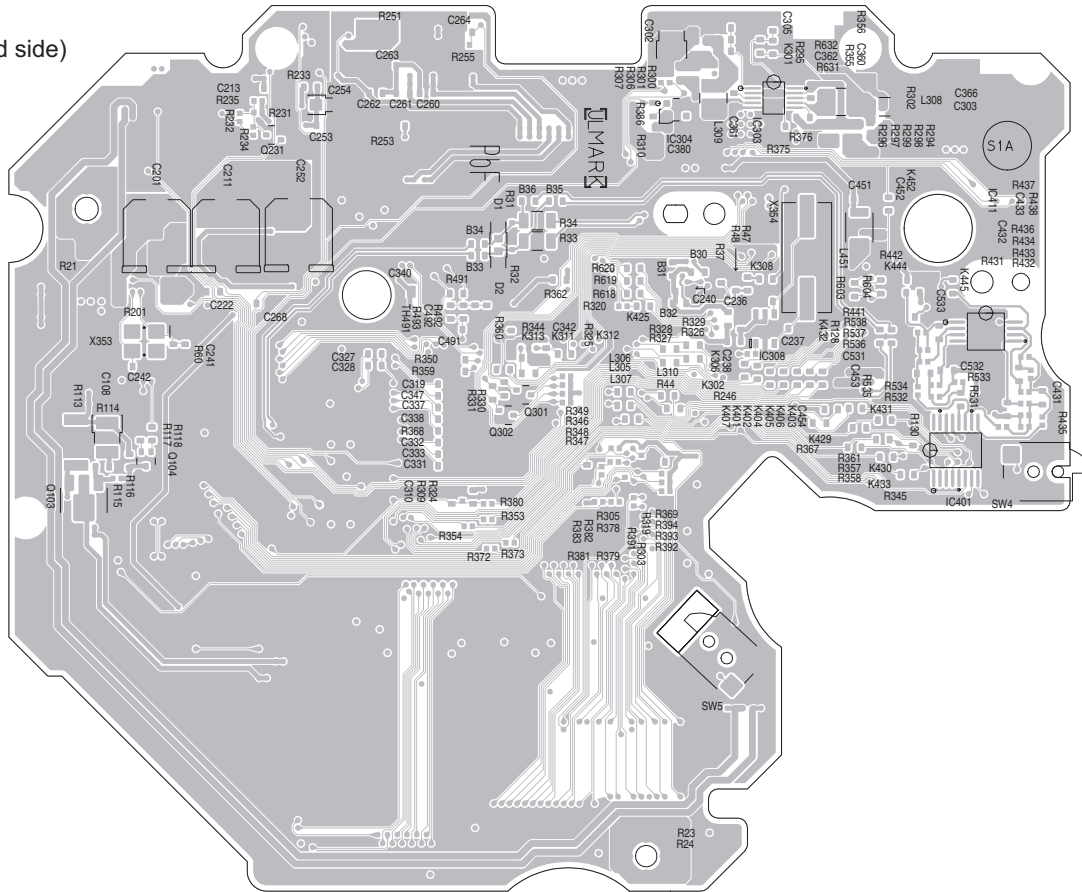


■ Front end board

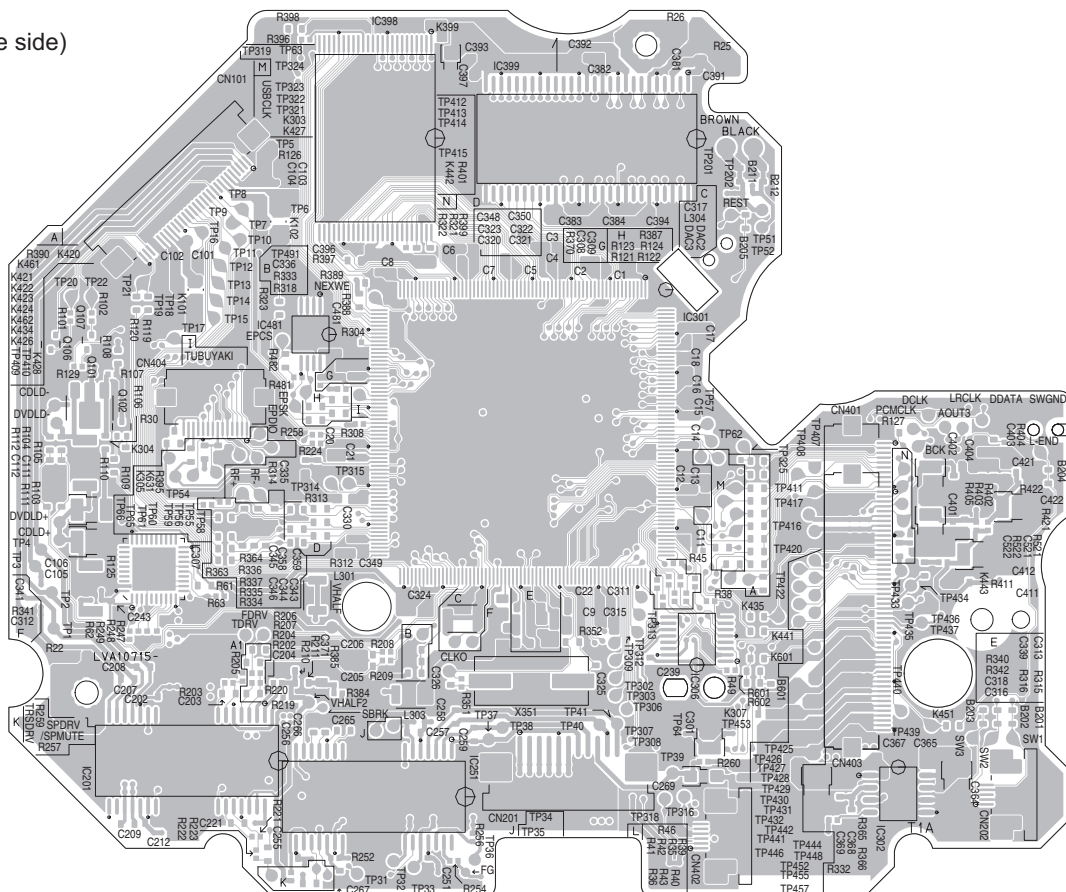
Lead free solder used in the board (material : Sn-Ag-Cu, melting point : 219 Centigrade)

Lead free solder used in the board (material : Sn-Cu, melting point : 230 Centigrade)

(forward side)



(reverse side)



JVC

Victor Company of Japan, Limited

Mobile Entertainment Business Group Mobile Entertainment Category 10-1, 1chome, Ohwatari-machi, Maebashi-city, Gumma-ken, 371-8543, Japan

(No.MA320SCH)



Printed in Japan
VPT